

15/25/28kV Deadbreak Insulating Cap

Product Data Sheet

The Richards 15/25/28kV Deadbreak Insulating Cap provides a means to insulate 600 or 900A 15/25/28kV Deadbreak interfaces (IEEE 386, Interface 11). The Deadbreak Insulating Cap is available with a molded Aluminum contact (P625IC) or molded Copper contact (P925IC).

The Deadbreak Insulating Cap is supplied with a 48" #12 AWG tinned copper ground wire and comes standard with a capacitive test point for system operators to test for voltage using suitable equipment.

By default, caps come with a loose threaded stud.

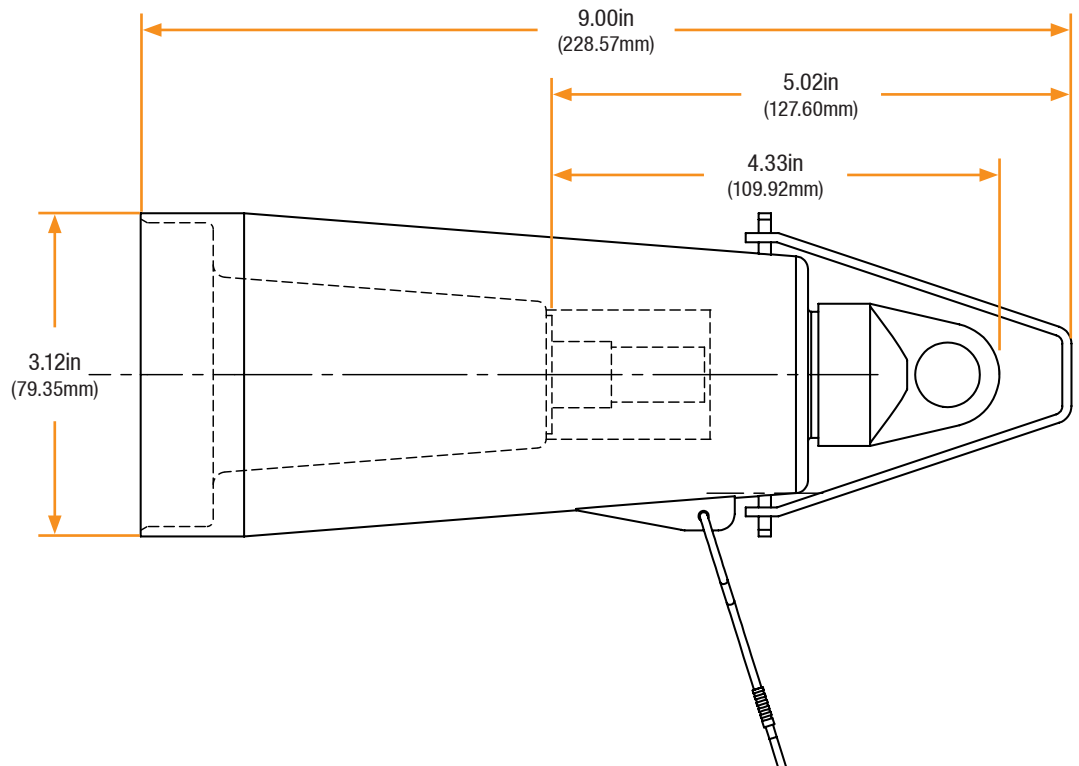
To order with a factory-installed threaded stud, add "-S" to the part number.



Features

- 100% EPDM Composition
- Injection Molded & Peroxide-Cured
- Made in the USA
- Fully-Shielded/Deadfront
- Submersible
- Optional Capacitive Test Point

Basic Dimensions



15/25/28kV Deadbreak Insulating Cap

Installation

15/25/28kV Deadbreak Insulating Cap installation is covered by:
RP-II-IC

Related Products

P625HIP-STUD

15/25/28kV Aluminum Threaded Stud

P925HIP-STUD

15/25/28kV Copper Threaded Stud

P625HIP

15/25/28kV Aluminum Insulating Plug

P925HIP

15/25/28kV Copper Insulating Plug

P625CPR

15/25/28kV 600A Deadbreak Connecting Plug

P925CPR

15/25/28kV 900A Deadbreak Connecting Plug

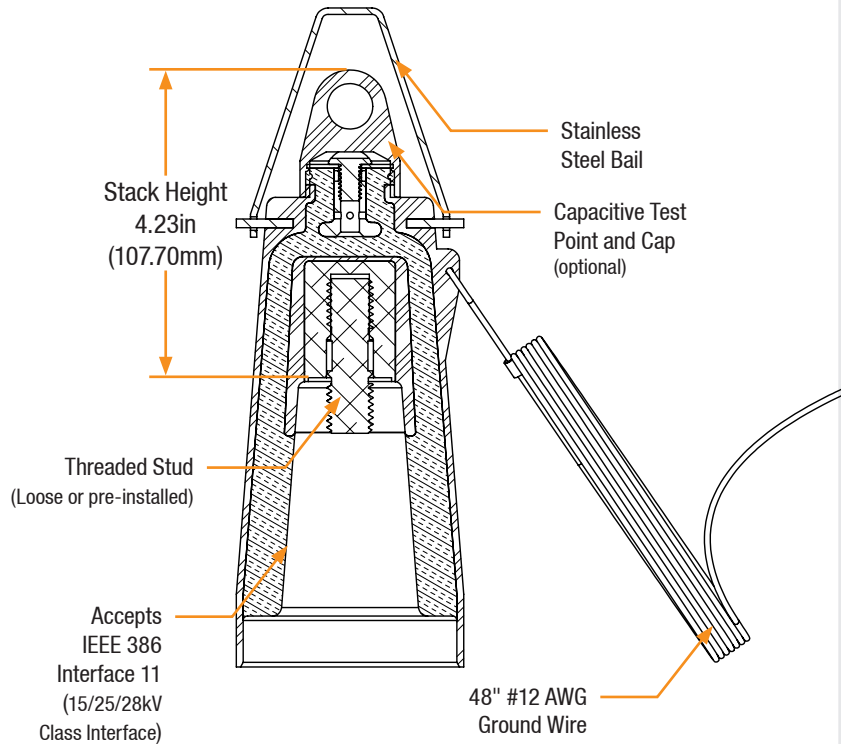
AB SERIES

15/25/28kV Apparatus Bushings - all types

JD SERIES

15/25/28kV Deadbreak Junctions - all types

Detail View



Production Testing

IEEE requires a Partial Discharge test and choice between AC withstand and Impulse. Richards runs 3/3 tests on **all** Medium Voltage products governed by IEEE 386.[®]

100% Routine Electrical Test:

- Partial Discharge
- AC Withstand
- Impulse Withstand

Product Ratings

Voltage Ratings	
Maximum Voltage Rating – (phase to ground)	16.2kV
Corona Voltage Level – (partial discharge extinction voltage)	22kV [®]
AC Withstand – (1 minute)	45kV
Impulse-Withstand Voltage – (BIL)	125kV BIL

Continuous Current Ratings	
Aluminum	600A
Copper	900A

Short-Time Current Ratings	
Aluminum	40kA, 10c. and 10kA, 3s. [®]
Copper	40kA, 10c. and 10kA, 3s.

The 15/25/28kV Deadbreak Insulating Cap is qualified to the following industry standards:

- IEEE Std 386: For Separable Insulated Connector Systems
- ANSI C119.4: For Electric Connectors
- IEEE Std 592: For Exposed Semiconducting Shields

[®] Exceeds IEEE 386 requirement