

# 15/25/28kV Bushing Extender

Product Data Sheet

Richards 15/25/28kV 600A (P625BE) and 900A (P925BE) Bushing Extender provides an insulated, fully shielded connection between an apparatus bushing and another 15/25/28kV Deadbreak interface connection.

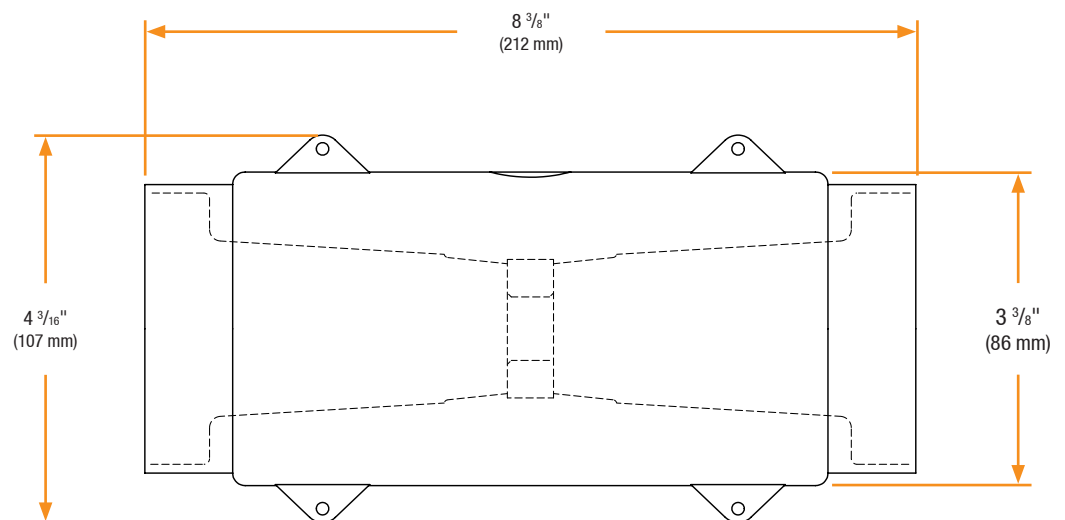
Deadbreak Bushing Extenders can be used for spacing purposes as well as for accommodating other 15/25/28kV Deadbreak accessories.



## Features

- 100% EPDM Composition
- Injection Molded & Peroxide-Cured
- Made in the USA
- Fully-Shielded/Deadfront
- Submersible

## Basic Dimensions



# 15/25/28kV Bushing Extender

## Installation

15/25/28kV Bushing Extender installation is covered by:  
**RP-II-BE**

## Related Products

### P625HIP-STUD

15/25/28kV Aluminum Threaded Stud

### P925HIP-STUD

15/25/28kV Copper Threaded Stud

### P625HIP

15/25/28kV Aluminum Insulating Plug

### P925HIP

15/25/28kV Copper Insulating Plug

### P615ETP

15kV Elbow Tap Plug

### P625ETP

25kV Elbow Tap Plug

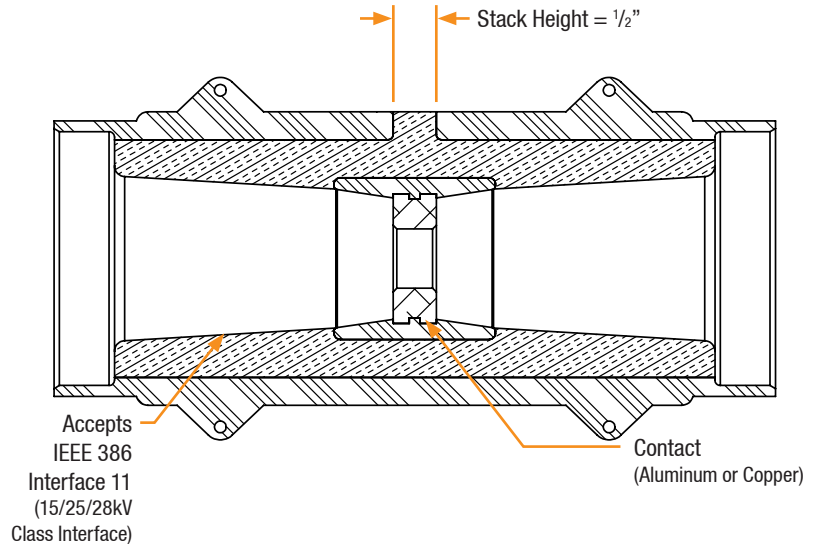
### P625CPR

15/25/28kV Aluminum Connecting Plug

### P925CPR

15/25/28kV Copper Connecting Plug

## Detail View



## Production Testing

IEEE requires a Partial Discharge test and choice between AC withstand and Impulse.

Richards runs 3/3 tests on **all** Medium Voltage products governed by IEEE 386. <sup>®</sup>

### 100% Routine Electrical Test:

- Partial Discharge
- AC Withstand
- Impulse Withstand

## Product Ratings

Voltage Ratings	
Maximum Voltage Rating – (phase to ground)	15.2kV
Corona Voltage Level – (partial discharge extinction voltage)	22kV <sup>®</sup>
AC Withstand – (1 minute)	45kV
Impulse-Withstand Voltage – (BIL)	140kV BIL <sup>®</sup>

Continuous Current Ratings	
Aluminum	600A
Copper	900A

Short-Time Current Ratings	
Aluminum	40kA, 10c. and 10kA, 3s. <sup>®</sup>
Copper	40kA, 10c. and 10kA, 3s.

The 15/25/28kV Bushing Extender is qualified to the following industry standards:

- IEEE Std 386: For Separable Insulated Connector Systems
- ANSI C119.4: For Electric Connectors
- IEEE Std 592: For Exposed Semiconducting Shields

<sup>®</sup> Exceeds IEEE 386 requirement