

Network Protector Housing

PRODUCT CATALOG
2018 EDITION

137NP

800-3500 A

313NP

800-3500 A



Trust Richards Manufacturing for all your utility needs

Richards is the largest manufacturer of Network Protectors in the world.

We manufacture ultra-reliable products to exceed industry standards. Our designs have proven themselves in the toughest environments for decades. In addition to a wide variety of makes and models, Richards offers customized builds for each of our customers' unique requirements. Our one of a kind inventory of replacement and spare components enables us to offer an enhanced level of service for our customers.

From advanced communications and monitoring systems to Relays to Network Protectors, Richards is a one-stop shop for your network products.



CONTENTS

Upgrades

All Models — D-Design Gasket Enclosure System	1
All Models — Door Latch, Outside Link Box & Outside Fuse Box	2

137 NP Series

800-1875 A

Housing (Inside & Outside Views)	4
Base Terminal & Stud Blocks	5
Top Terminals	6
Quick Disconnect Terminal	7
Handle with Gears Assembly	8
Hinge Assembly & Sight Glass Kit	9
Glass Indicator Assembly	10
Insulation Barriers	11
Handle Position Indicator	12

2500-3500 A

Housing (Inside & Outside Views)	14
Base Terminal & Stud Blocks	15
Top Terminals	16
Quick Disconnect Terminal	17
Bus Bars Assembly	18
Hinge Assembly & Sight Glass Kit	19
Glass Indicator Assembly	20
Insulation Barriers	21
Handle Position Indicator	22

313 NP Series

800-1875 A

Housing (Inside & Outside Views)	24
Base Terminal & Stud Blocks	25
Top Terminals	26
Quick Disconnect Terminal	27
Operating Handle with Shaft Retainer	28
Bus Bars Assembly	29
Hinge Assembly & Sight Glass Kit	30
Insulation & Contact Angle	31
Manual Operating Handle Positions	32

2250-3000 A

Housing (Inside & Outside Views)	34
Base Terminal & Stud Blocks	35
Top Terminals	36
Quick Disconnect Terminal Assembly	37
Operating Handle with Shaft Retainer	38
Bus Bars Assembly	39
Hinge Assembly & Sight Glass Kit	40
Insulation & Contact Angle	41
Manual Operating Handle Positions	42

3500 A

Housing (Inside & Outside Views)	44
Base Terminals & Stud Blocks	45
Top Terminals	46
Quick Disconnect Terminal Assembly	47
Operating Handle with Shaft Retainer	48
Bus Bars Assembly	49
Hinge Assembly & Sight Glass Kit	50

Insulation Assembly & Contact Angle51
Manual Operating Handle Positions52

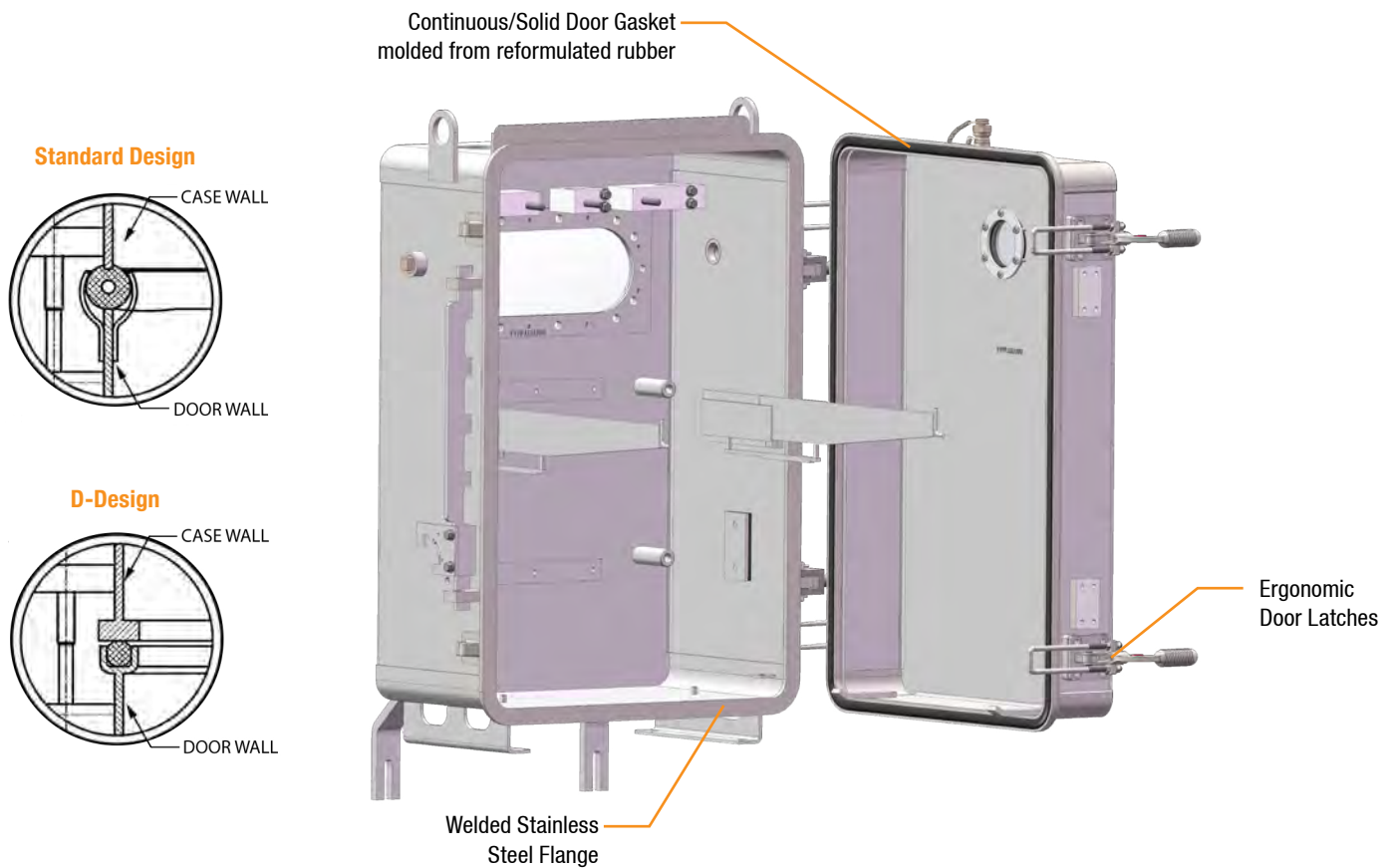
Reference

Valves, Fittings, & Fixtures 54
Index57

Richards is committed to engineering innovative solutions that make installation simpler and more reliable. The following upgrades are a few of the unique solutions we offer for our Network Protector products. Each are available as add-ons to any standard Network Protector. Please contact your local sales representative or the factory to learn more.

D-Design Gasket Enclosure System

The **D-Design System** is a major improvement in Network Protector enclosure performance. Traditional gasket systems form a seal by compressing a tubular gasket against a “knife-edge”. Several factors, including over-tightening of door bolts, deformation of the gasket, and insufficient maintenance, make water ingress a common occurrence. The D-Design System combines the following features to create the most advanced and dependable Network Protector enclosure ever designed.



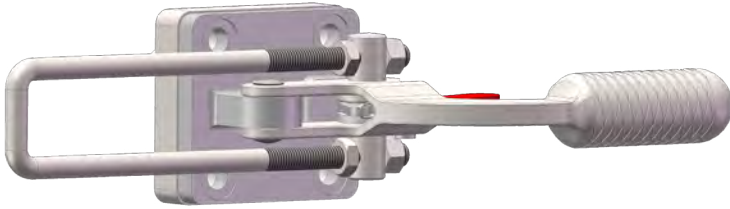
Continuous/Solid Door Gasket: Specialized molds and presses enable us to produce a continuous gasket without a seam. This eliminates a potential problem spot for water ingress. The gaskets are molded solid (as opposed to extruded) allowing us to produce gaskets with significantly tighter tolerances—tolerances not feasible with extrusions. Lastly, door gaskets can now be field-replaced without removing the door.

Reformulated Door Gasket Compound: We developed an enhanced material from which we mold our D-Design rubber gaskets. This reformulation greatly improves permanent-set, providing a more dependable gasket.

Welded Stainless Steel Flange: Instead of using the traditional “knife-edge” seal, the D-Design utilizes a welded stainless steel flange. This flange provides a wide, flat surface against which the gasket is compressed. By distributing the compressive forces, we achieve a more reliable seal.

Ergonomic Door Latches: Door bolts leave room for potential issues such as uneven/over-tightening, both of which can cause leaking. Pre-set at the factory and adjustable in the field, our door latches provide a field-friendly, ergonomic method for opening and closing the Network Protector door. They are designed to meet or exceed the strength of the door bolts and are 100% compliant with IEEE Std. C57.12.44-2005.

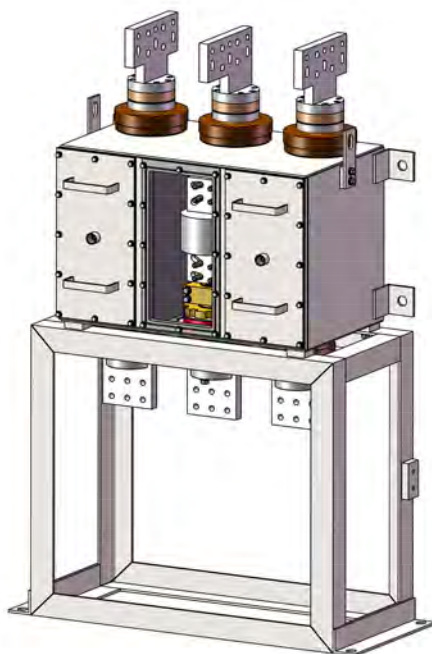
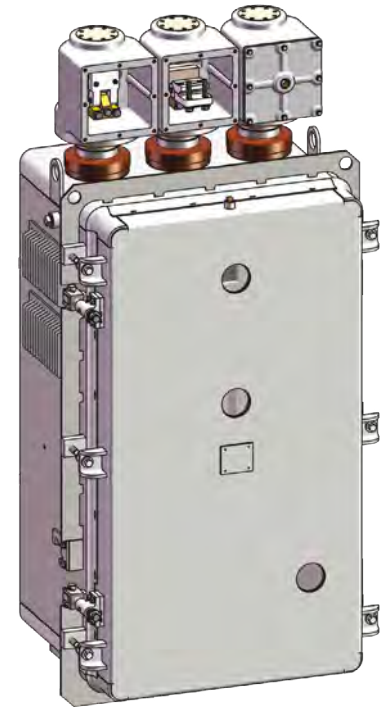
Door Latch, Outside Link Box & Outside Fuse Box



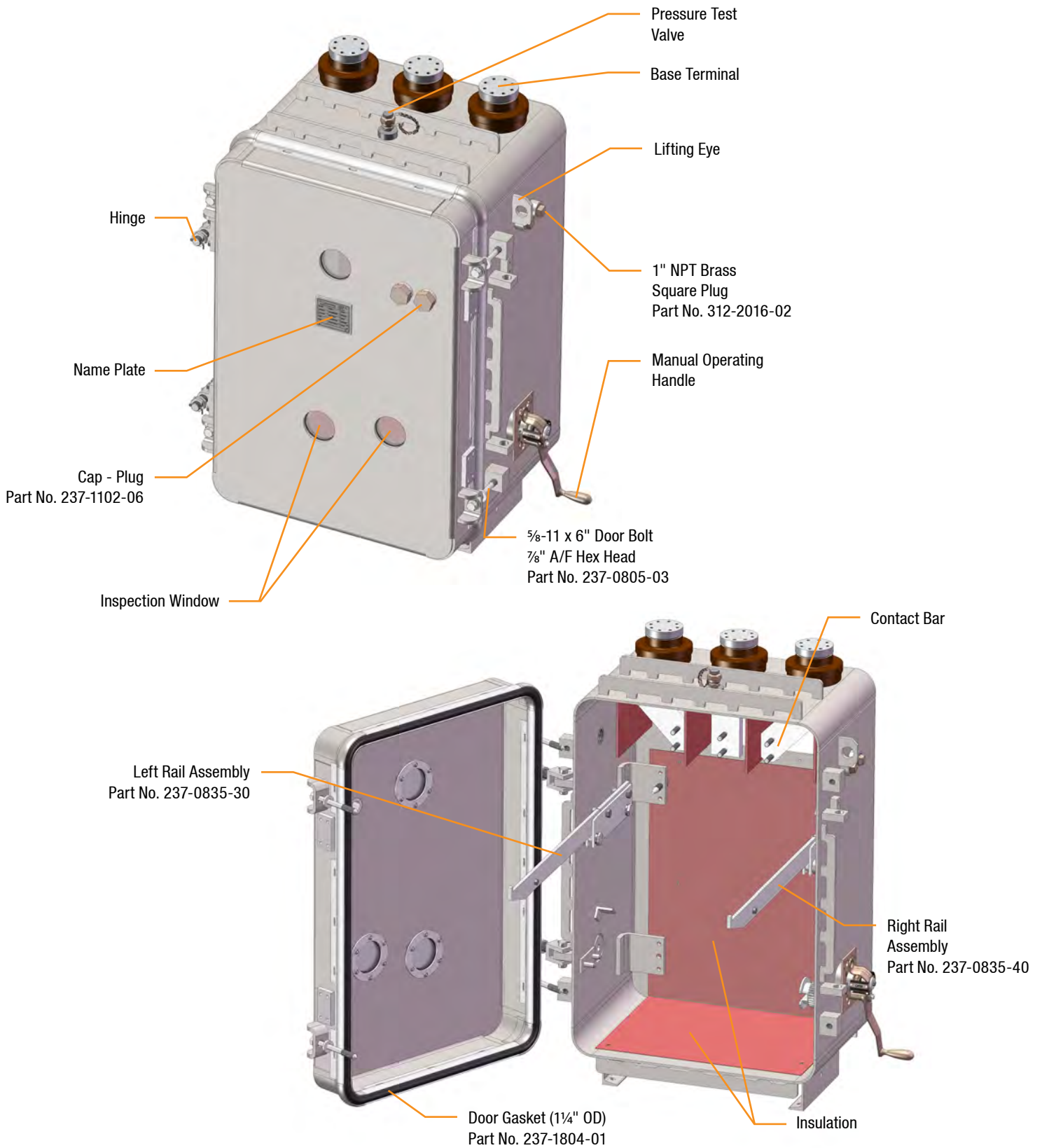
Door Latches come standard in the D-Design Gasket System but can also be implemented on traditional style Network Protector enclosures. Besides the increased repeatability of the tightening operation, the field mechanics will greatly benefit from the reduced effort and time-savings.

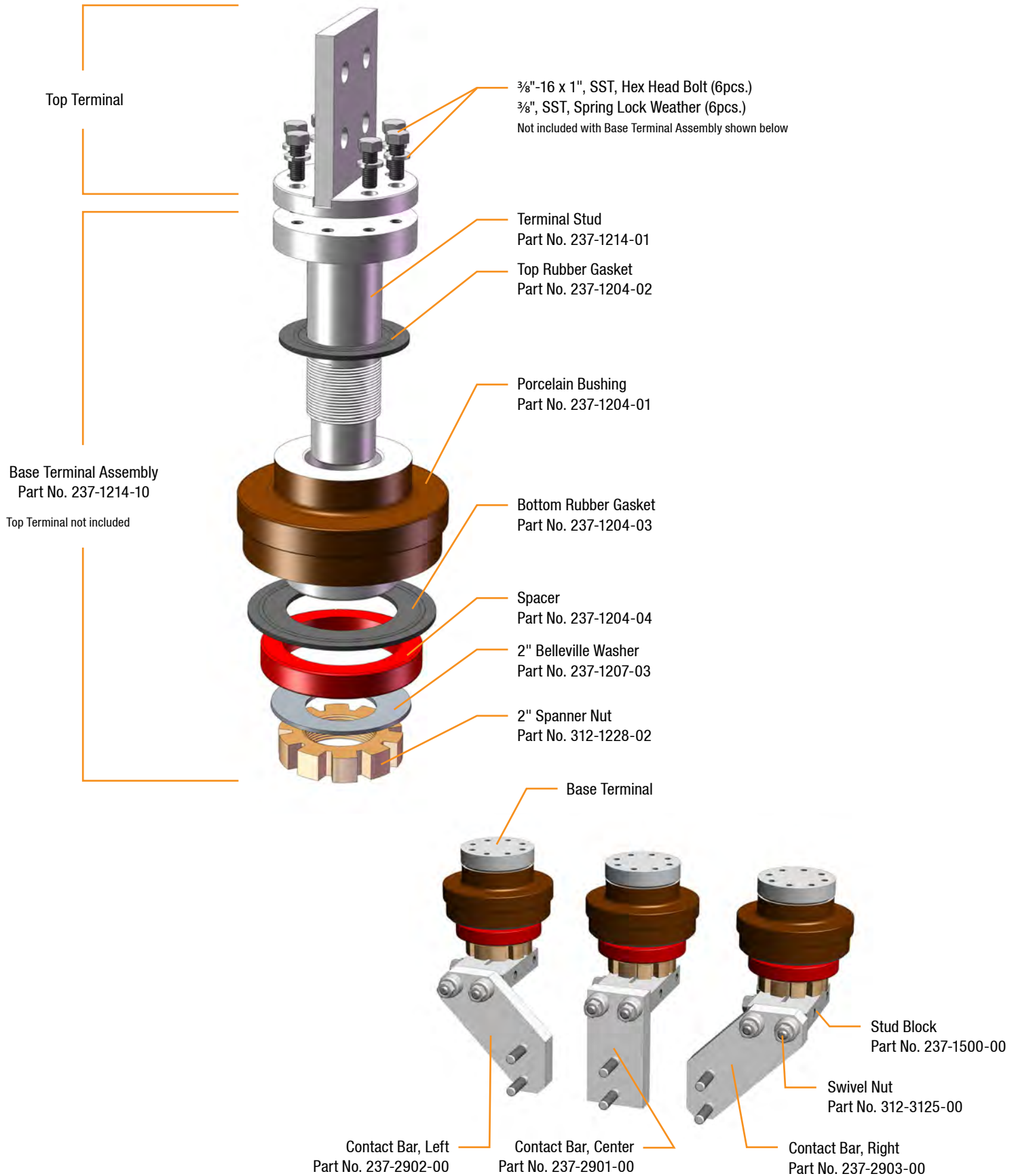
Outside Link Box: Due to changes in the National Electric Safety Code related to arc flash hazards, utility companies are required to calculate the available incident energy of Network Protectors. Those calculations are yielding results that require Personal Protective Equipment (PPE) that is cumbersome to the point of making basic Network Protector inspection/maintenance difficult. Utilities are left wondering what they can do to reduce available arc flash energies to levels that allow for more practical PPE.

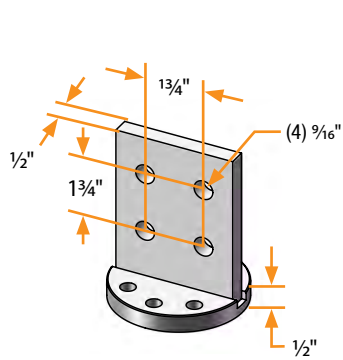
The Outside Link Box (OLB) significantly reduces the available incident energy and allows for the complete isolation of the Network Protector from the secondary network. This isolation is achieved while standing at a distance using an insulated T-wrench. Each OLB is molded from fiber glass to provide extreme mechanical strength and robust electrical insulation. With the OLB installed, Network Protector inspection and maintenance can be performed without PPE that is heavy and cumbersome.



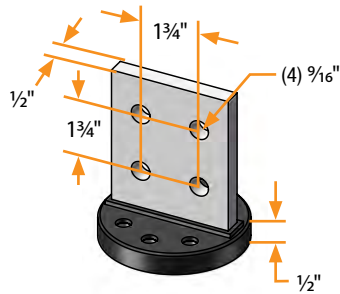
Outside Fuse Box: Some system designs require fuses housed outside of the Network Protector itself. For example, customers frequently employ Current Limiting fuses in their protection schemes. The Outside Fuse Box (OFB) is an enclosure upgrade that provides an extension of the Network Protector to install fuses. The OFB is typically welded to the top of the Network Protector housing but also available as a separately-mounted configuration. The box has a removable cover and a pressure fill valve to ensure proper seal. Multiple designs are available to fit the unique requirements of our customer base.



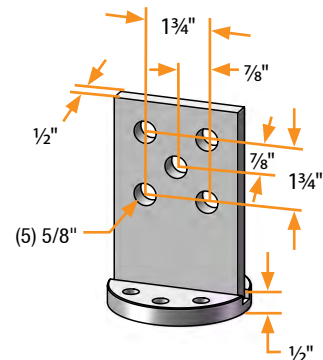




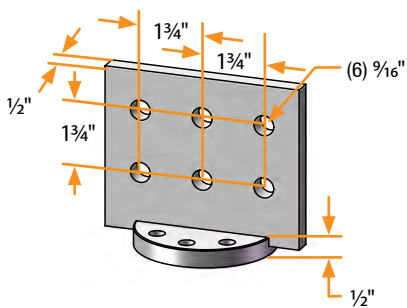
Part No. 312-1209-00



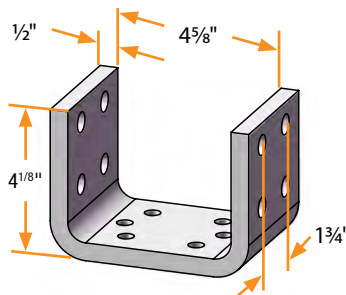
Coated PVC
Part No. 312-1334-00



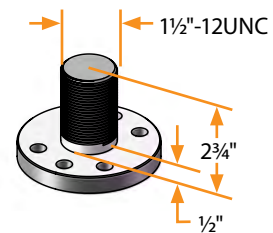
Part No. 312-1238-00



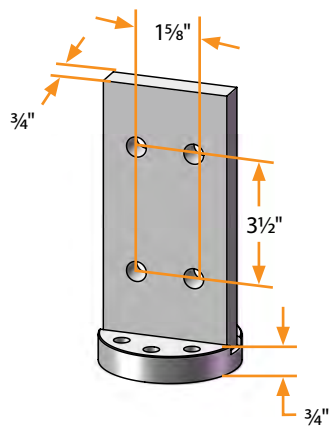
Part No. 312-1210-00



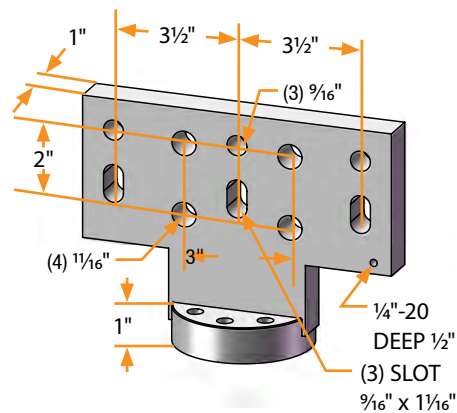
Part No. 312-1206-06



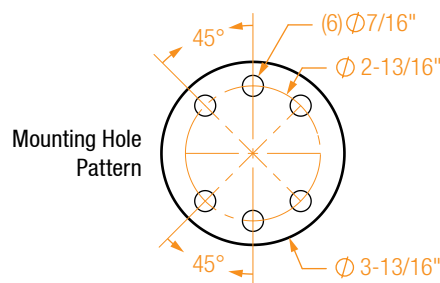
Part No. 312-1281-00



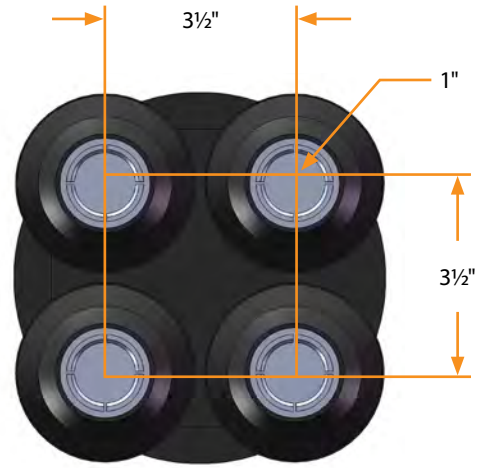
Part No. 237-1262-00



Part No. 312-1252-00



Terminal
Part No. 237-1229-10



Rubberized Washer
Part No. 312-1200-02

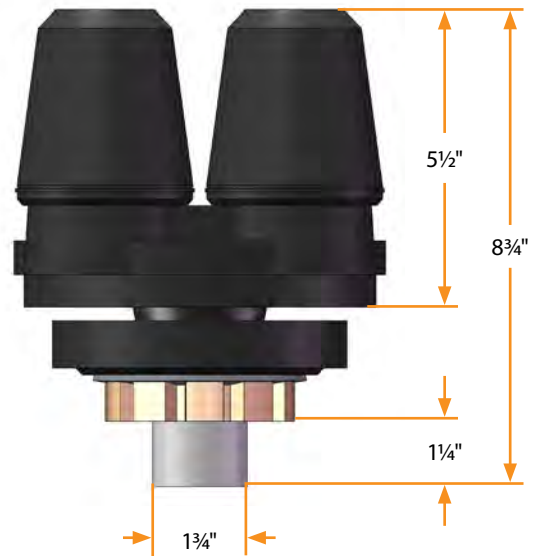
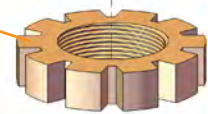
2"-12

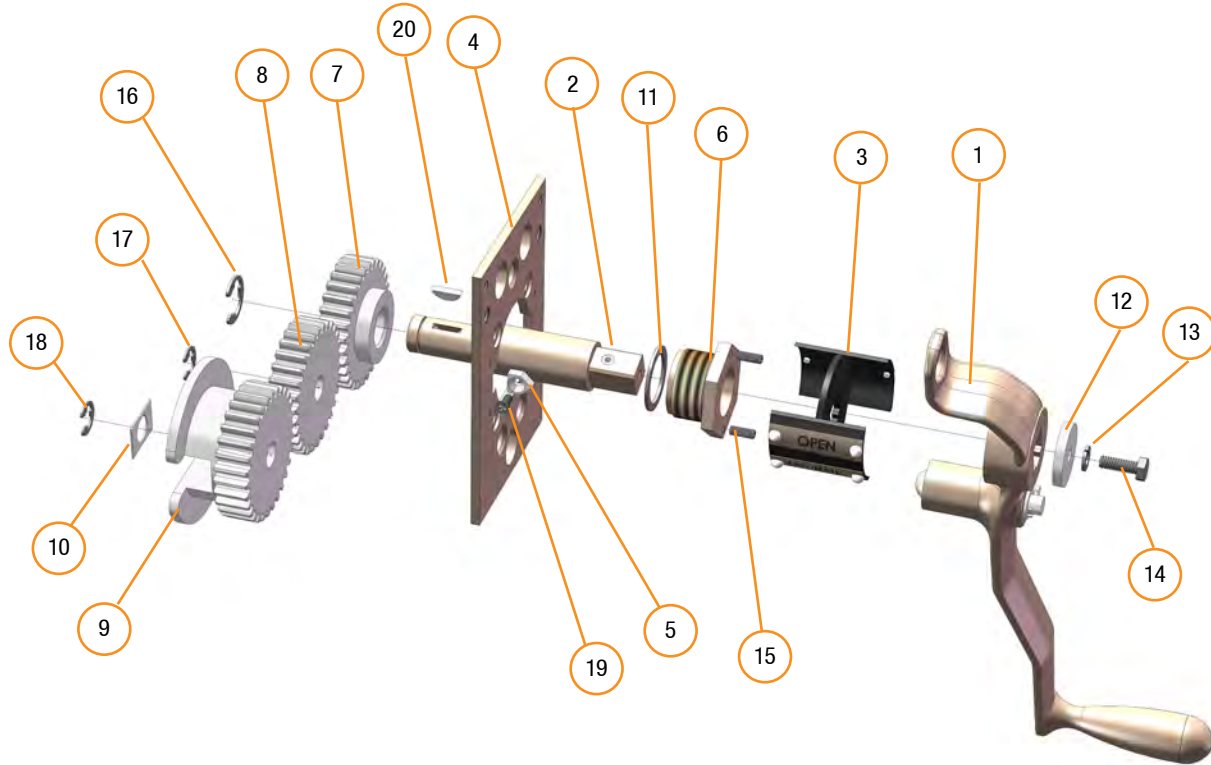


2" Belleville Washer
Part No. 237-1207-03



2" Spanner Nut
Part No. 312-1228-02

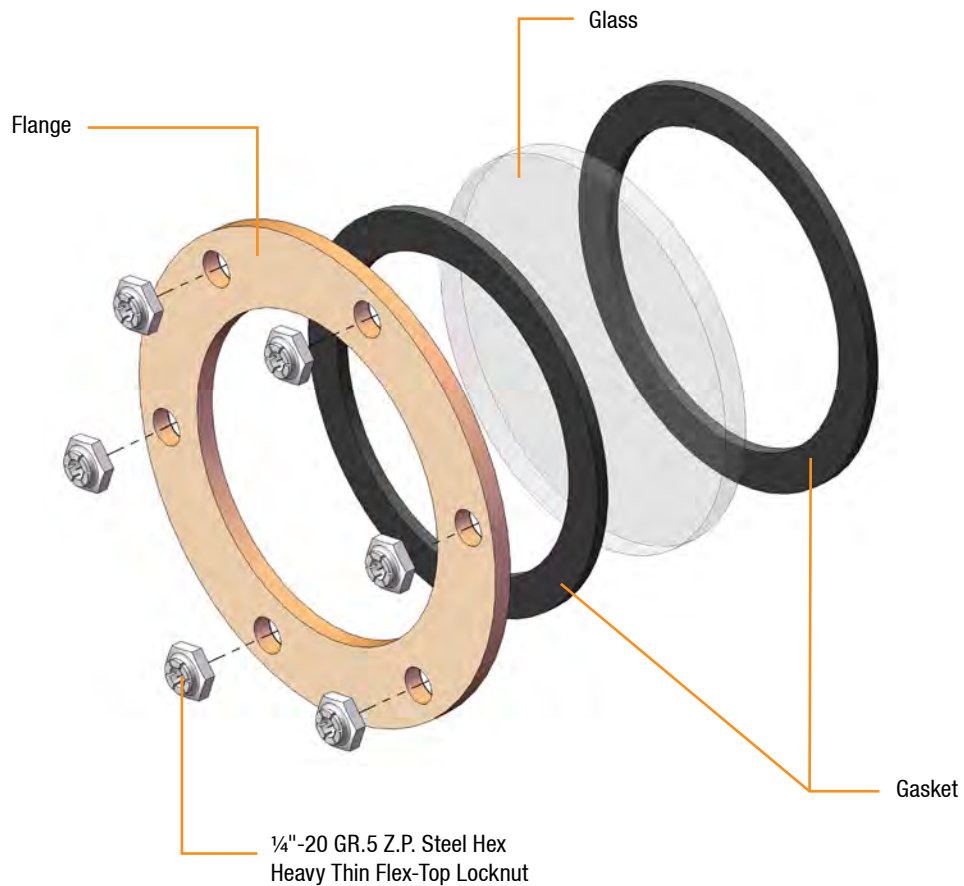
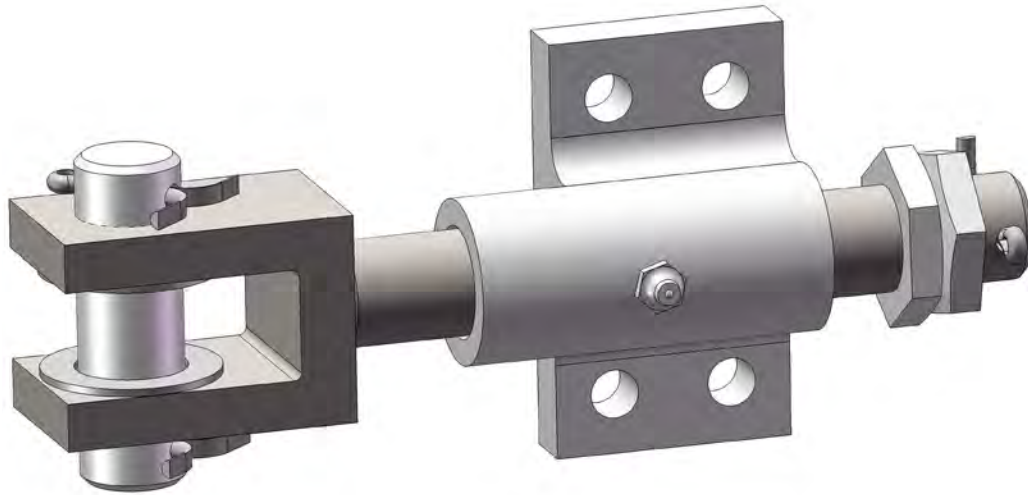




ITEM	PART NO.	DESCRIPTION
1	237-0701-01	Handle Assembly
2	237-0701-07	Shaft Assembly
3	237-0703-10	Handle Position Indicator
4	237-0701-09	Plate (handle position indicator)
5	237-0701-05	Pointer
6	237-0701-12	Packing Nut
7	237-0704-01	Gear
8	237-0704-02	Pinion
9	237-0704-03	Gear with Slot
10	237-0702-05	Square Washer
11	237-0701-10	Ring
12		Stainless Steel Flat Washer Large 1/4" x 1"
13		Stainless Steel Spring Lock Washer 1/4"
14		Stainless Steel Hex Head Cap Screw 1/4"-20 x 3/4"
15		Stainless Steel Cup Point Set Screw #10-32 x 1/2"
16		External Retaining Ring E-Style, Groove 5/8"
17		External Retaining Ring E-Style, Groove 3/8"
18		External Retaining Ring, Groove 3/8"
19		Stainless Steel Flat Head Screw #8-32 x 3/8"
20		Woodruff Key 1/8" x 5/8"

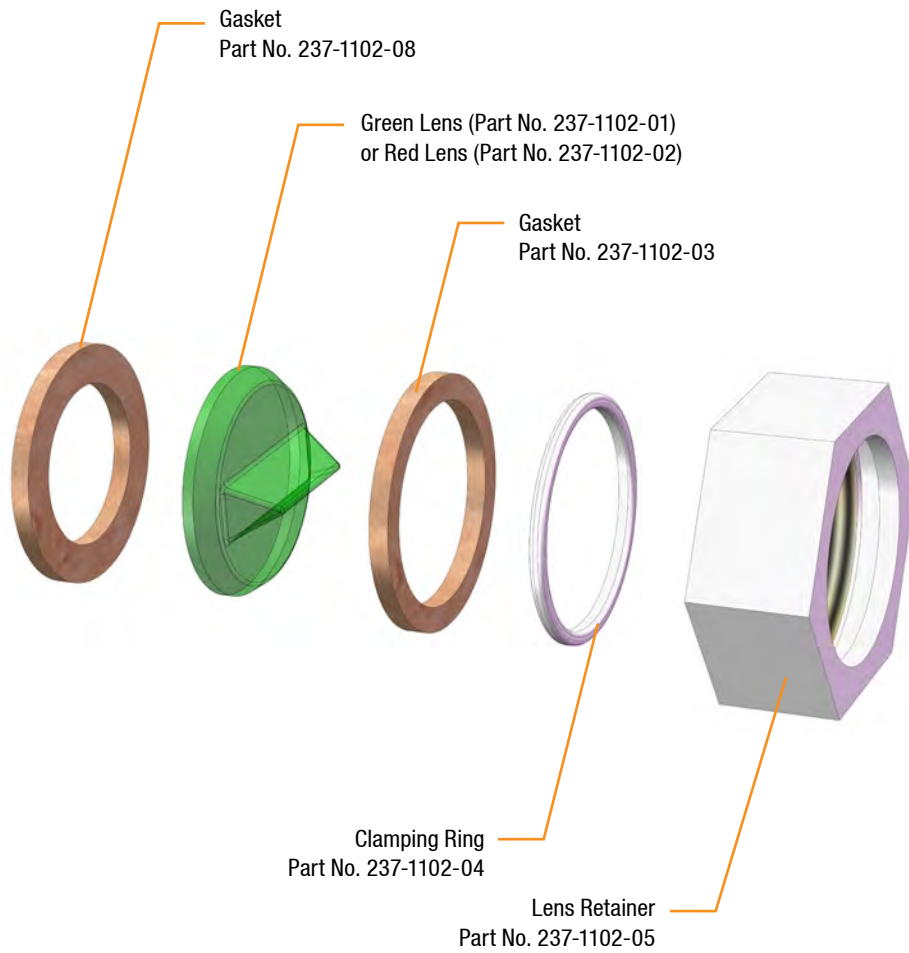
Part No. 237-1701-00 (Hinge)

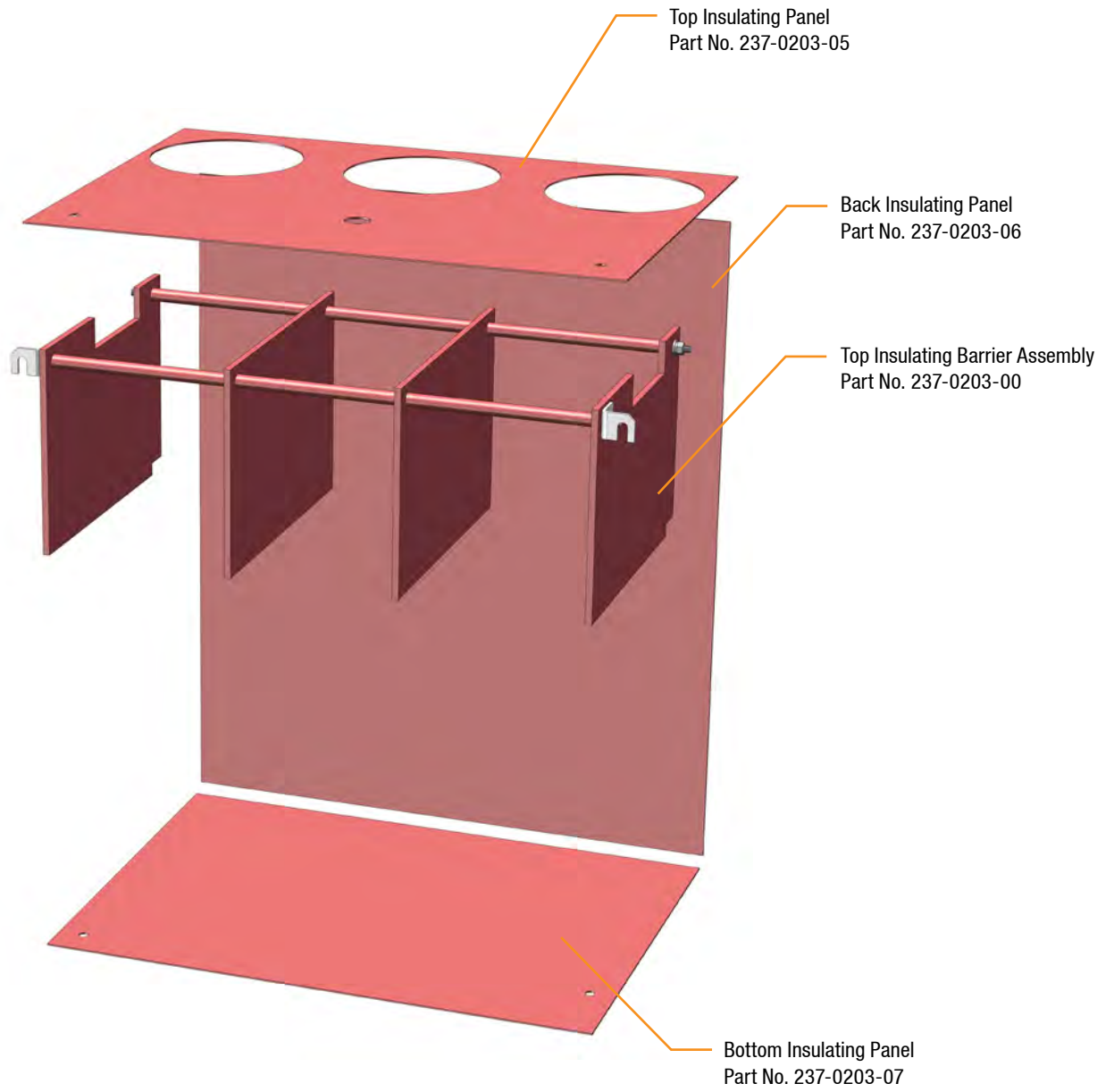
Part No. 312-1100-00 (Sight Glass)



Part No. 237-1102-00 (Green)

Part No. 237-1102-10 (Red)







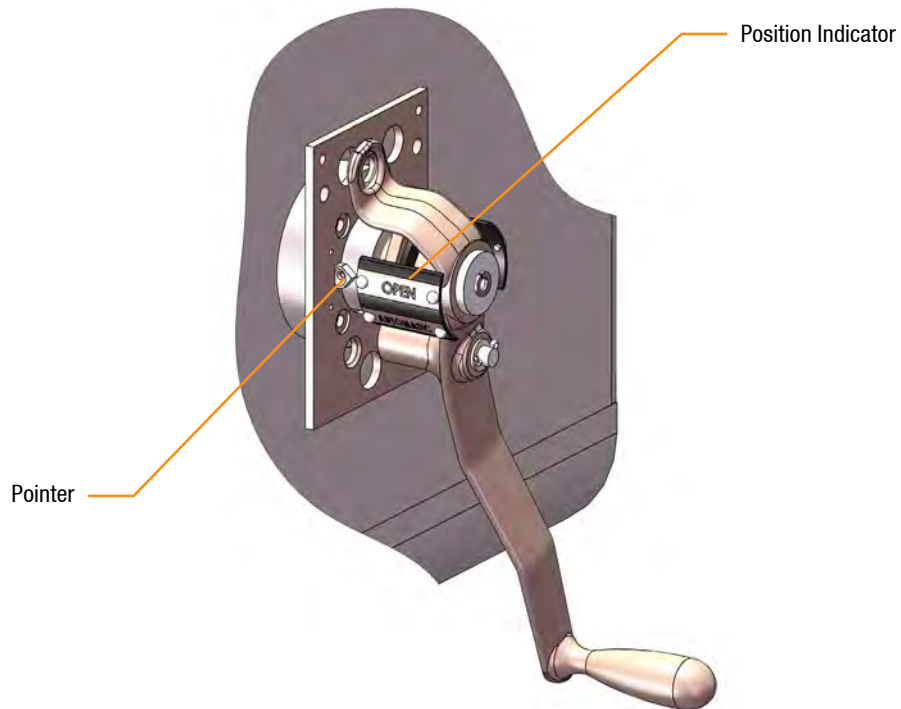
Open Position

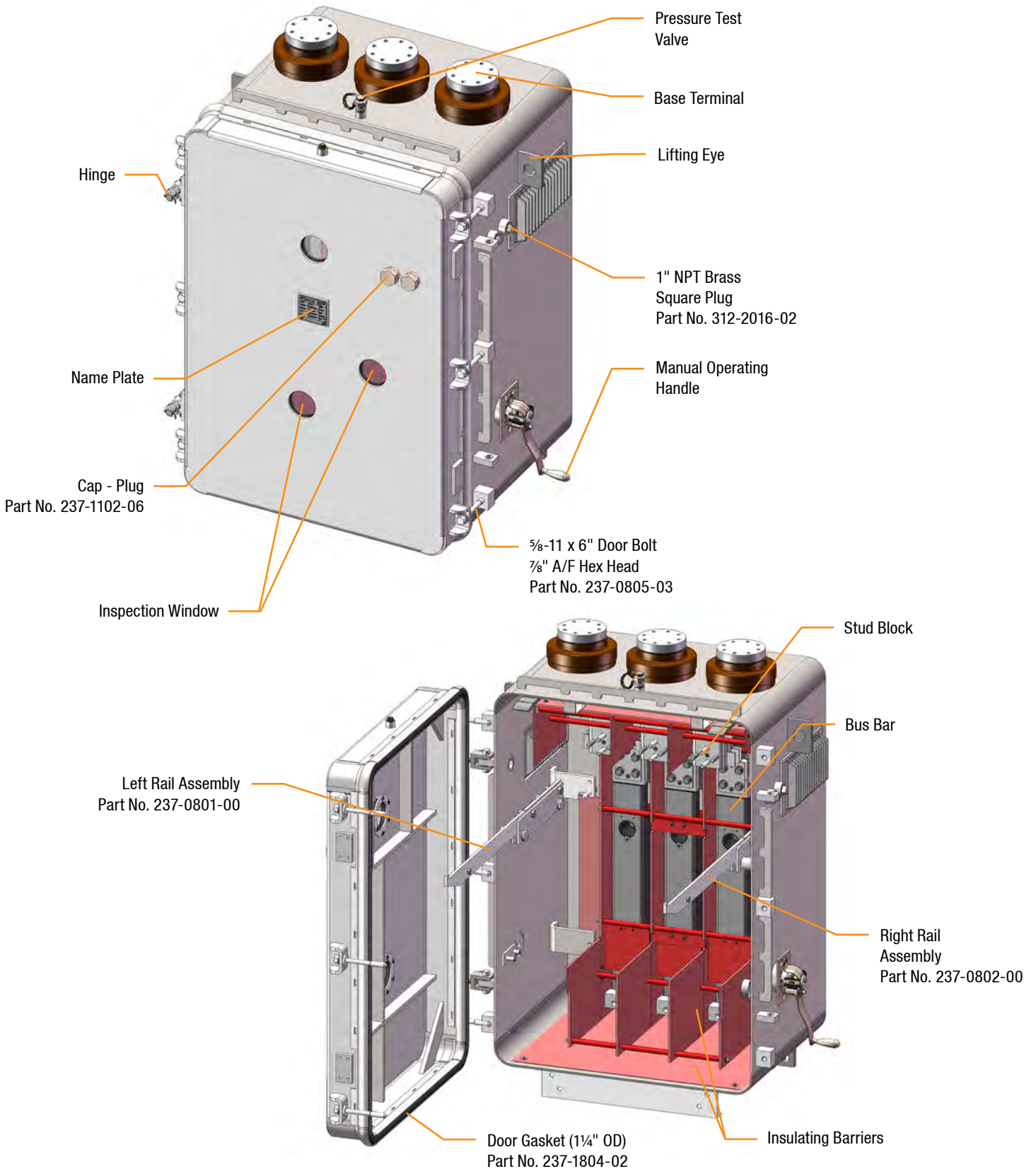


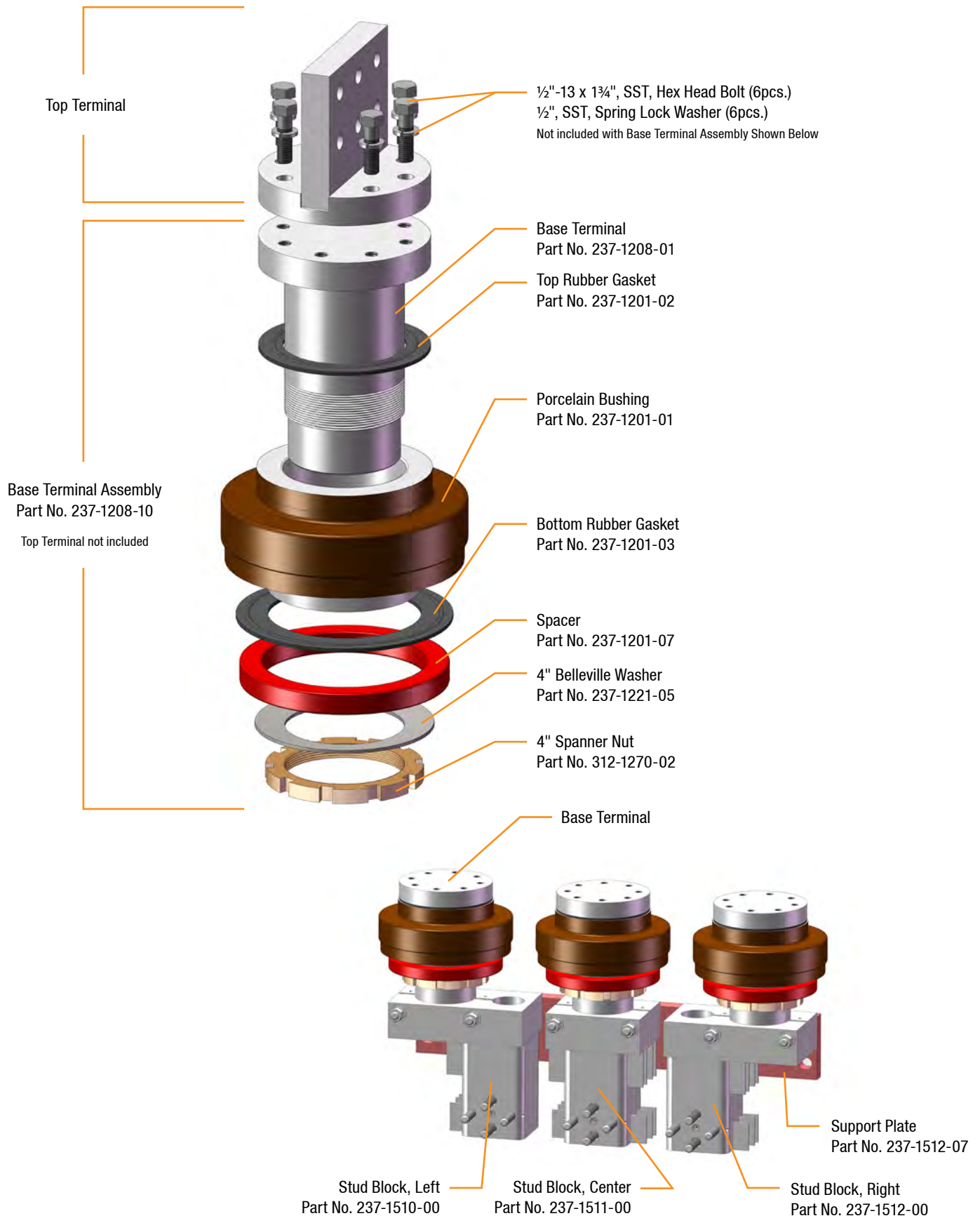
Auto Position

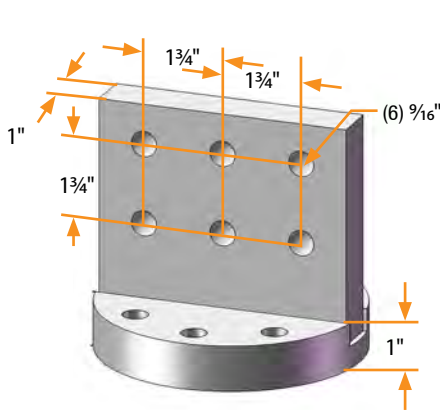


Close Position

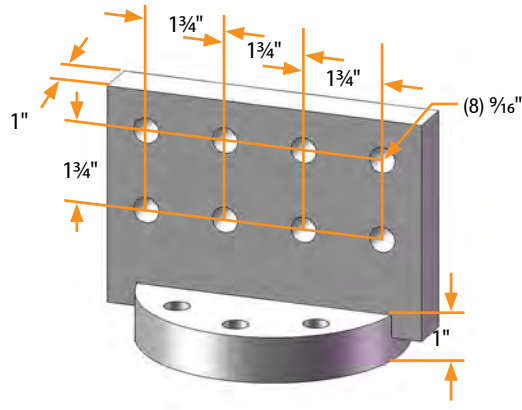




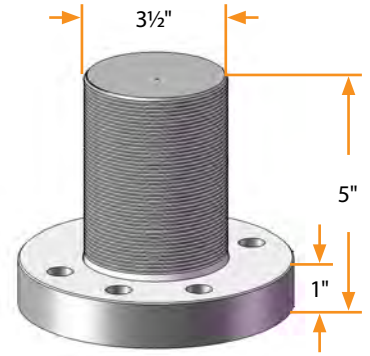




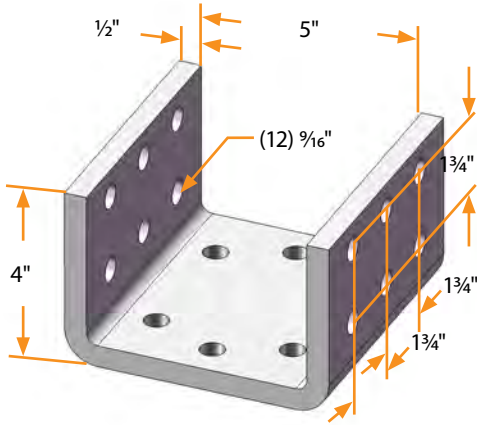
Part No. 237-1218-00



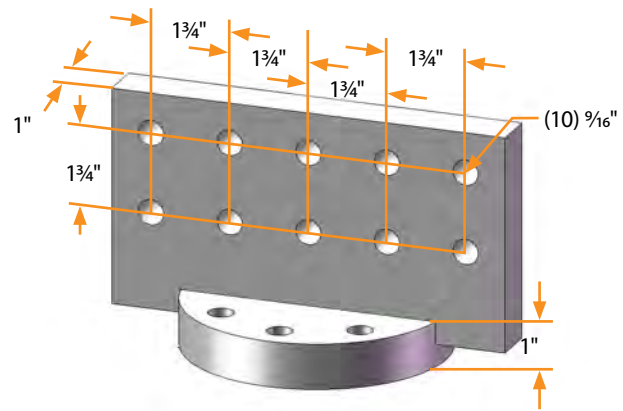
Part No. 237-1235-00



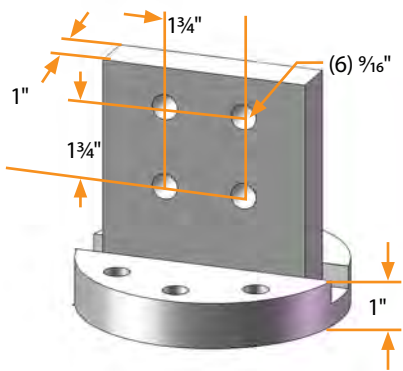
Part No. 237-1226-00



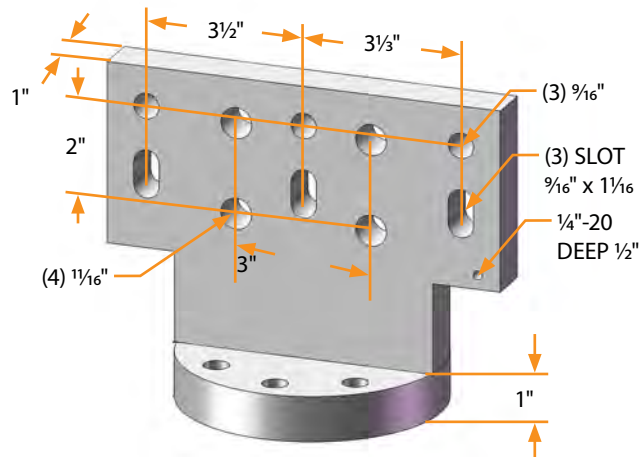
Part No. 237-1272-00



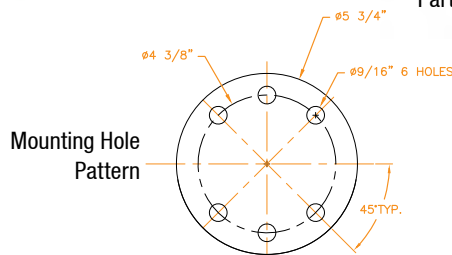
Part No. 237-1236-00

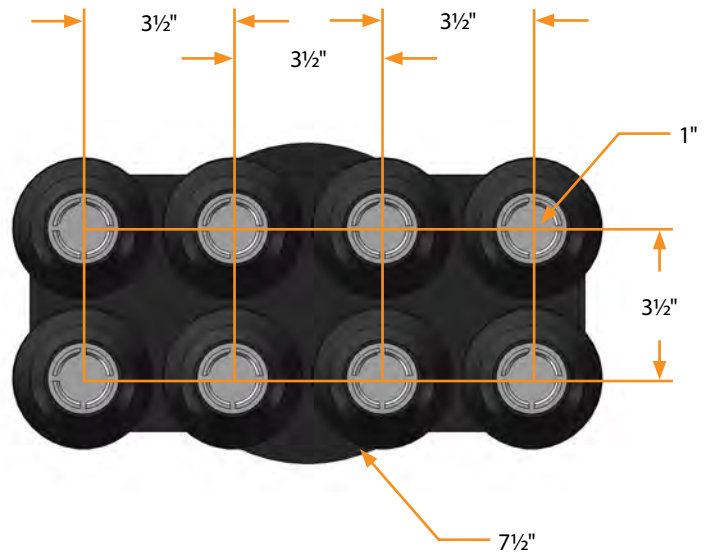


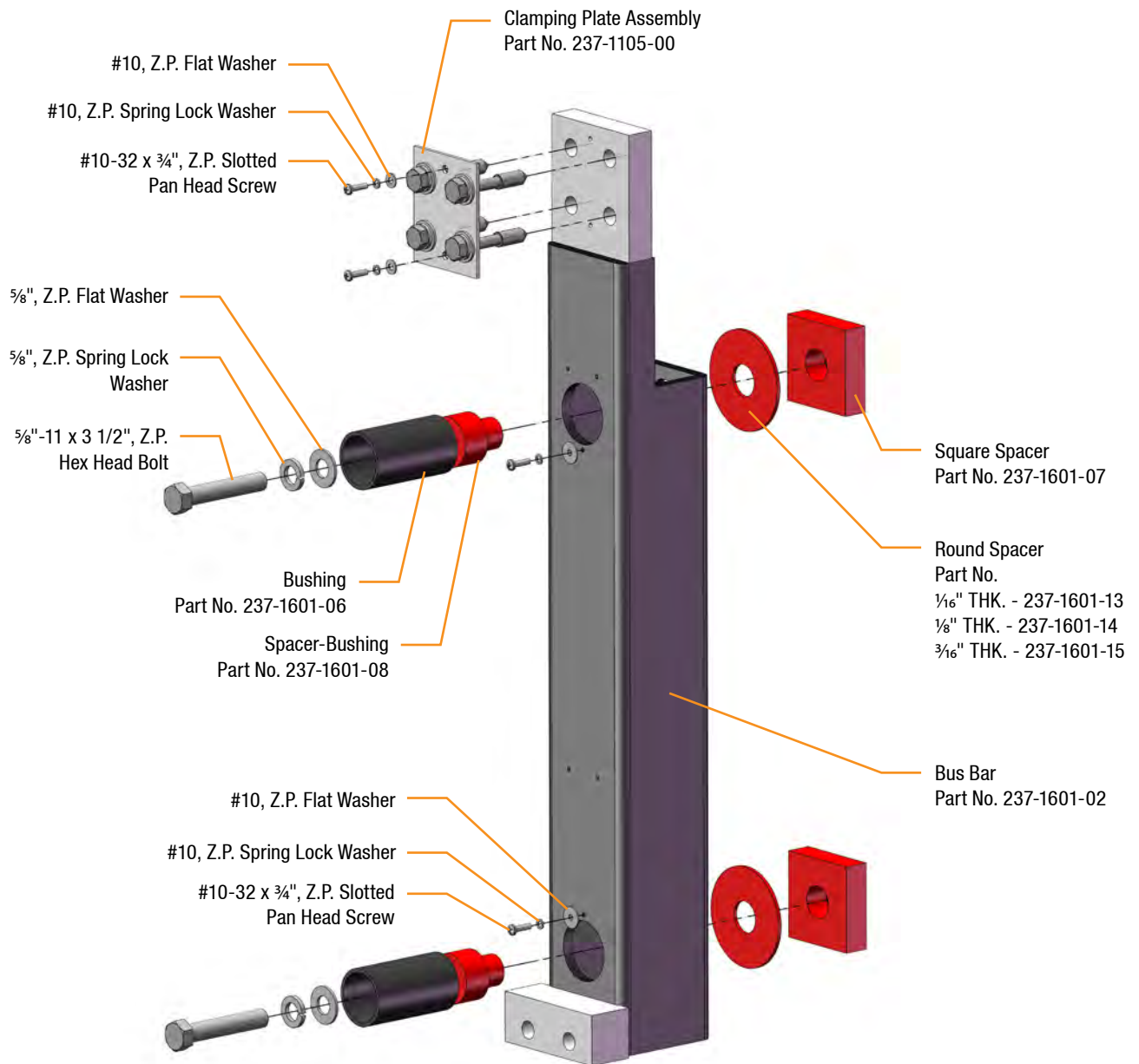
Part No. 237-1267-00



Part No. 237-1222-00

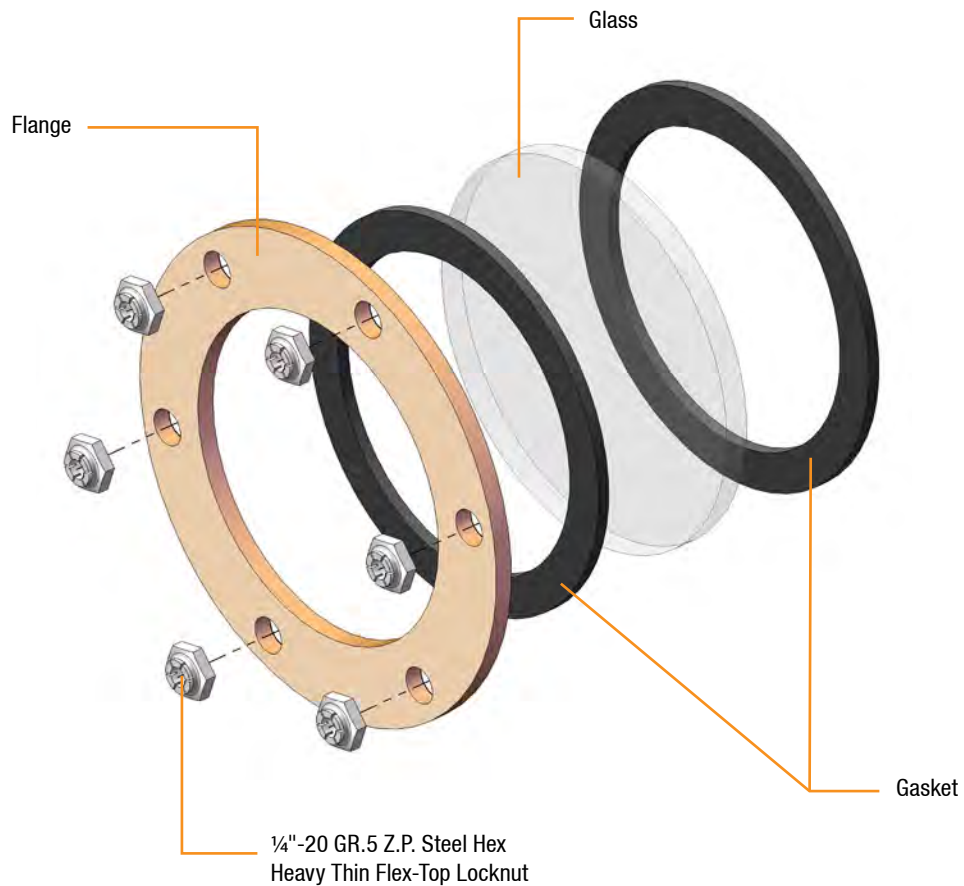
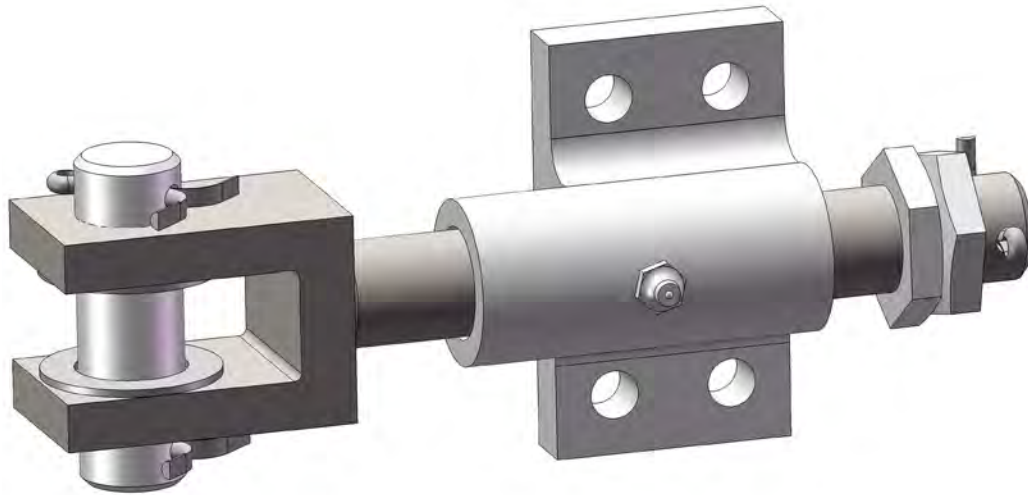






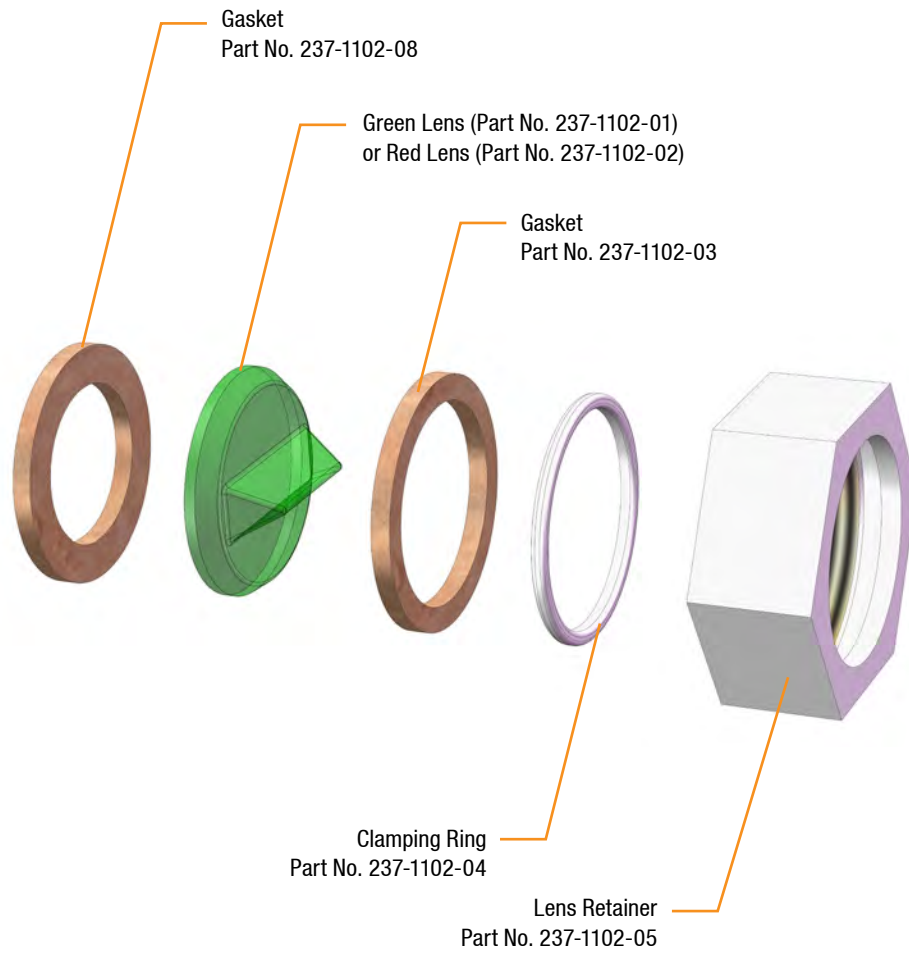
Part No. 237-1701-00 (Hinge)

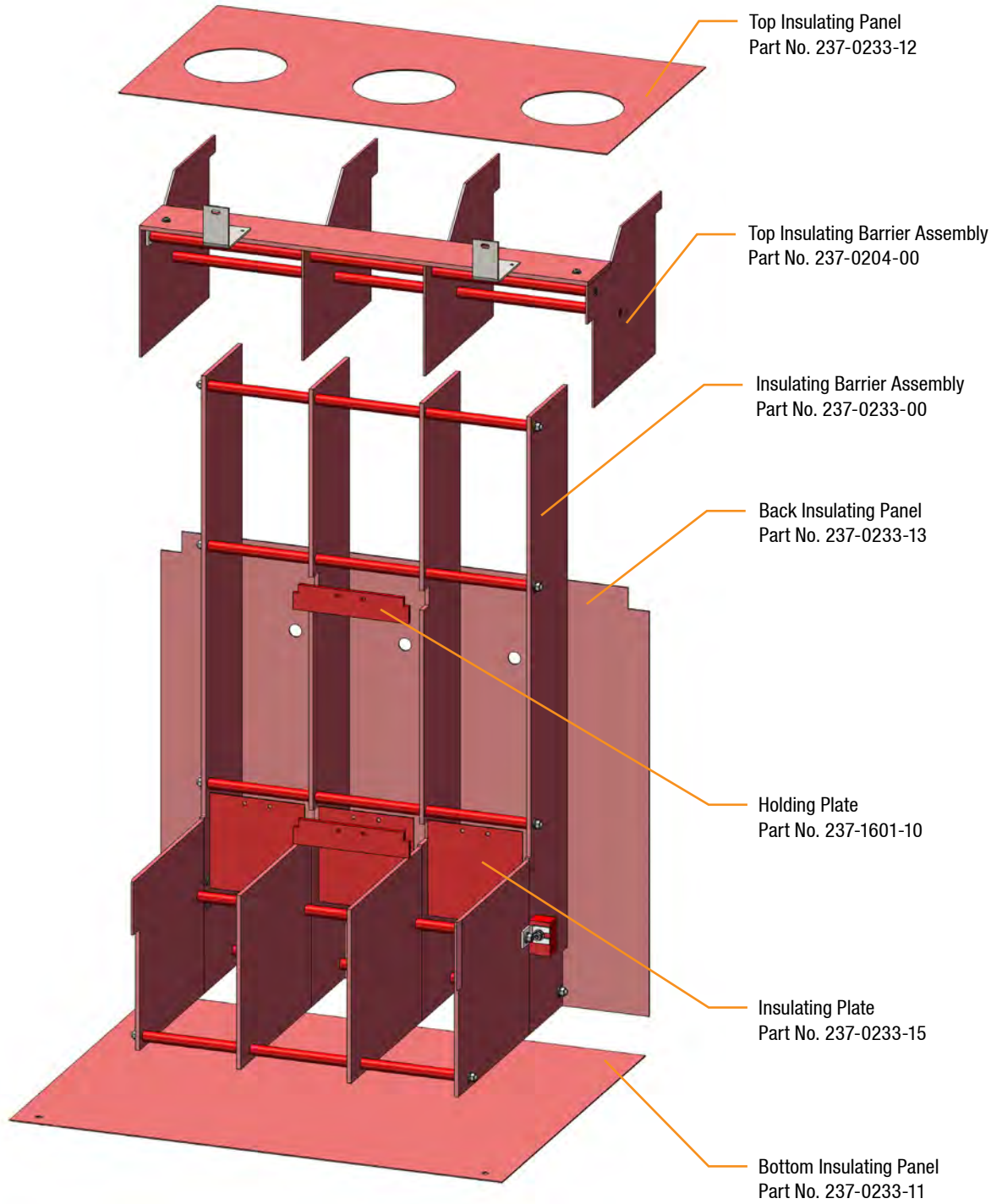
Part No. 312-1100-00 (Sight Glass)



Part No. 237-1102-00 (Green)

Part No. 237-1102-10 (Red)







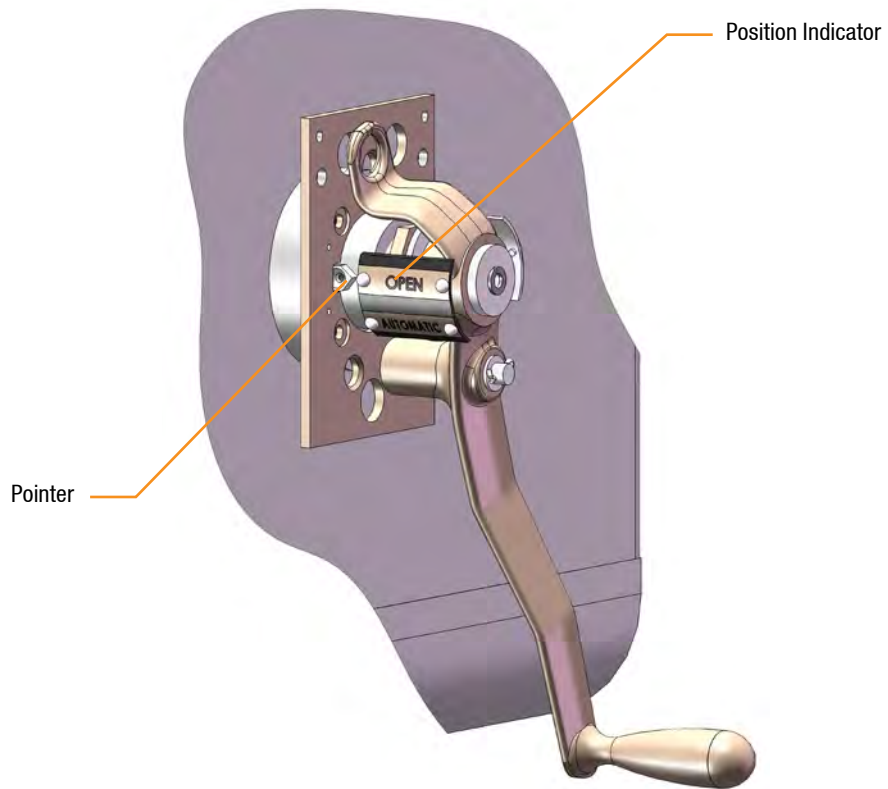
Open Position

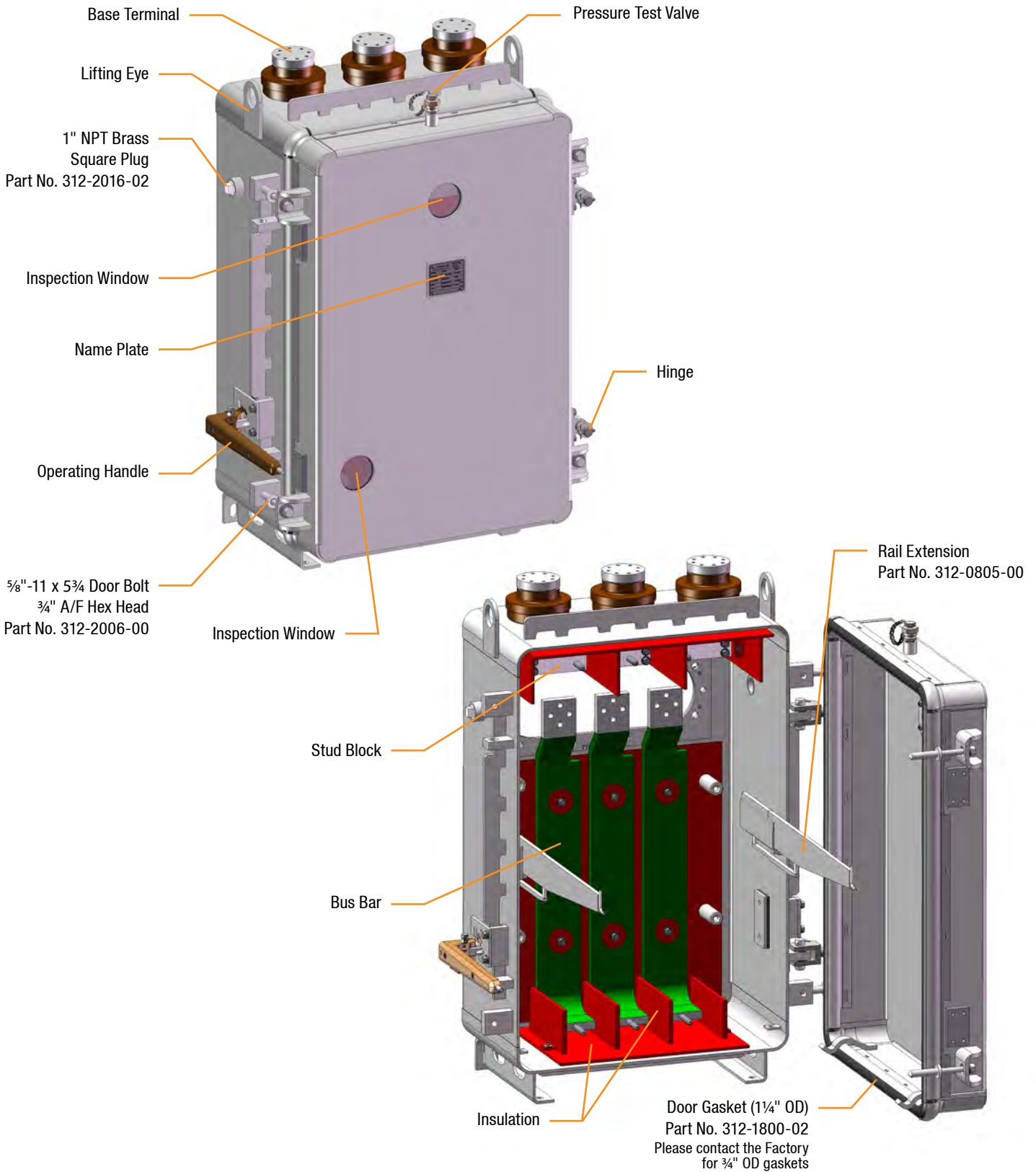


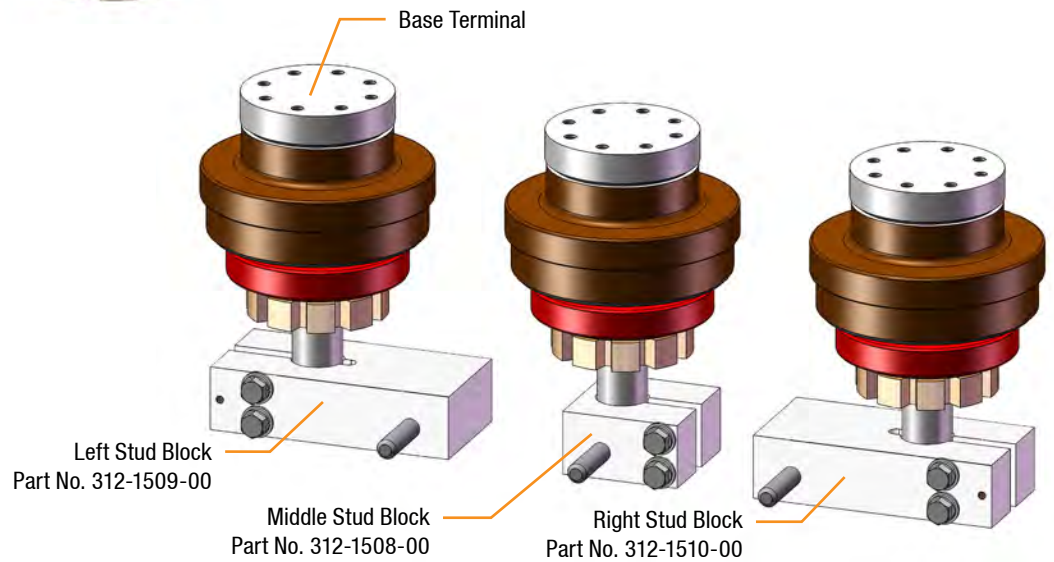
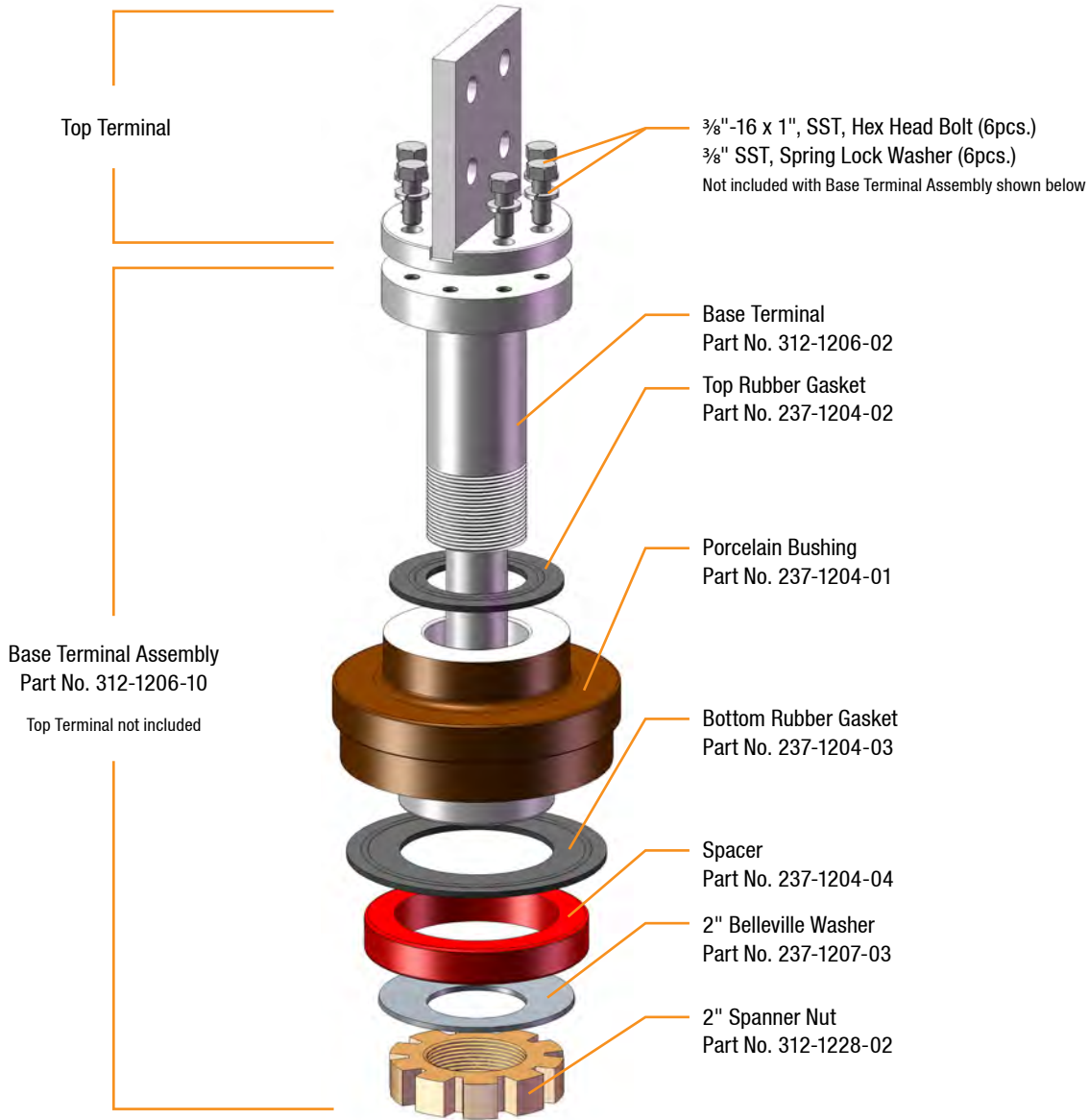
Auto Position

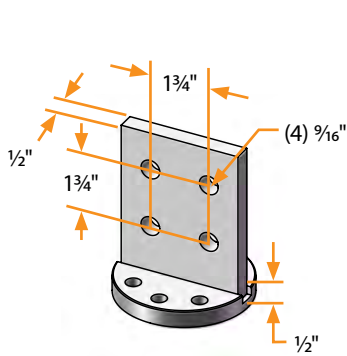


Close Position

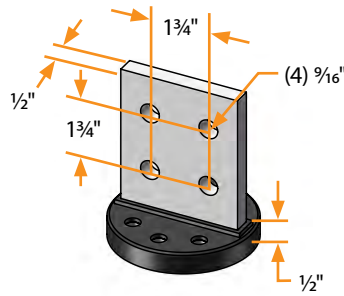




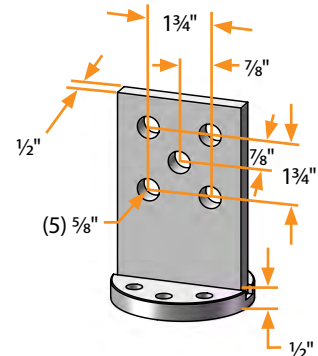




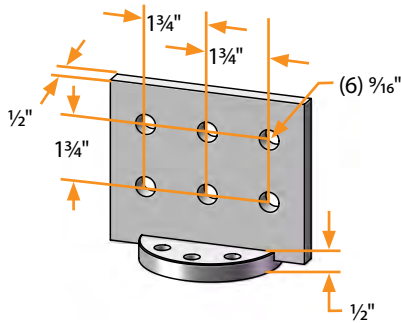
Part No. 312-1209-00



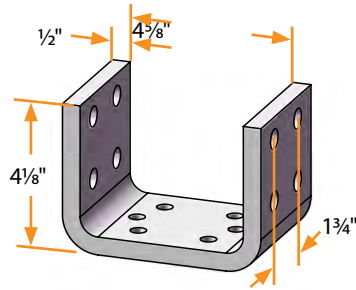
Part No. 312-1334-00



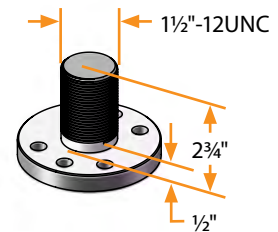
Part No. 312-1238-00



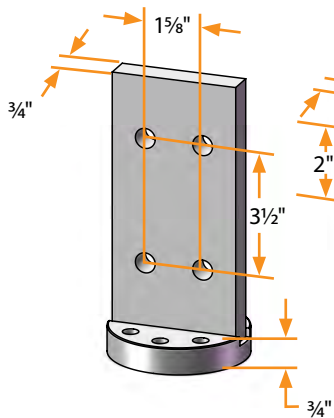
Part No. 312-1210-00



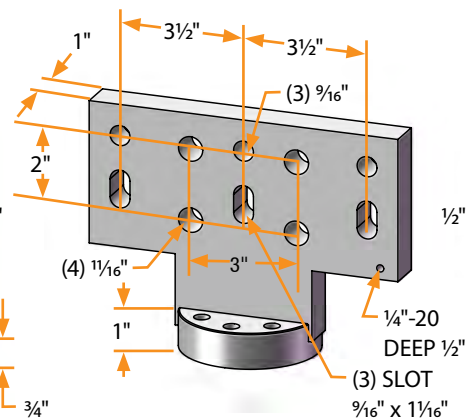
Part No. 312-1206-06



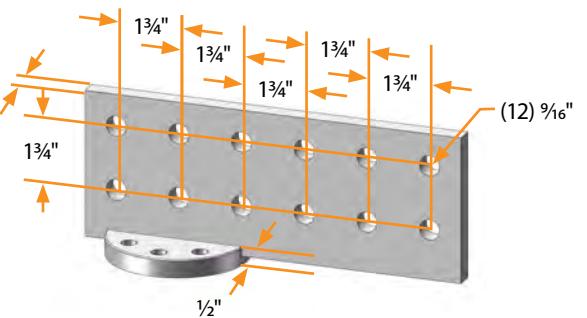
Part No. 312-1281-00



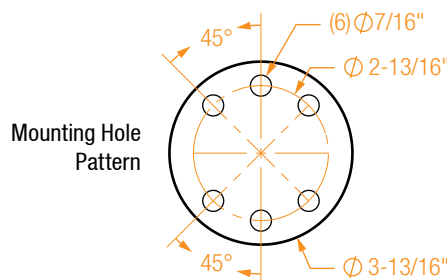
Part No. 237-1262-00

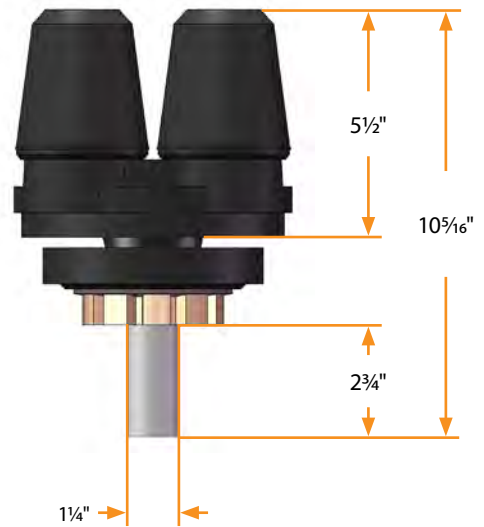
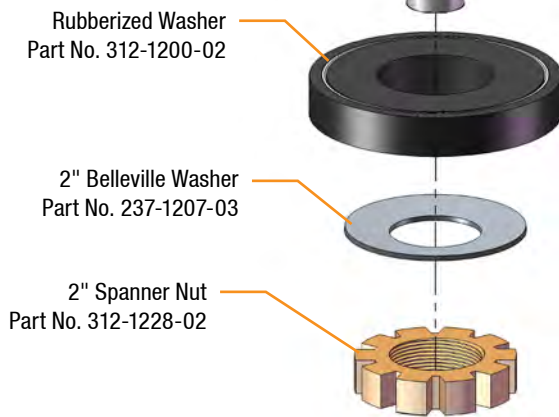
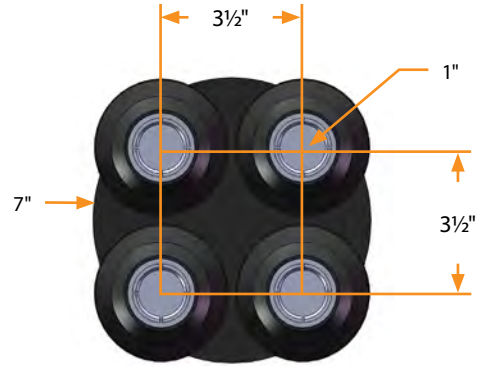


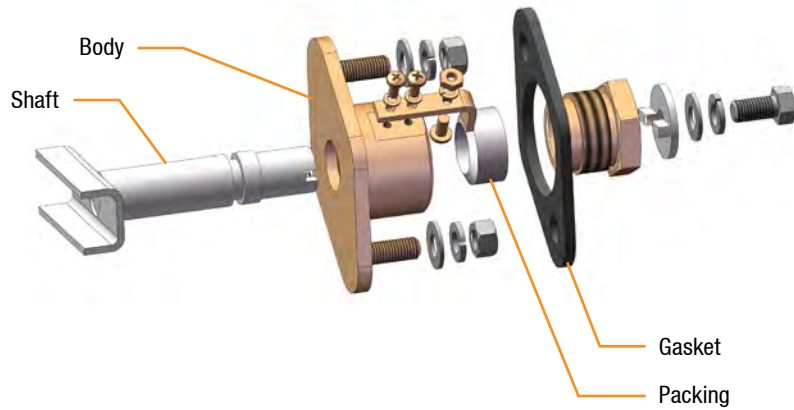
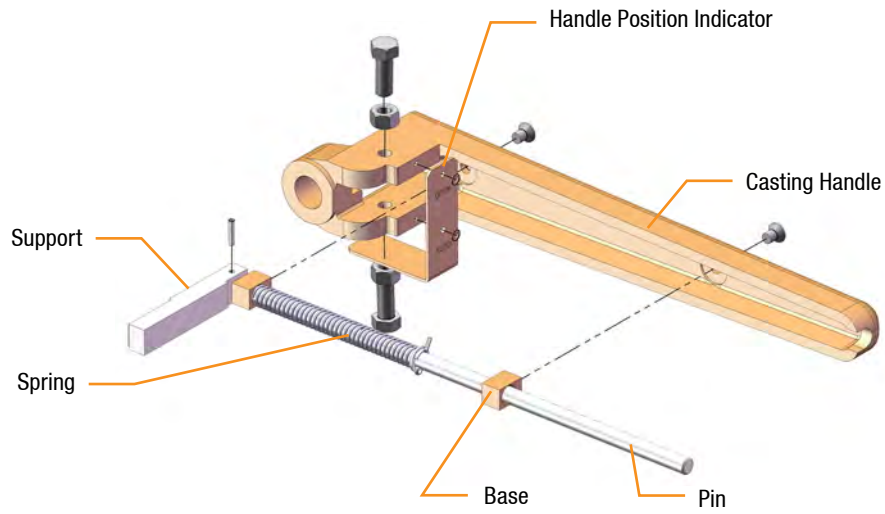
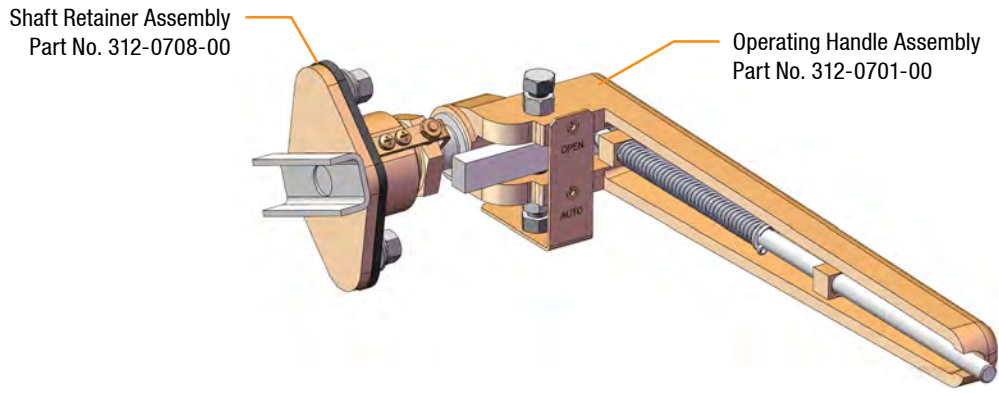
Part No. 312-1252-00

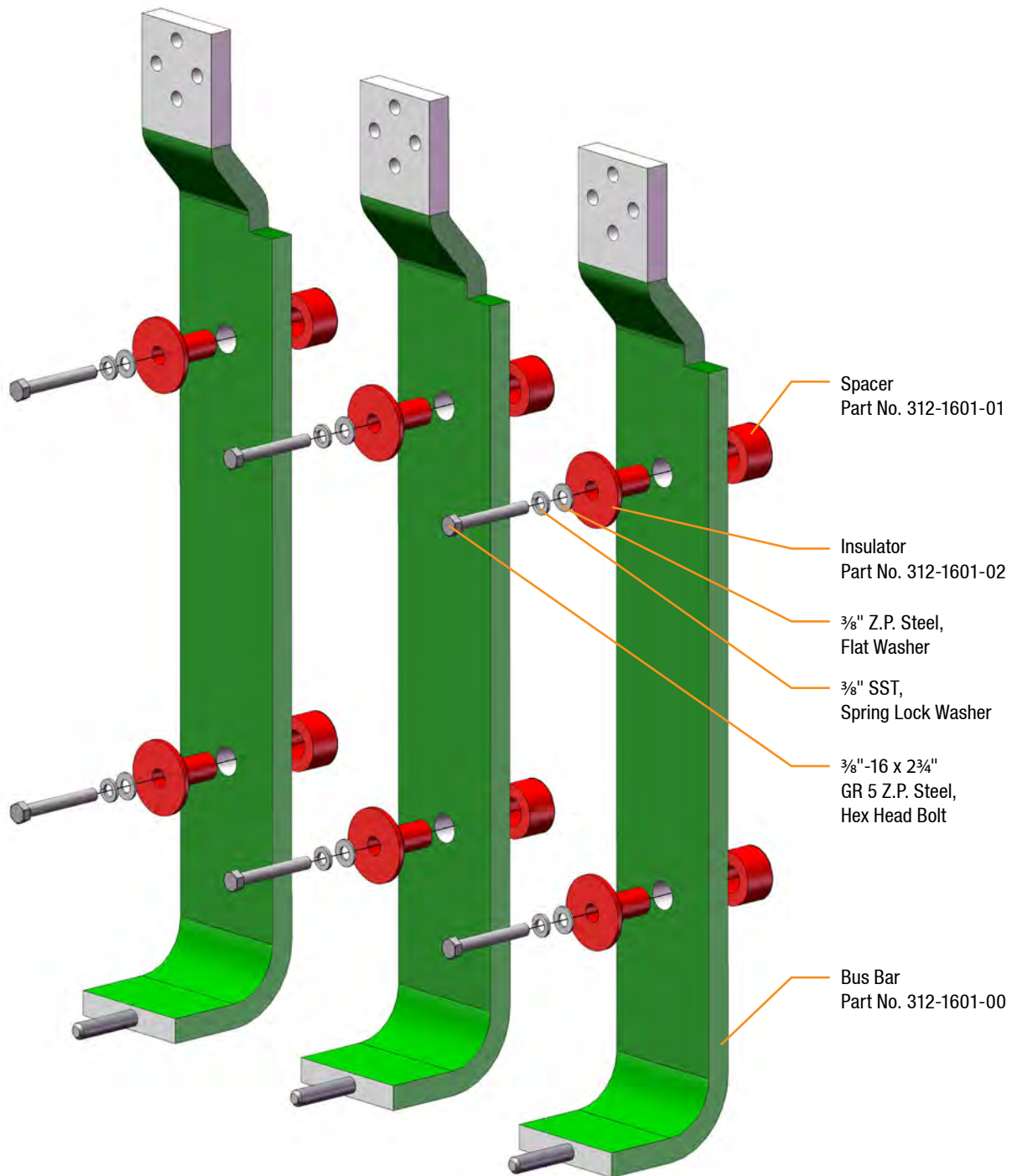


Part No. 312-1321-00



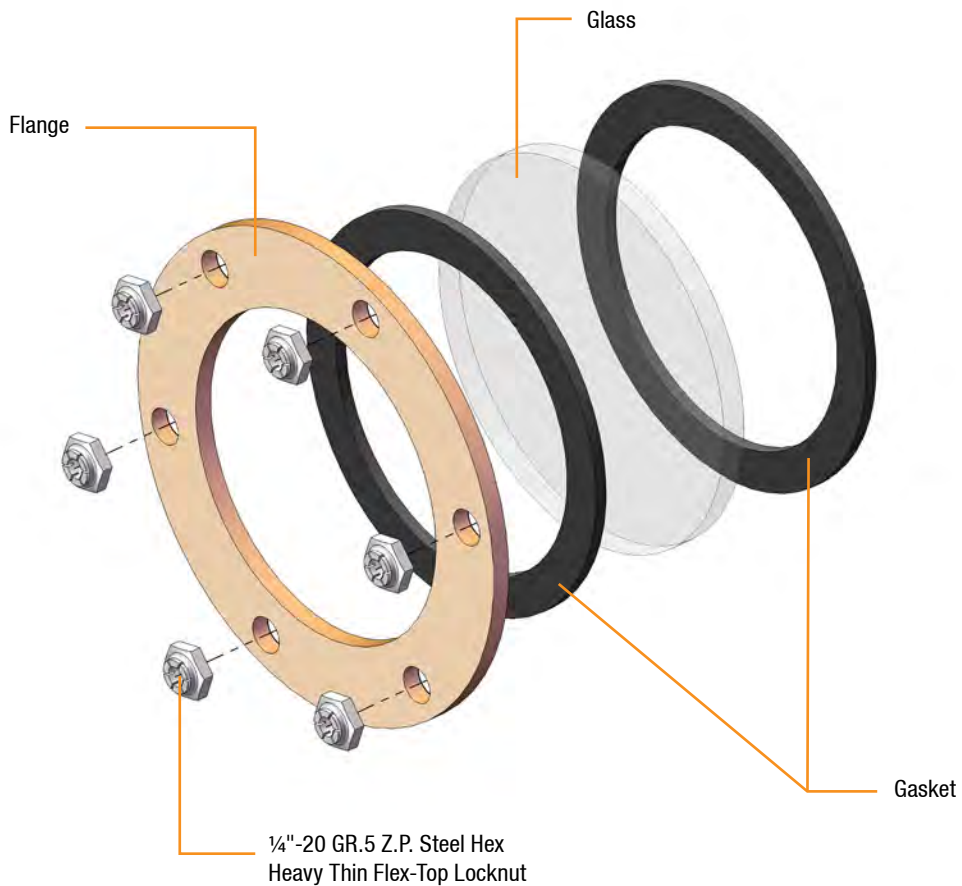
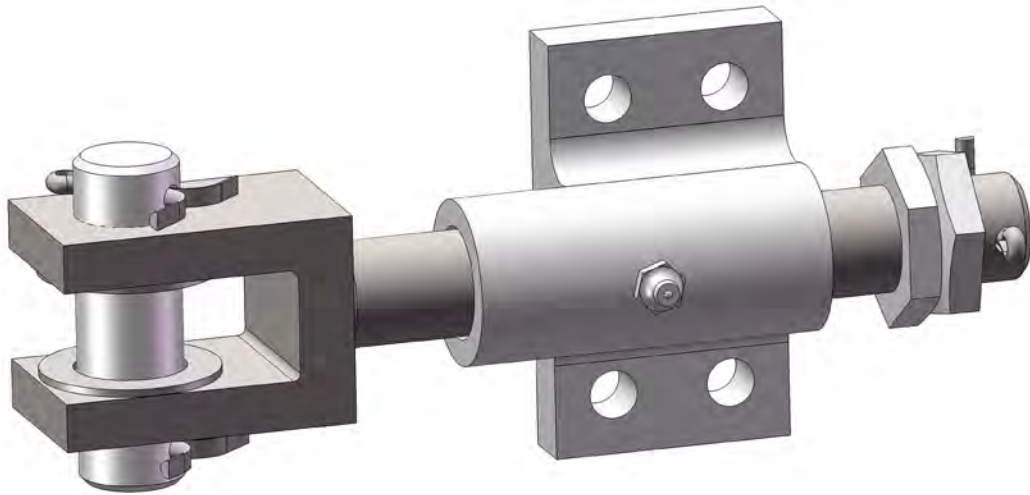


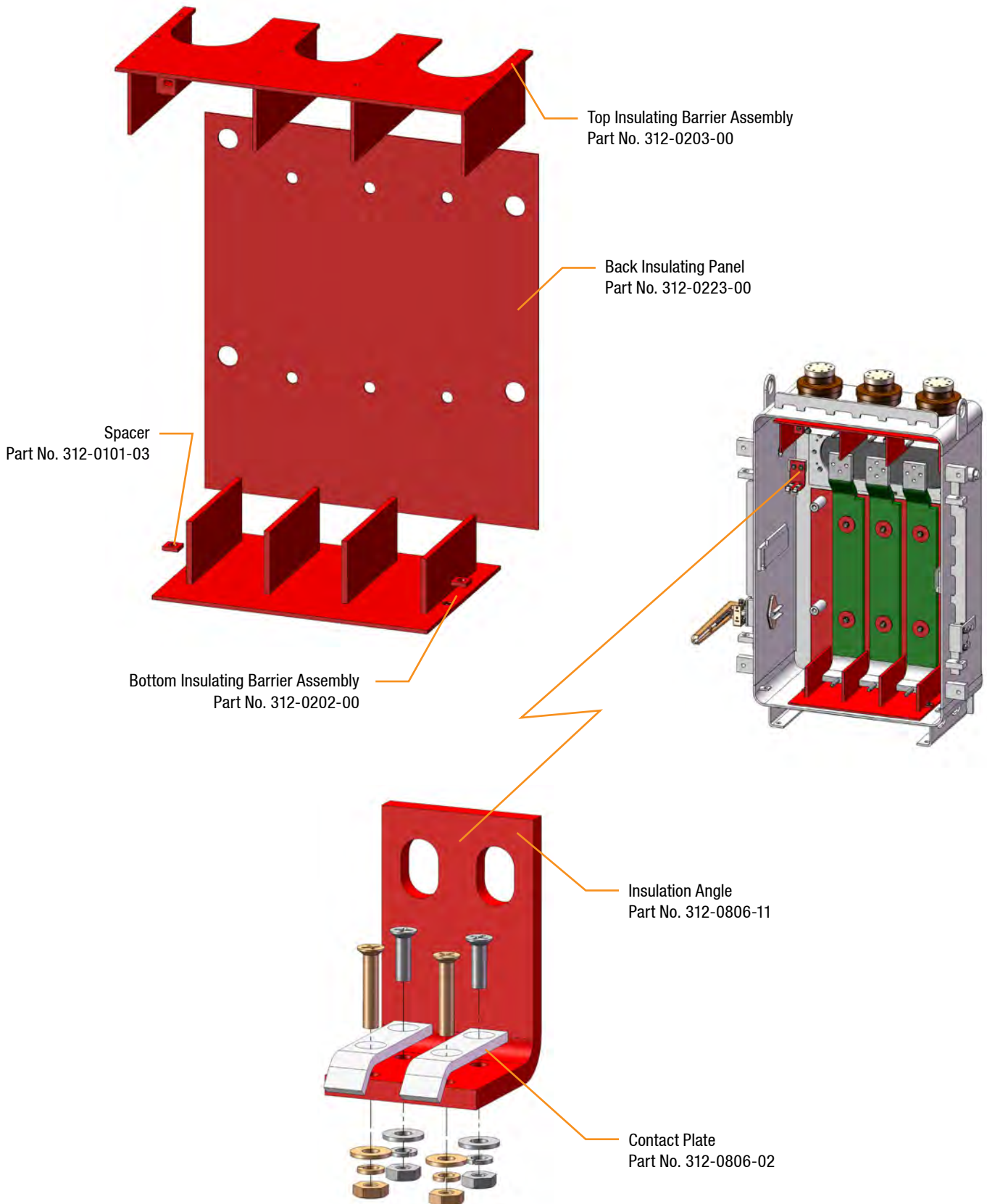


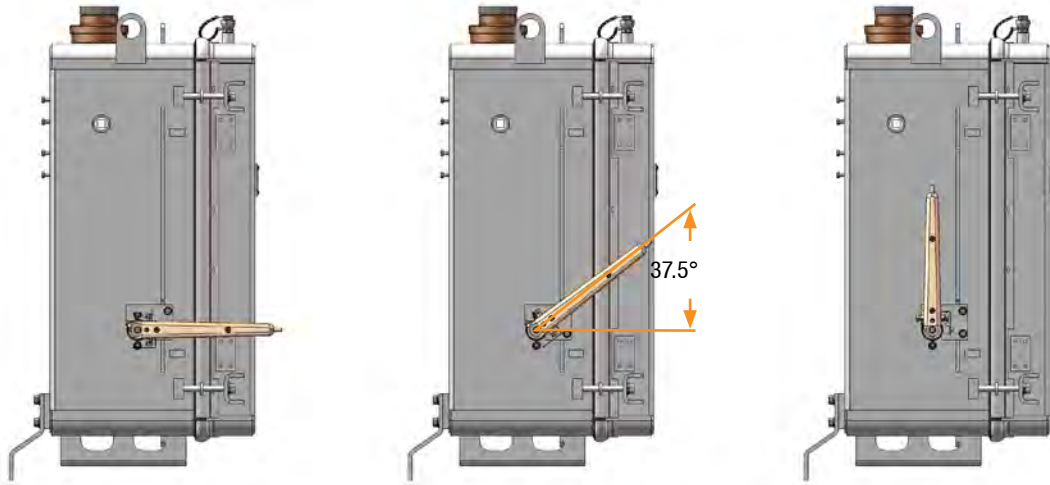


Part No. 237-1701-00 (Hinge)

Part No. 312-1100-00 (Sight Glass)



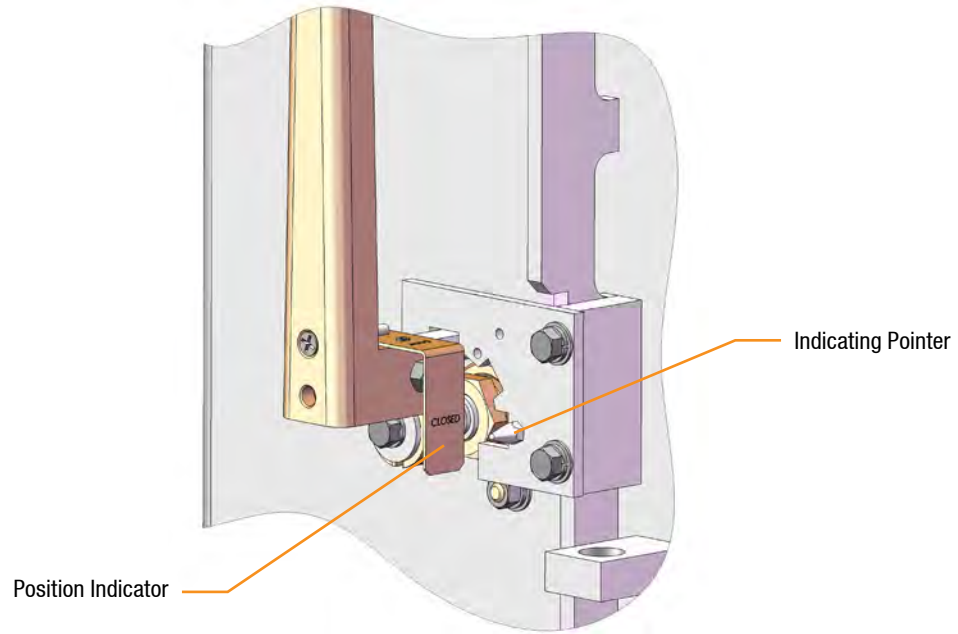


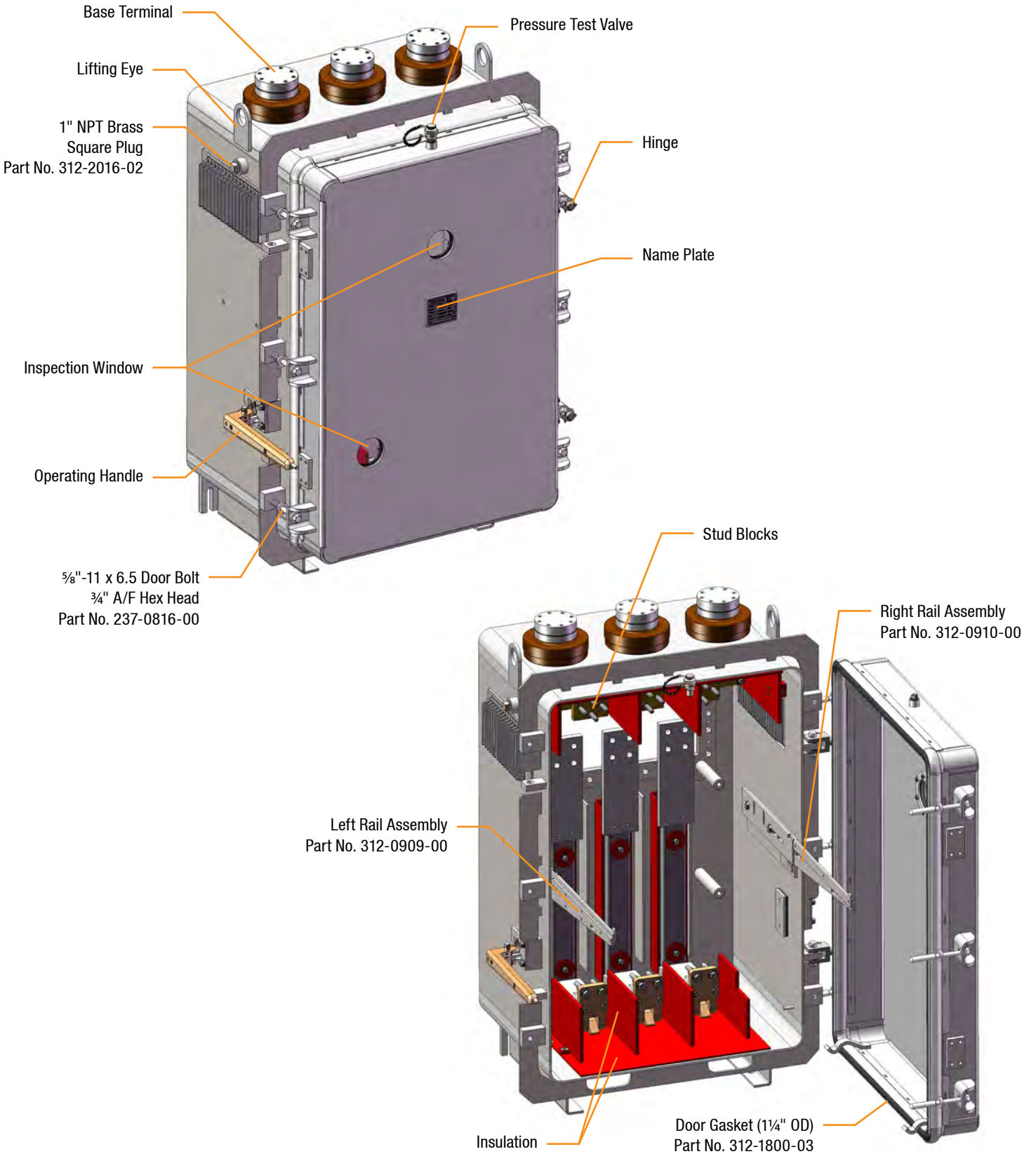


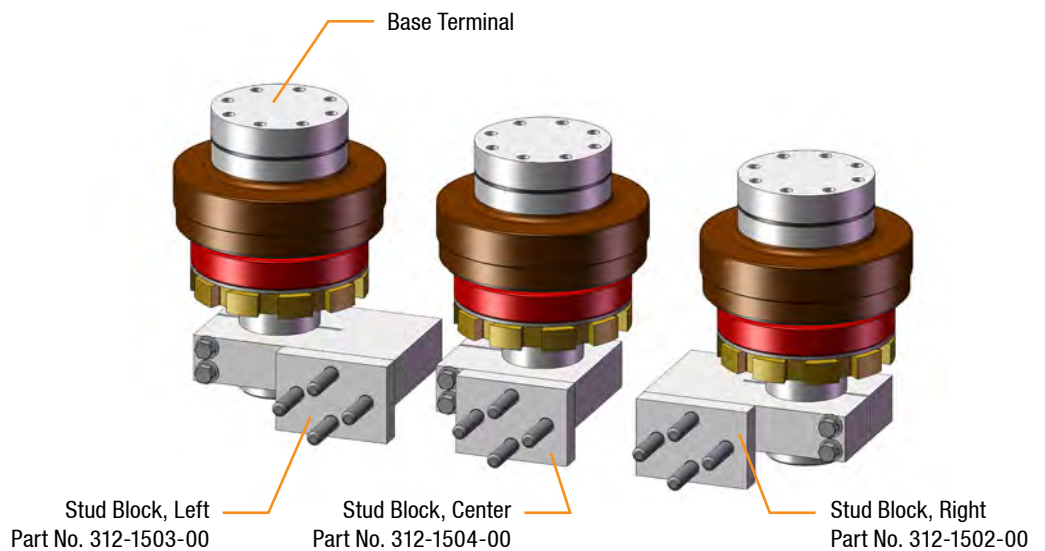
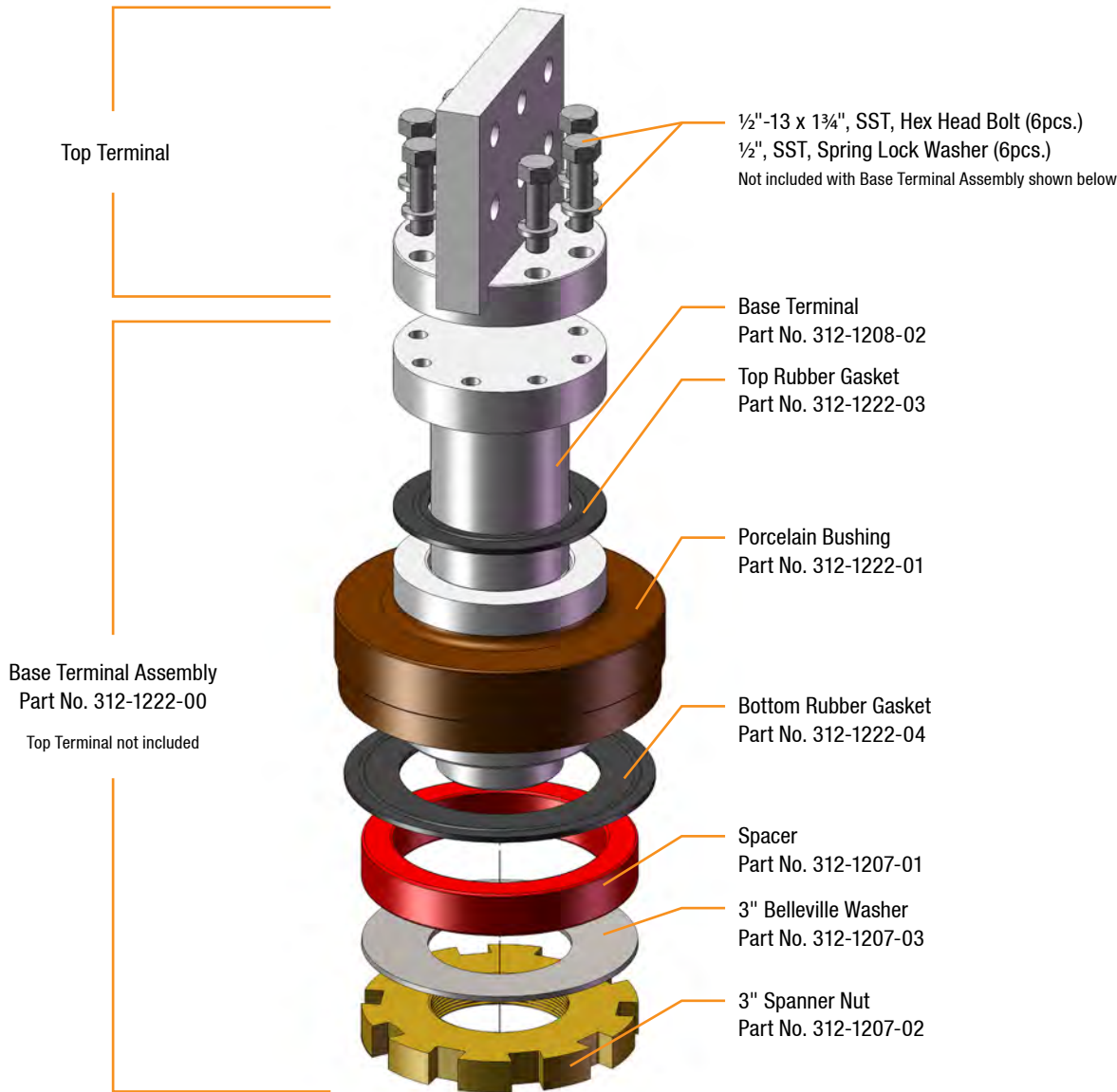
Open Position

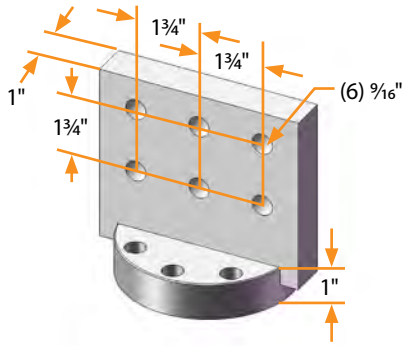
Auto Position

Close Position

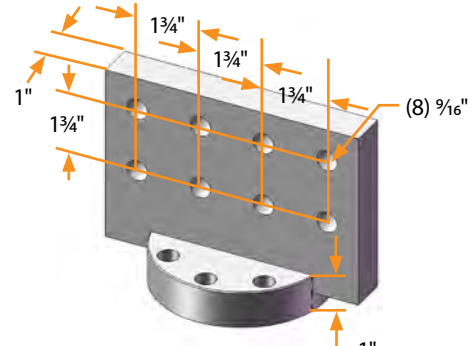




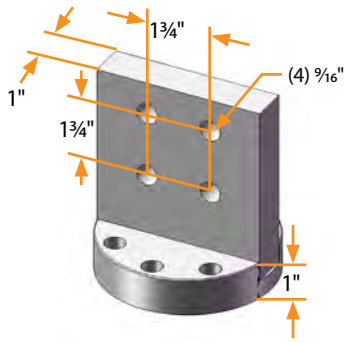




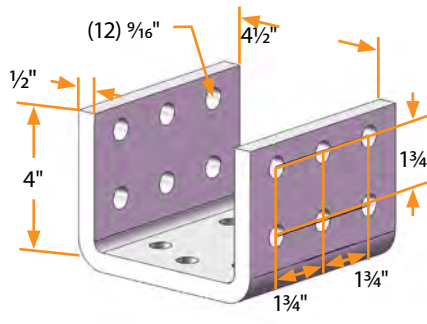
Part No. 312-1226-00



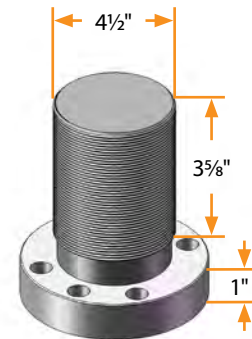
Part No. 312-1227-00



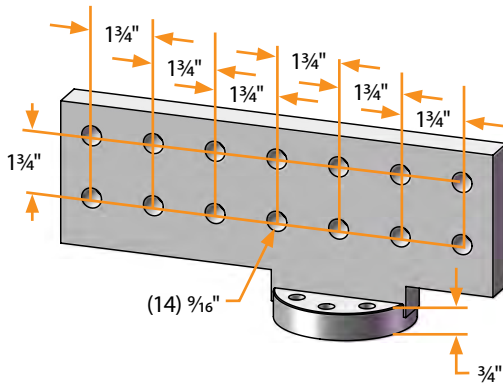
Part No. 312-1225-00



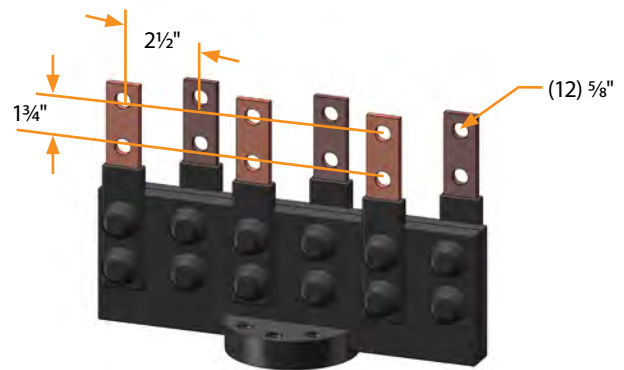
Part No. 312-1208-01



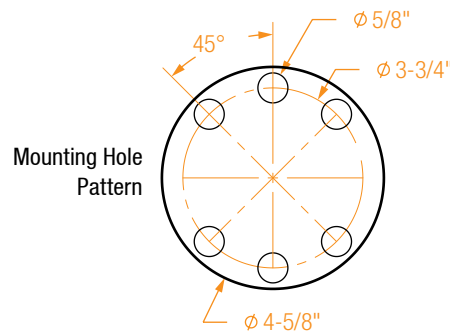
Part No. 312-1322-00



Part No. 312-1333-00



Part No. 312-1308-00



Terminal
Part No. 312-1270-01



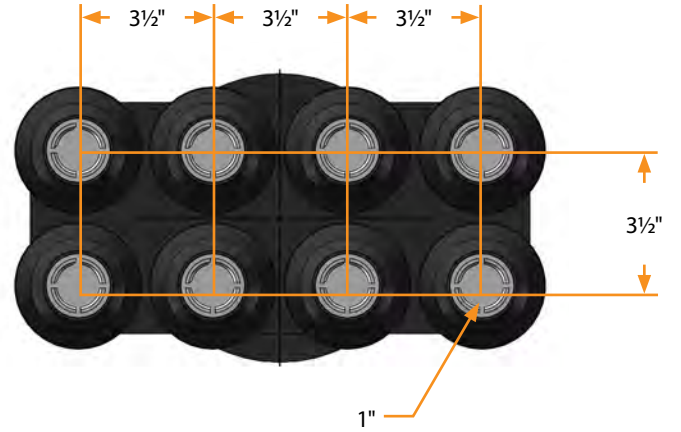
4" Rubberized Washer
Part No. 237-1285-20

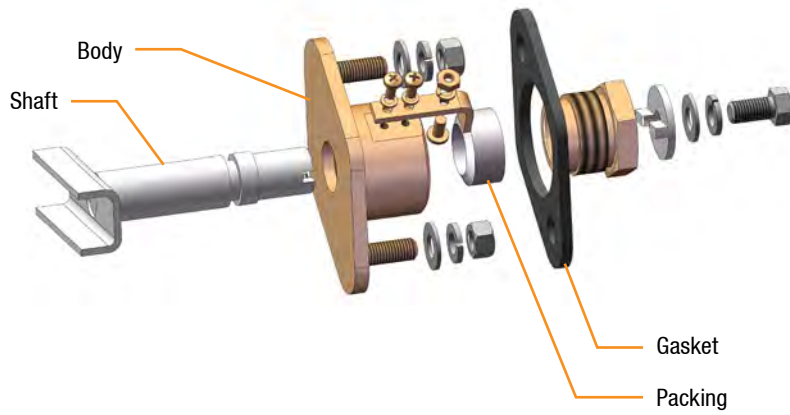
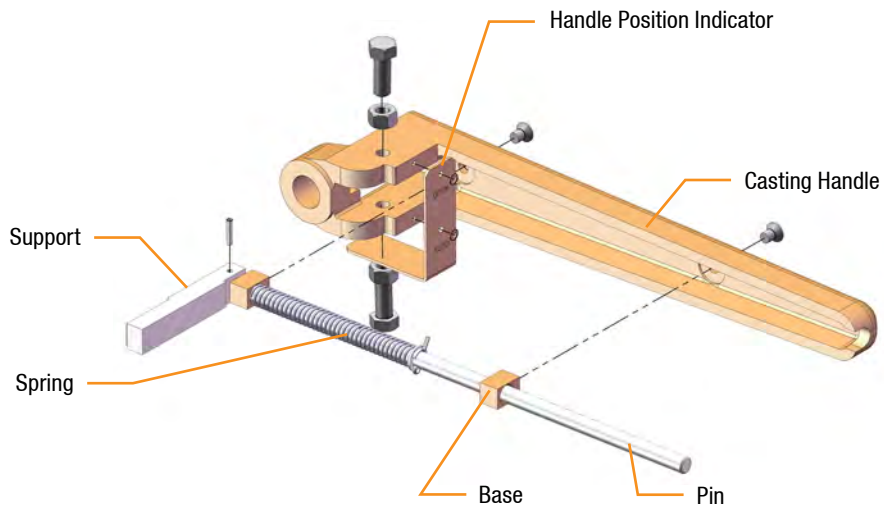
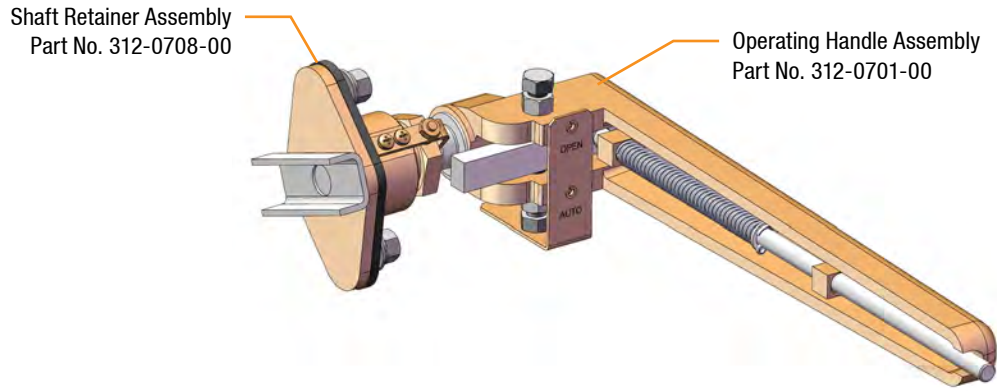


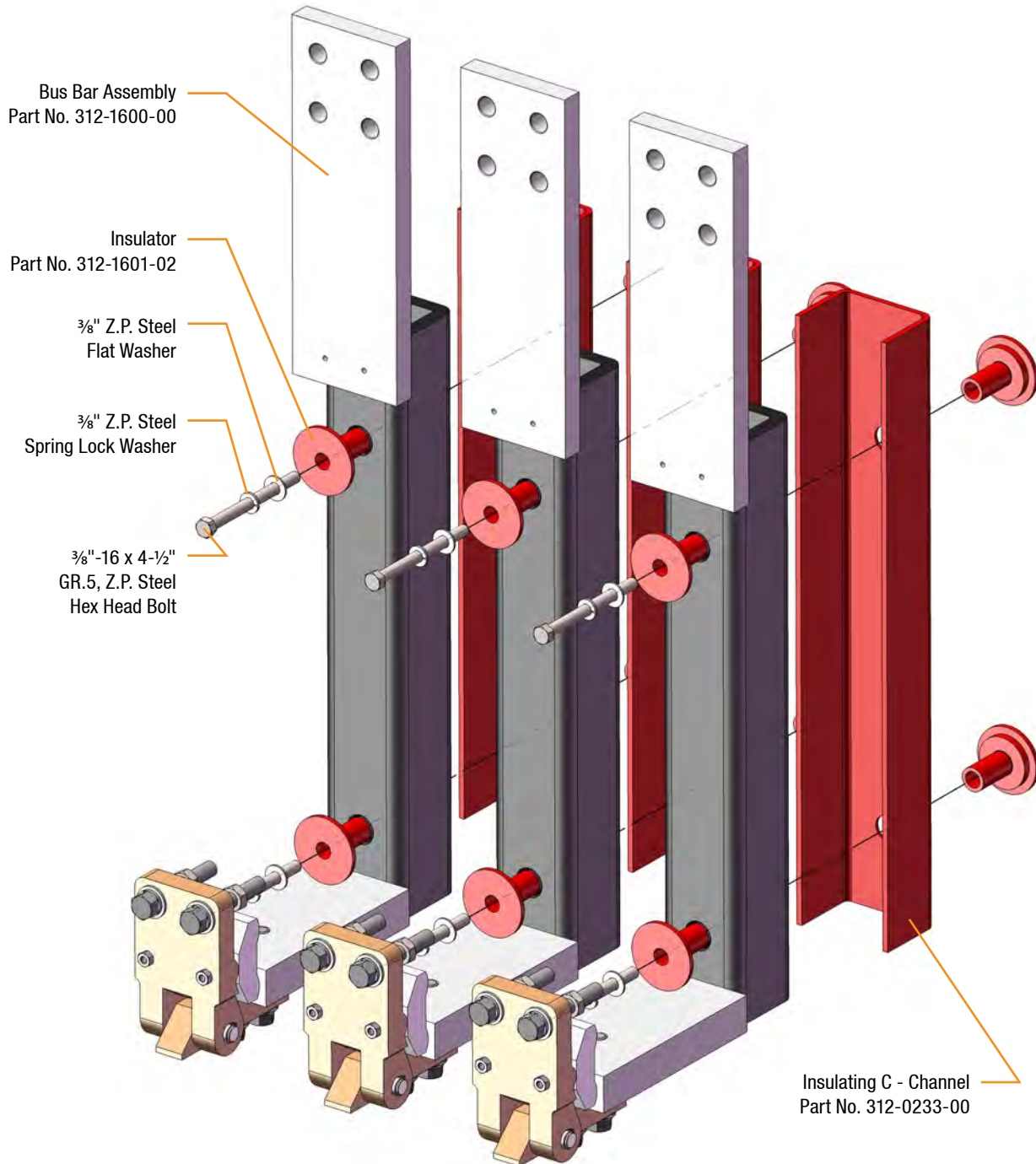
4" Belleville Washer
Part No. 237-1221-05



4" Spanner Nut
Part No. 312-1270-02

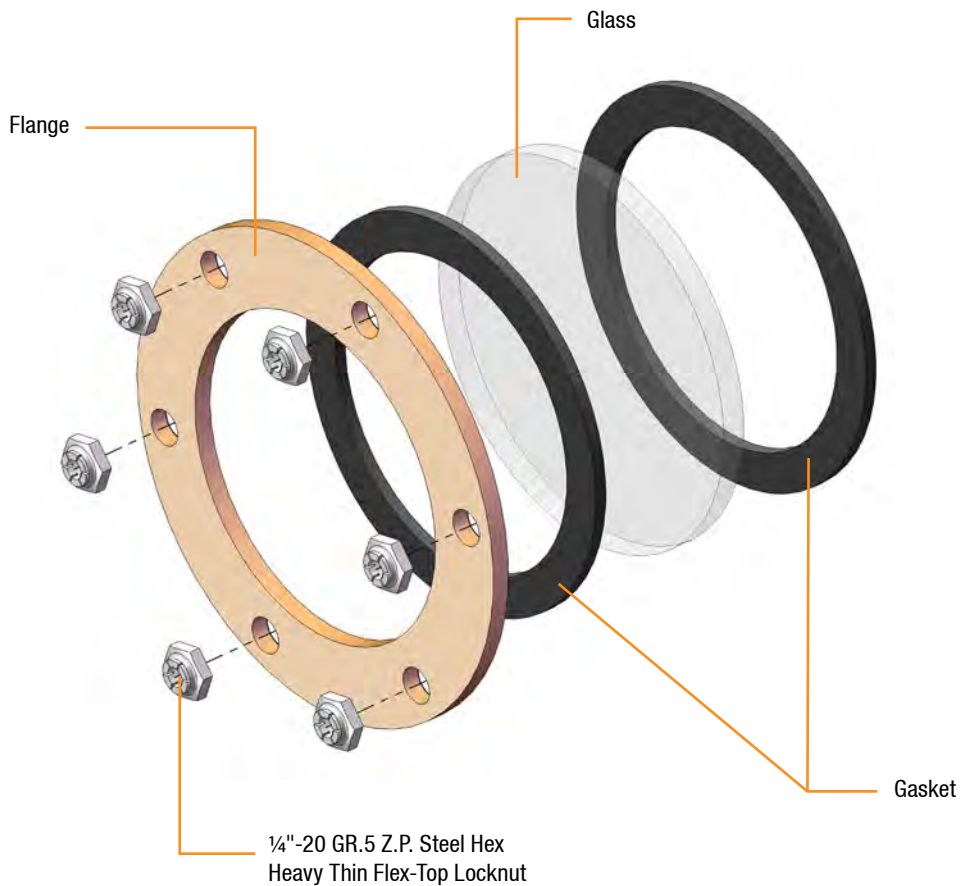
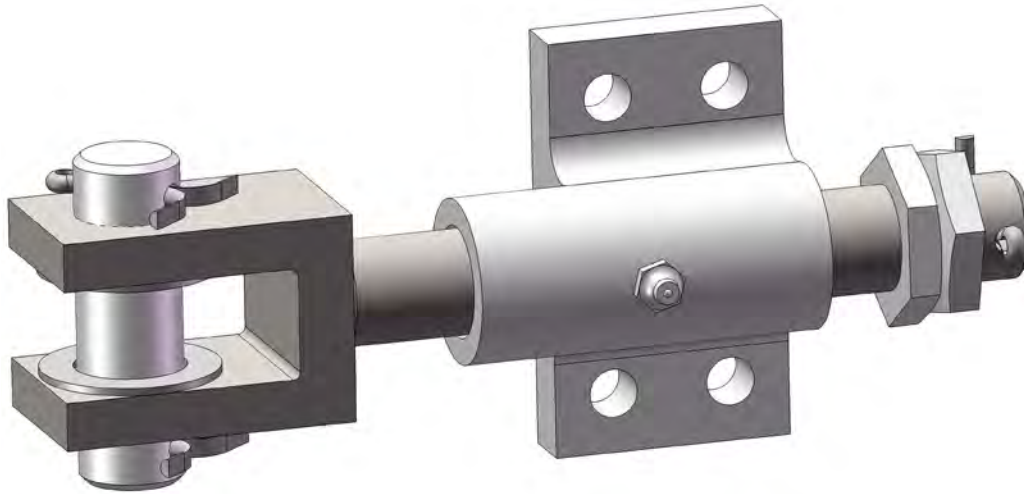


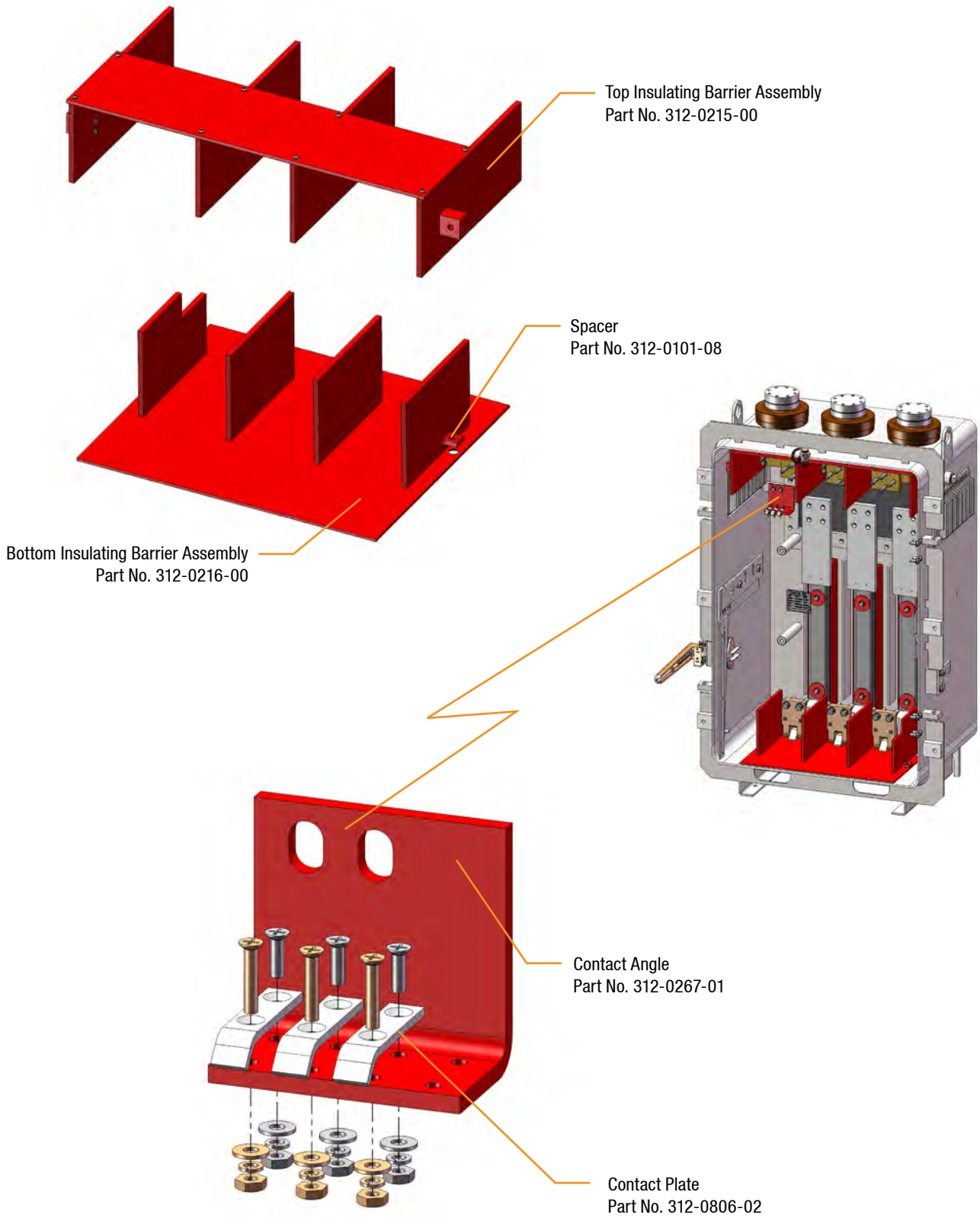


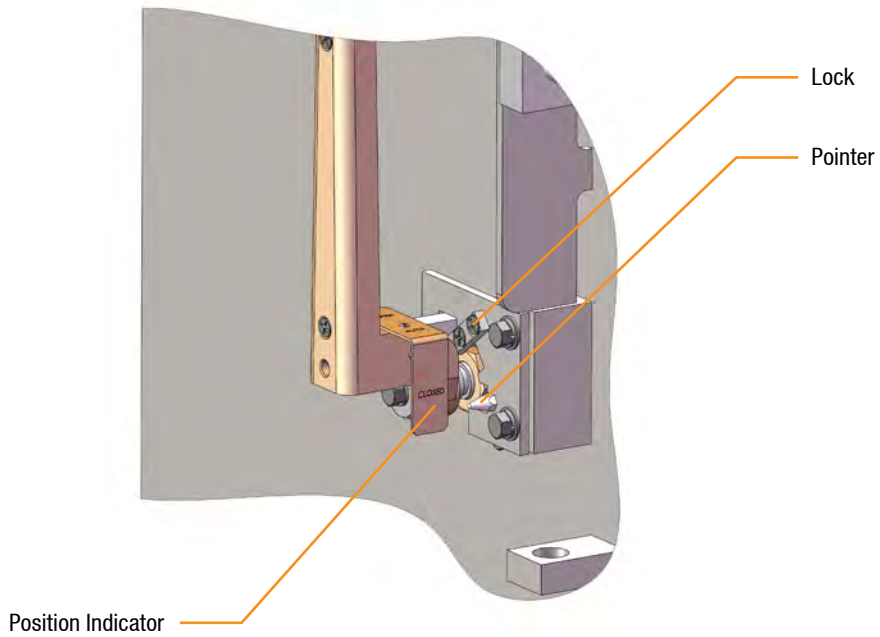
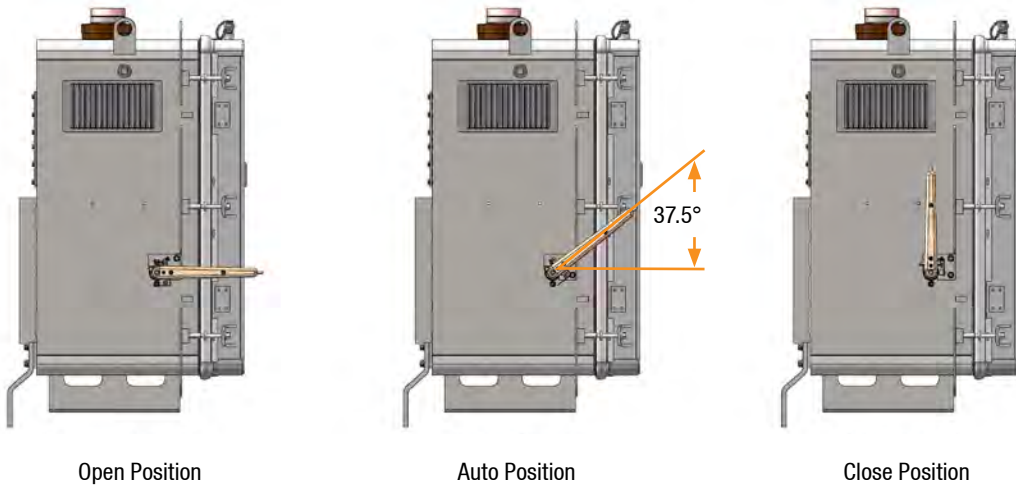


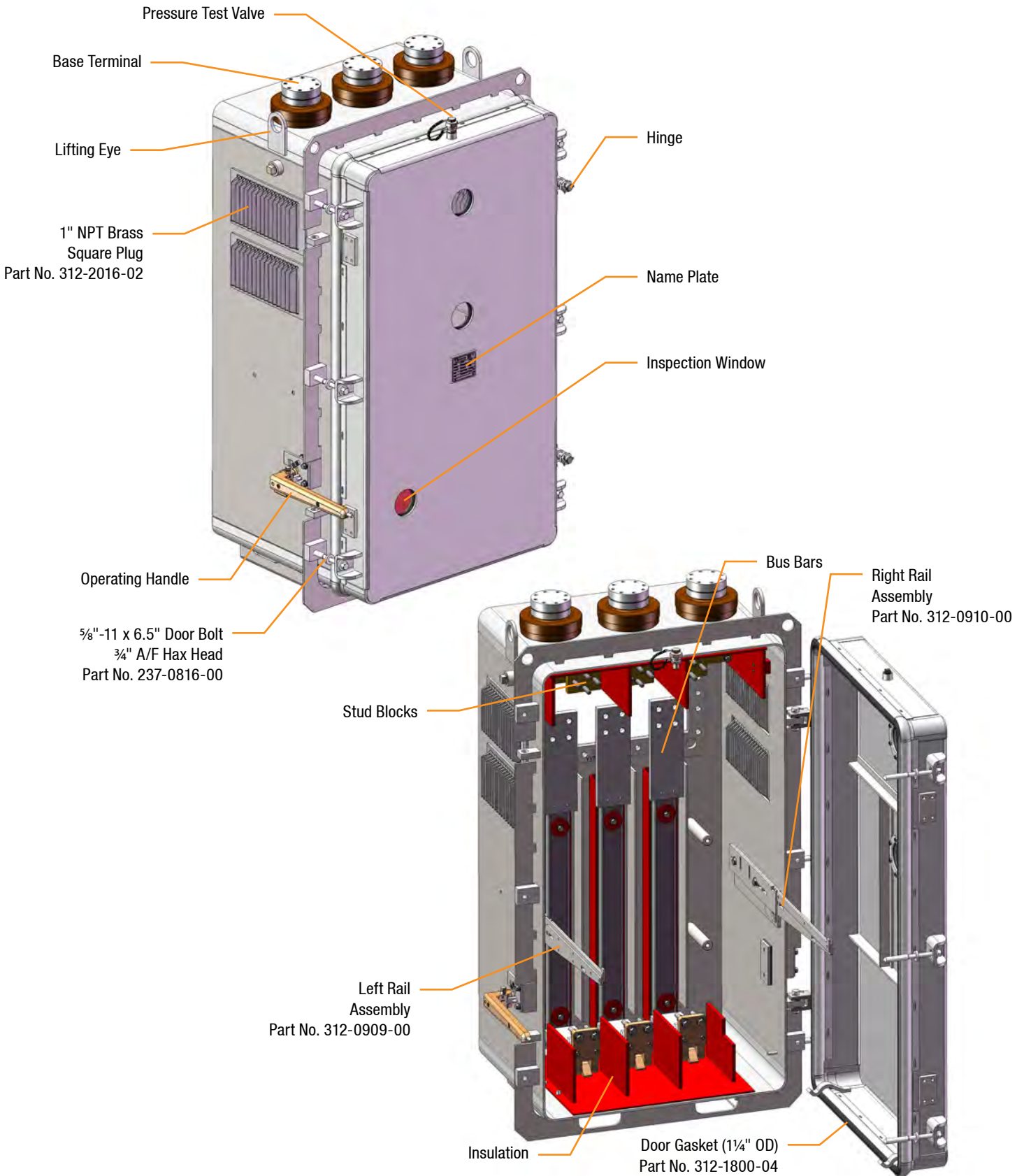
Part No. 237-1701-00 (Hinge)

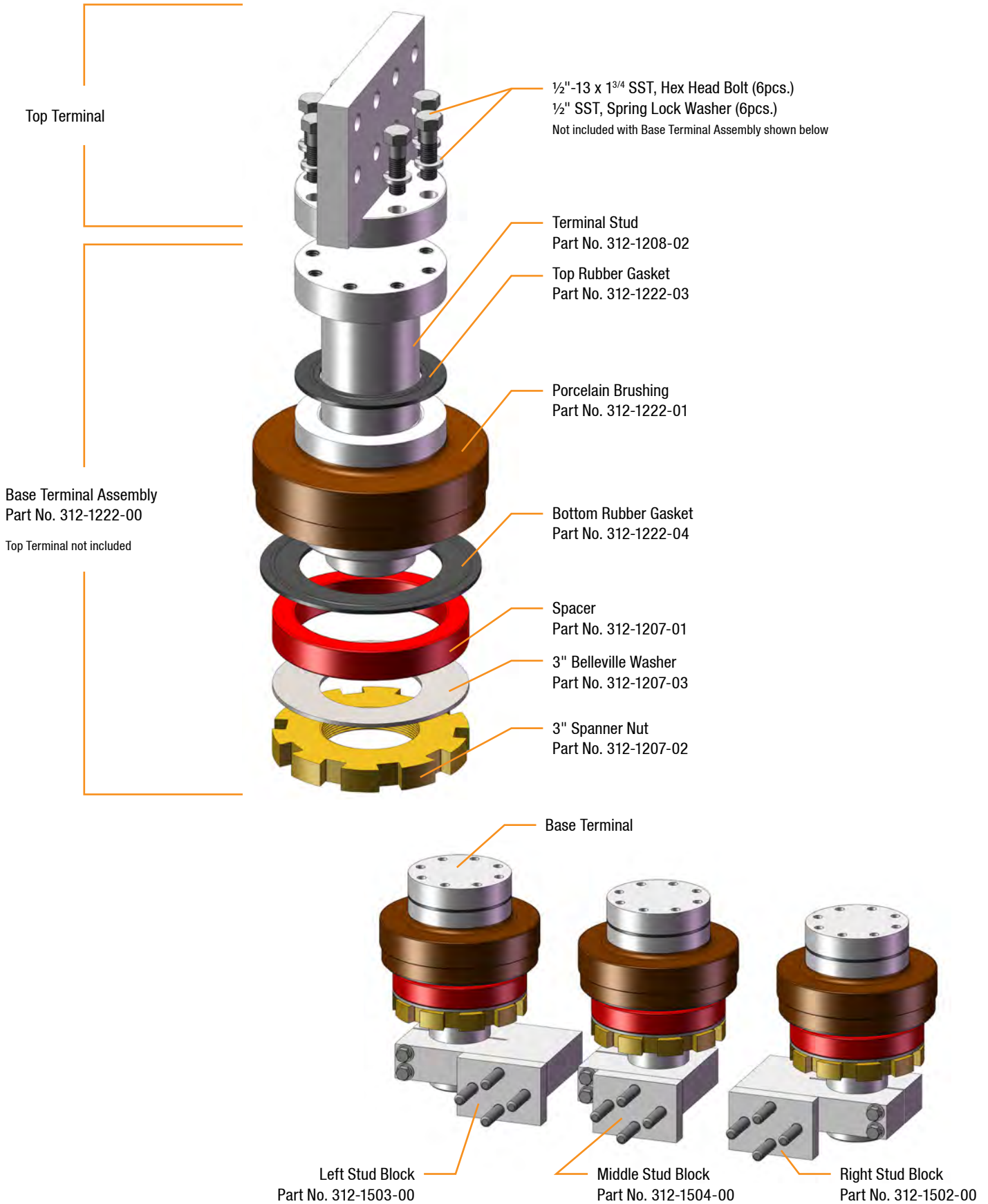
Part No. 312-1100-00 (Sight Glass)

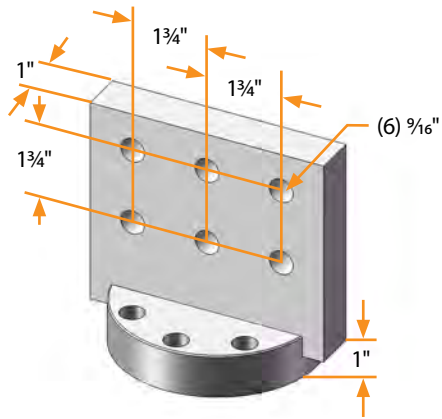




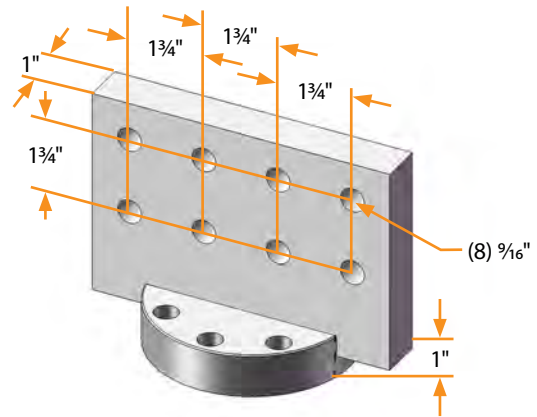




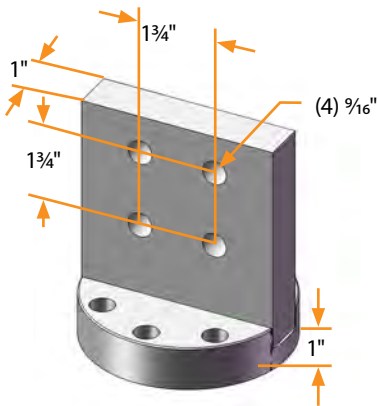




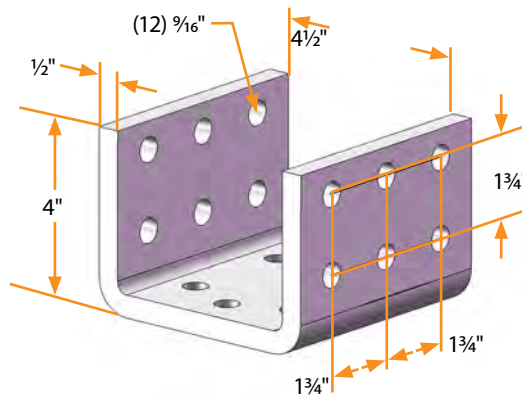
Part No. 312-1226-00



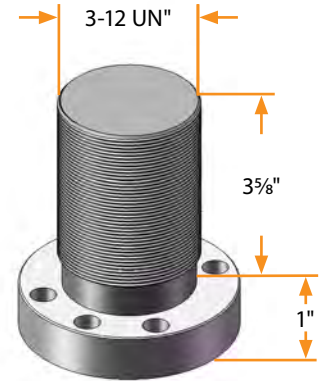
Part No. 312-1227-00



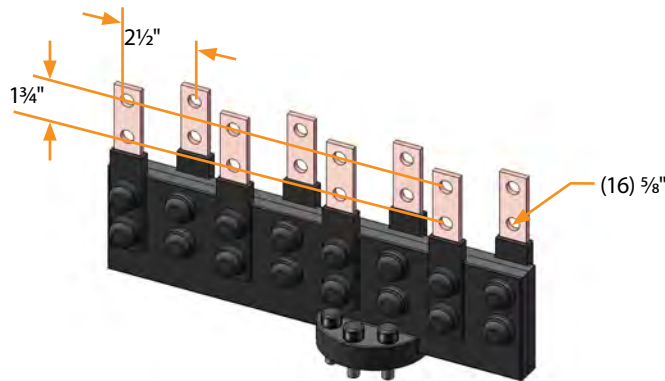
Part No. 312-1225-00



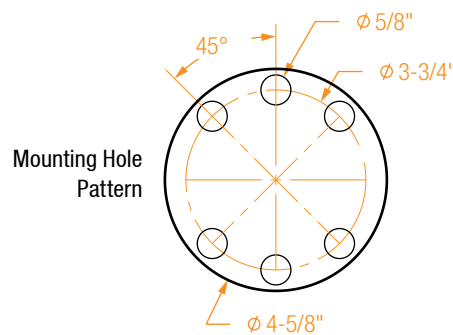
Part No. 312-1208-01

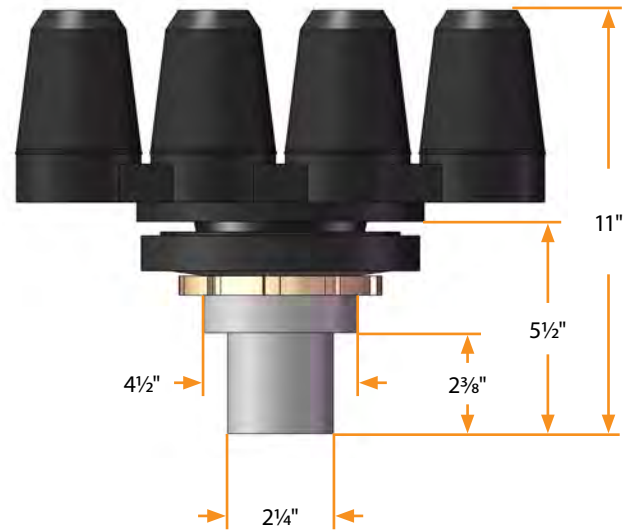
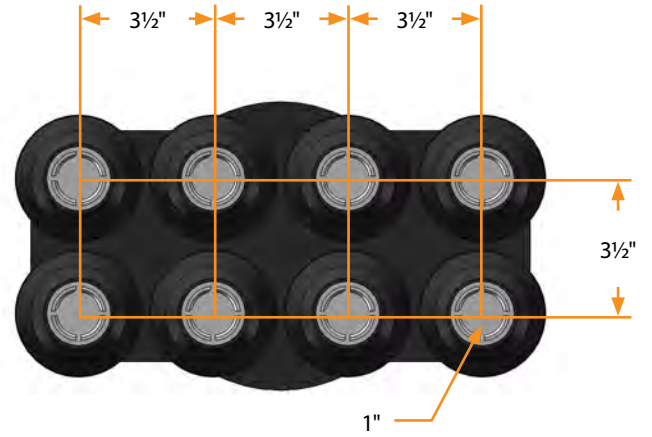


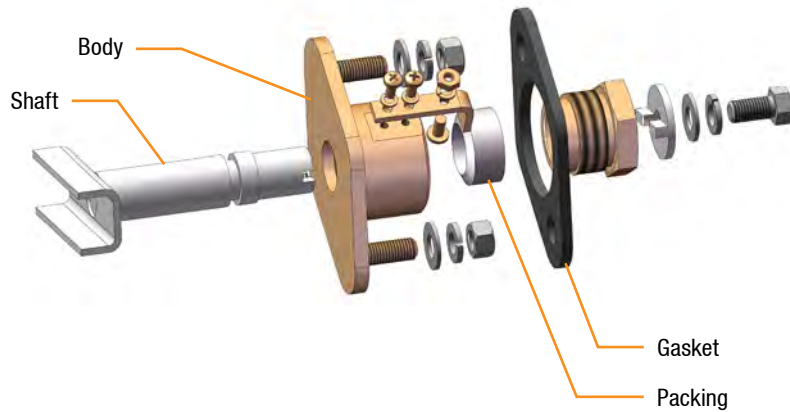
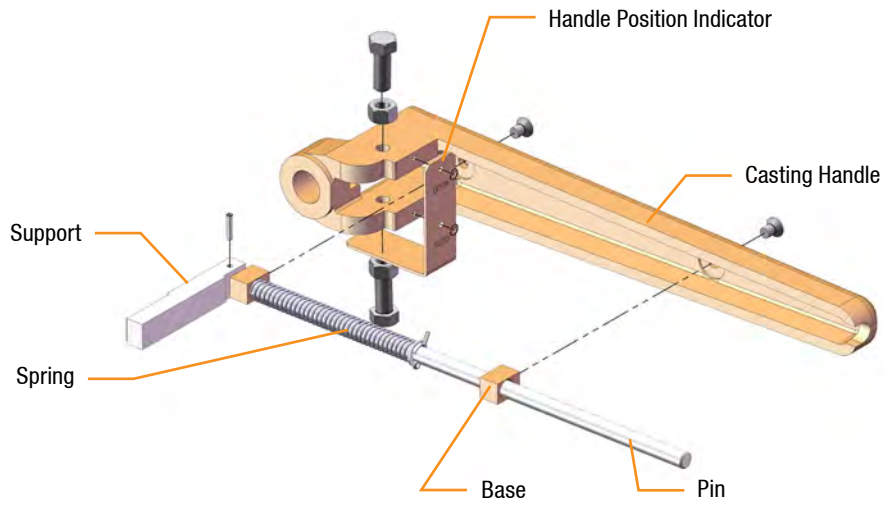
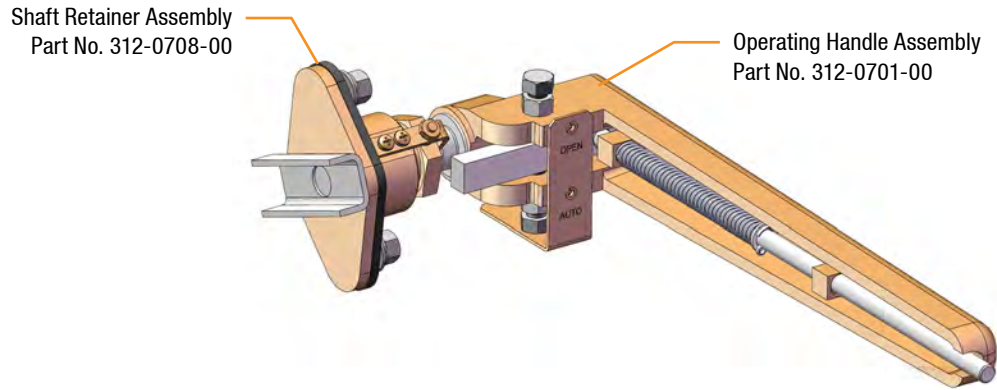
Part No. 312-1322-00

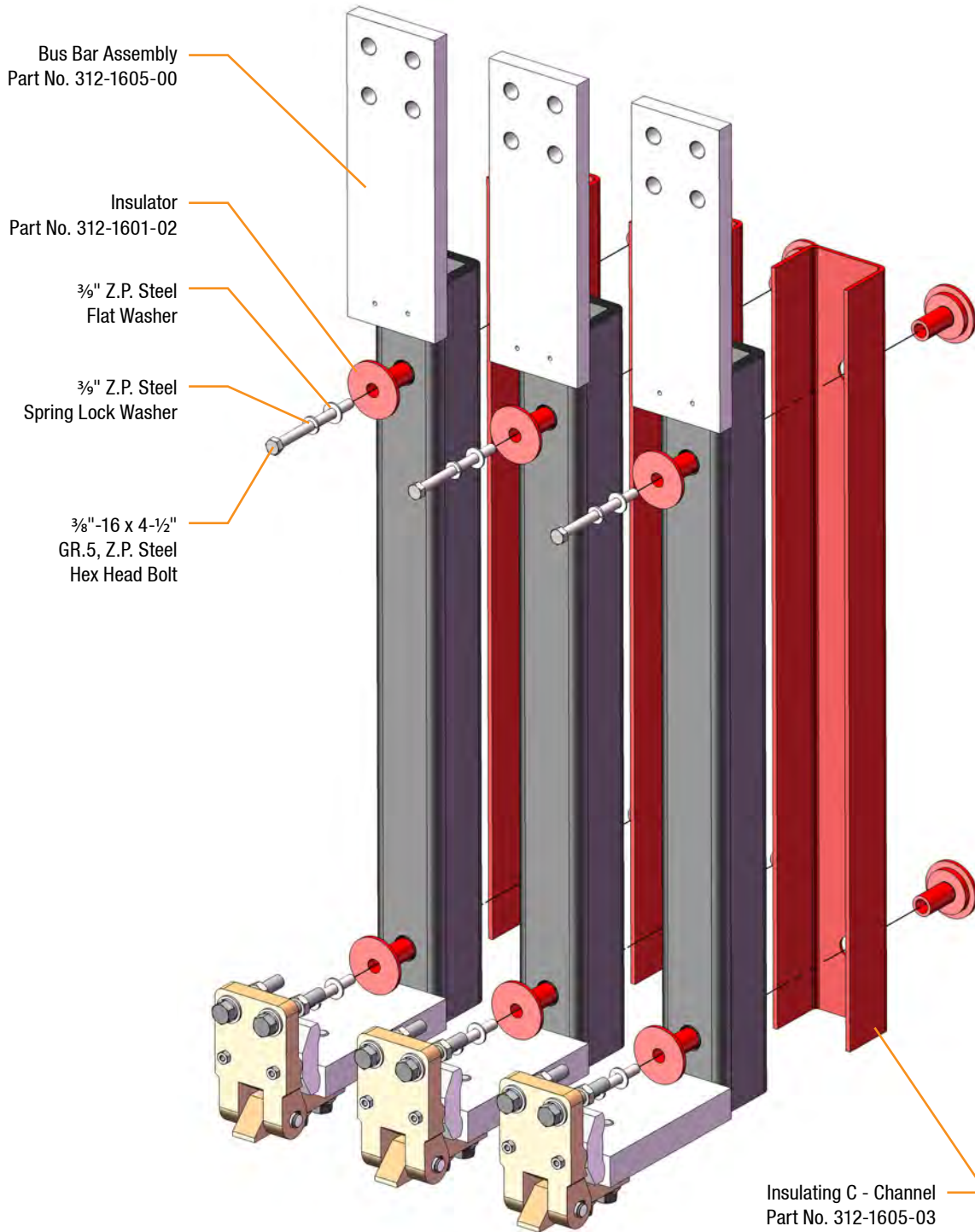


Part No. 312-1320-00



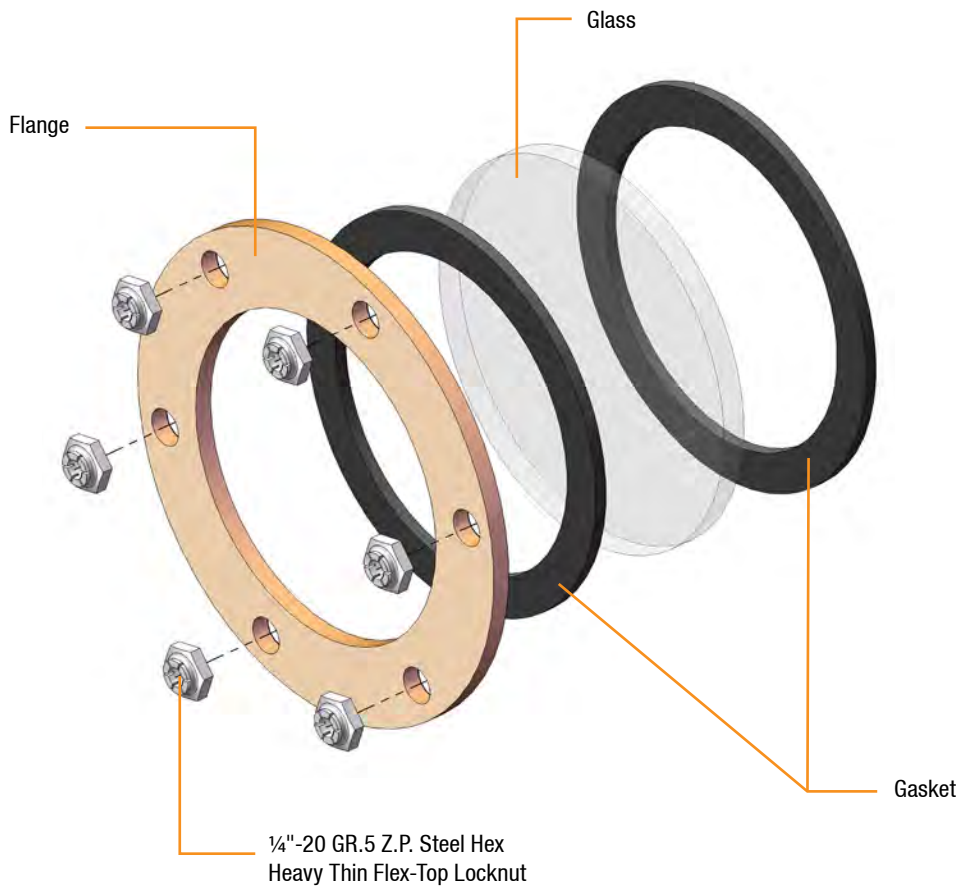
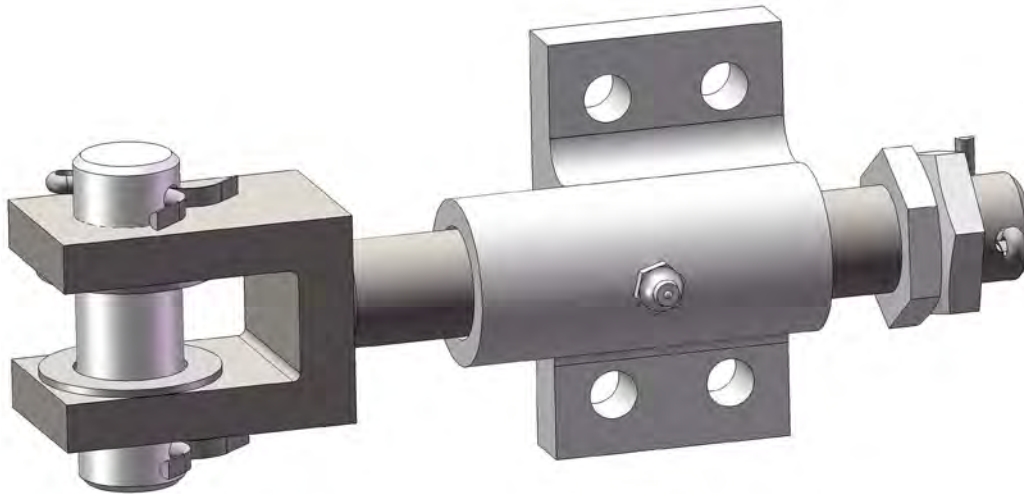


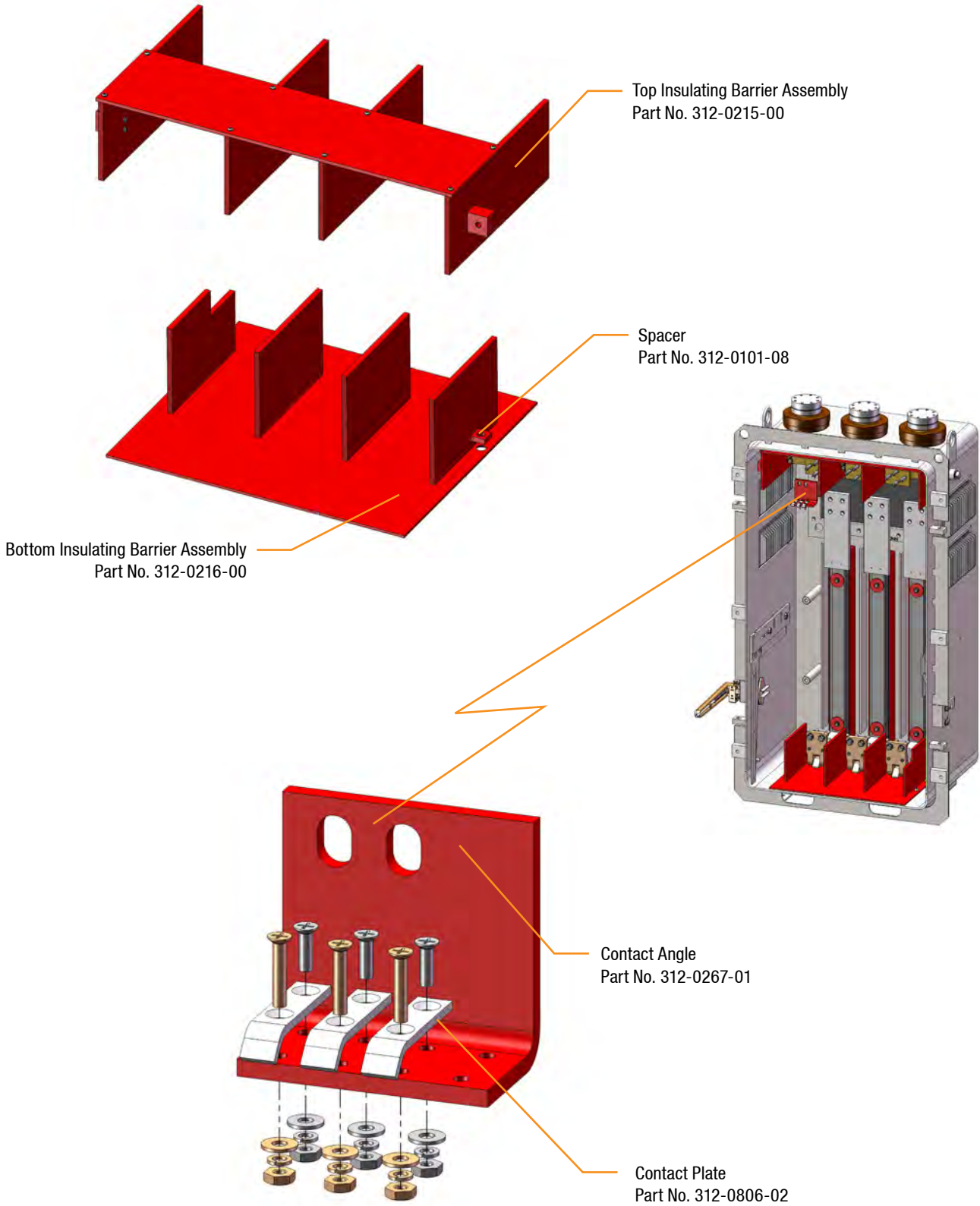




Part No. 237-1701-00 (Hinge)

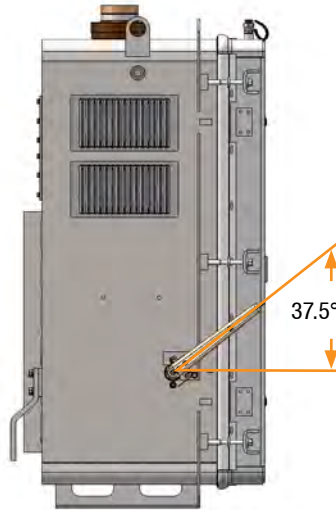
Part No. 312-1100-00 (Sight Glass)



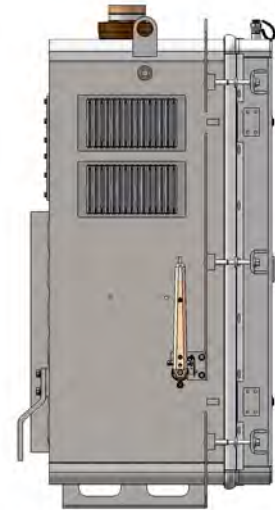




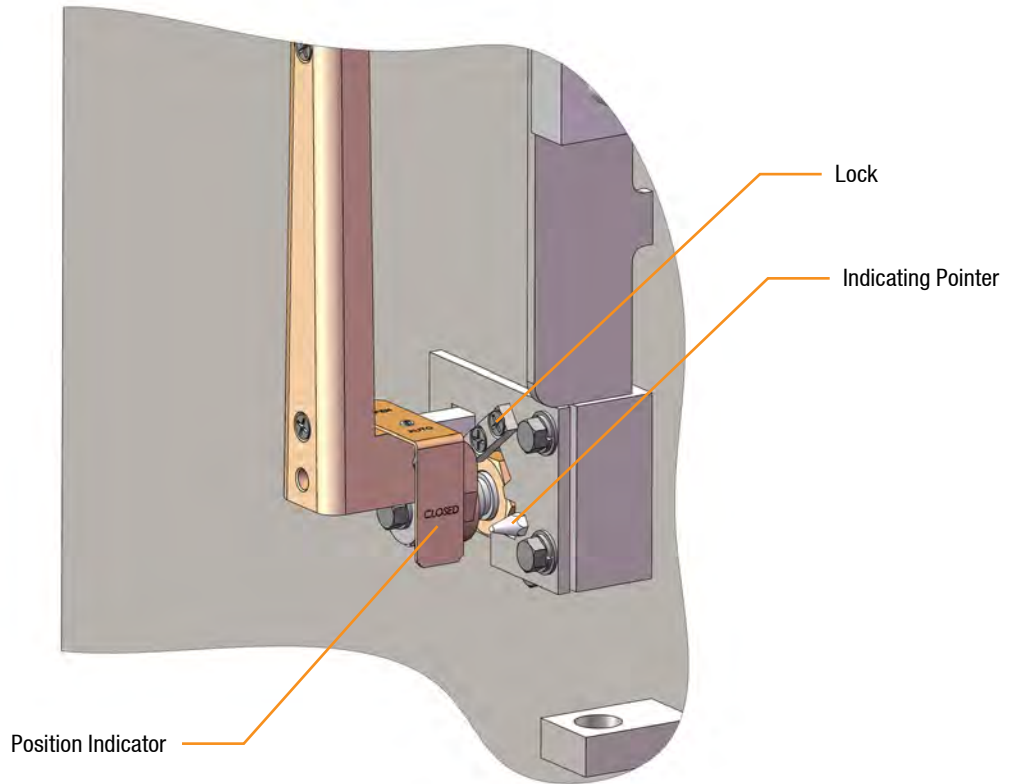
Open Position



Auto Position



Close Position

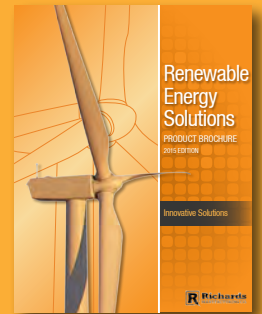


PART #	DESCRIPTION	PICTURE
312-1901-00	Pressure Test Valve (Schrader)	
312-1901-10	Filler For Schrader	
312-1902-00	Pressure Test Valve (Belknap Valve #994)	
312-1902-10	Pressure Fitting For Belknap Valve #994	
312-1902-20	Belknap Valve 994 Fitting Kit	
312-1902-30	Belknap Valve 994 Fitting Kit	

PART #	DESCRIPTION	PICTURE
312-1904-00	302 Valve	
312-1908-00	Pressure Fitting For 302 Valve	
312-1908-01	Pin, Pressure Fitting For 302 Valve	
312-1908-00A	Pressure Fitting For 302 Valve	
312-1908-10	Valve Pressure Fitting Kit (with quick release fitting)	
312-1908-20	Valve Pressure Fitting Kit (with Schrader valve)	
312-1908-40	Bleeder (NPP-055)	

PART #	DESCRIPTION	PICTURE
312-1908-50	Bleeder Assembly for 302 Valve	
312-1908-60	Pressure Fitting Kit for 302 Valve (with 3/8" hose fitting)	
312-1908-61	Pressure Gauge (-15PSI To 15 PSI)	
312-1908-70	Valve Pressure Fitting Kit And Bleeder Assembly	
312-1908-80	Valve Extension	
312-1908-90	Set Of Three 302 Valve Kit (Comes with Protective Carrying Case)	
312-1922-00	Pressure Test Valve (Milwaukee Valve 84679-D)	

237-0203-00.....	11	237-1601-14.....	18	312-1902-30.....	54
237-0203-05.....	11	237-1601-15.....	18	312-1904-00.....	55
237-0203-06.....	11	237-1701-00.....	9, 19, 30, 40, 50	312-1908-00.....	55
237-0203-07.....	11	237-1804-01.....	4	312-1908-00A.....	55
237-0204-00.....	21	237-1804-02.....	14	312-1908-01.....	55
237-0233-00.....	21	237-2901-00.....	5	312-1908-10.....	55
237-0233-11.....	21	237-2902-00.....	5	312-1908-20.....	55
237-0233-12.....	21	237-2903-00.....	5	312-1908-40.....	55
237-0233-13.....	21	312-0101-03.....	31	312-1908-50.....	56
237-0233-15.....	21	312-0101-08.....	41, 51	312-1908-60.....	56
237-0701-00.....	8	312-0202-00.....	31	312-1908-61.....	56
237-0701-01.....	8	312-0203-00.....	31	312-1908-70.....	56
237-0701-05.....	8	312-0215-00.....	41, 51	312-1908-80.....	56
237-0701-07.....	8	312-0216-00.....	41, 51	312-1908-90.....	56
237-0701-09.....	8	312-0223-00.....	31	312-1922-00.....	56
237-0701-10.....	8	312-0233-00.....	39	312-2006-00.....	24
237-0701-12.....	8	312-0267-01.....	41, 51	312-2016-02.....	4, 14, 24, 34, 44
237-0702-05.....	8	312-0805-00.....	24	312-3125-00.....	5
237-0703-10.....	8	312-0806-02.....	31, 41, 51		
237-0704-01.....	8	312-0806-10.....	31		
237-0704-02.....	8	312-0806-11.....	31		
237-0704-03.....	8	312-0909-00.....	34, 44		
237-0801-00.....	14	312-0910-00.....	34, 44		
237-0802-00.....	14	312-1100-00.....	9, 19, 30, 40, 50		
237-0805-03.....	4, 14	312-1200-00.....	27		
237-0816-00.....	34, 44	312-1200-01.....	27		
237-0835-40.....	4	312-1200-02.....	7, 27		
237-1102-00.....	10, 20	312-1206-02.....	25		
237-1102-01.....	10	312-1206-06.....	6, 26		
237-1102-02.....	10	312-1206-10.....	25		
237-1102-03.....	10	312-1207-01.....	35, 45		
237-1102-04.....	10	312-1207-02.....	35, 45		
237-1102-05.....	10	312-1207-03.....	35, 45		
237-1102-06.....	4, 14	312-1208-01.....	36, 46		
237-1102-08.....	10	312-1208-02.....	35, 45		
237-1102-10.....	10, 20	312-1209-00.....	6, 26		
237-1105-00.....	18	312-1210-00.....	6, 26		
237-1201-01.....	15	312-1222-00.....	35, 45		
237-1201-02.....	15	312-1222-01.....	35, 45		
237-1201-03.....	15	312-1222-03.....	35, 45		
237-1201-07.....	15	312-1222-04.....	35, 45		
237-1204-01.....	5, 25	312-1225-00.....	36, 46		
237-1204-02.....	5, 25	312-1226-00.....	36, 46		
237-1204-03.....	5, 25	312-1227-00.....	36, 46		
237-1204-04.....	5, 25	312-1228-02.....	5, 7, 25, 27		
237-1207-03.....	5, 7, 25, 27	312-1238-00.....	6, 26		
237-1208-01.....	15	312-1252-00.....	6, 26		
237-1208-10.....	15	312-1270-00.....	37, 47		
237-1214-01.....	5	312-1270-01.....	37, 47		
237-1214-10.....	5	312-1270-02.....	15, 17, 37, 47		
237-1218-00.....	16	312-1281-00.....	6, 26		
237-1221-00.....	17	312-1320-00.....	46		
237-1221-01.....	17	312-1322-00.....	36, 46		
237-1221-05.....	15, 17, 37, 47	312-1333-00.....	26, 36		
237-1222-00.....	16	312-1334-00.....	6, 26		
237-1226-00.....	16	312-1502-00.....	35, 45		
237-1229-00.....	7	312-1503-00.....	35, 45		
237-1229-10.....	7	312-1504-00.....	35, 45		
237-1235-00.....	16	312-1508-00.....	25		
237-1236-00.....	16	312-1509-00.....	25		
237-1262-00.....	6, 26	312-1510-00.....	25		
237-1267-00.....	16	312-1600-00.....	39		
237-1272-00.....	16	312-1601-00.....	29		
237-1285-20.....	17, 37, 47	312-1601-01.....	29		
237-1500-00.....	5	312-1601-02.....	29, 39, 49		
237-1510-00.....	15	312-1605-00.....	49		
237-1511-00.....	15	312-1605-03.....	49		
237-1512-00.....	15	312-1800-02.....	24		
237-1512-07.....	15	312-1800-03.....	34		
237-1601-02.....	18	312-1800-04.....	44		
237-1601-06.....	18	312-1901-00.....	54		
237-1601-07.....	18	312-1901-10.....	54		
237-1601-08.....	18	312-1902-00.....	54		
237-1601-10.....	21	312-1902-10.....	54		
237-1601-13.....	18	312-1902-20.....	54		



517 Lyons Avenue, Irvington, NJ 07111
973.371.1771 | www.Richards-Mfg.com