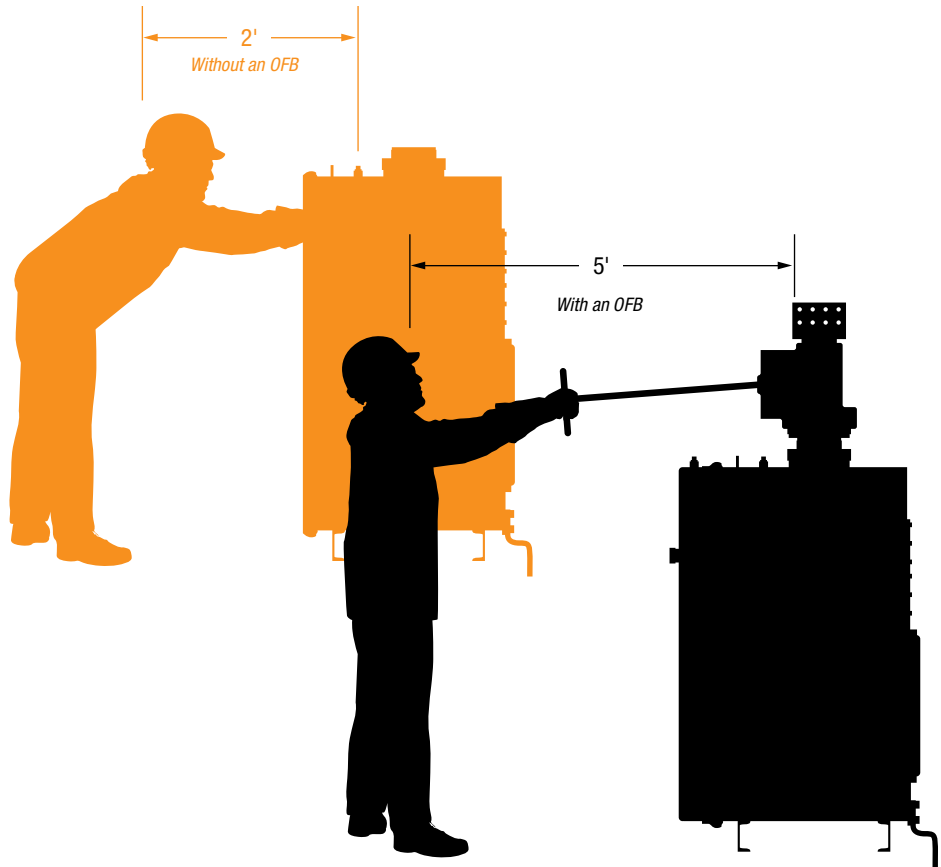


# Outside Link Box

PRODUCT CATALOG  
2018 EDITION



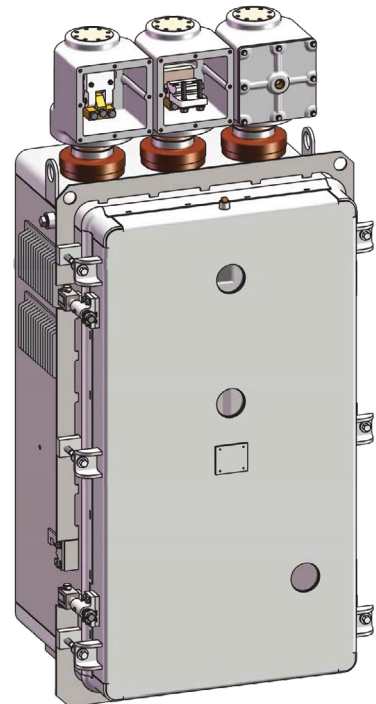
## EPRI Tested

### Reduces Arc Flash Hazard to 4 cal/square cm.

Crews no longer need to reach into an energized Network Protector. The OLB provides disconnect links that can be opened at the end of an insulated T-wrench.

### Network Protector housing with OLBs installed on each phase.

The center phase has the cover off and the disconnect link open. The box on the left has the cover off and the link closed. The right phase has a submersible cover installed.



## Give your crews the arc flash protection they need.

### The National Electric Safety Code (NESC) now requires employers to:

- A. Assess low voltages — 50-1000V — for electric arc flash exposure.
- B. Determine the effective arc rating of clothing.
- C. Divide into three nominal voltage ranges – 50-250V, 251-500V and 501-1000V.

What if the required personal protective equipment (PPE) is too cumbersome for crews to effectively work? How can the arc flash hazard be reduced, allowing crews to dress in more reasonable PPE while working in a safer environment?

## By retrofitting the network protector with the Richards Outside Link Box (OLB).

The Richards OLB allows for complete de-energizing of the network protector from the secondary network. This de-energizing is done from a greater distance, using an insulated T-wrench, which lowers the available energy even further. The design allows for safer maintenance of Network Protectors. When calculating incident energy, utilities can use a larger exposure distance and lower voltage. This product is field-installable which means your Network Protectors do not have to be taken out of service for long periods of time. Lastly, our design allows for a major upgrade in safety without a major investment in infrastructure or new equipment.

### OLB increases the distance

- The link inside of the OLB can be opened from the end of an insulated T-Wrench. The link drops down by gravity for a visible open point.
- This increases the distance used in the arc flash calculations from 24 to 60 inches.

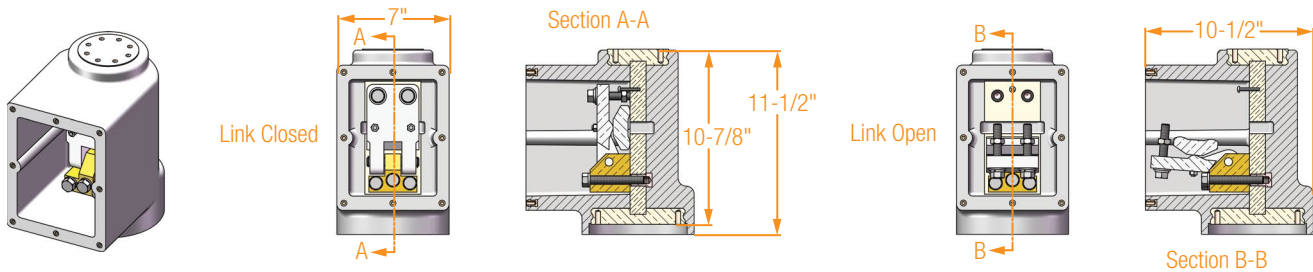
### OLB lowers the energy

- With the OLB installed, all arc flash calculations are now done at 277V phase-to-ground, not 480V phase-to-phase.
- The OLB isolates each phase, removing any reasonable possibility of a phase-to-phase fault.
- Made from an electrically insulating high strength fiberglass, even a phase-to-ground is difficult to achieve.

### OLB removes the energy

- Dropping the primary feeders or opening the high-side switch removes the energy on the transformer side of the protector.
- Opening the link in the Richards OLBs removes the energy from the network side. Now the protector is completely de-energized.

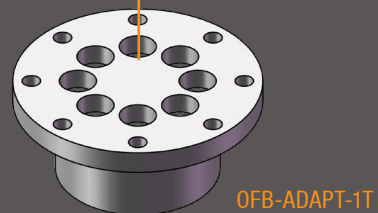
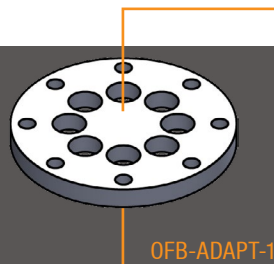
# Retrofit your small (<2000A) existing Network Protector with the Small Richards OLB



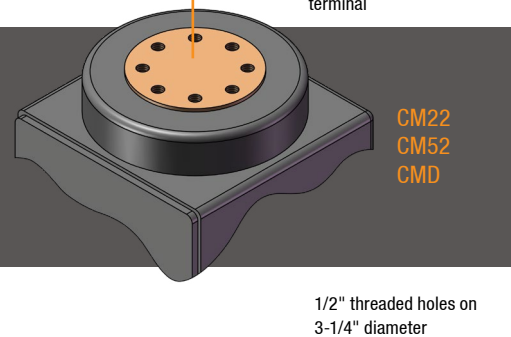
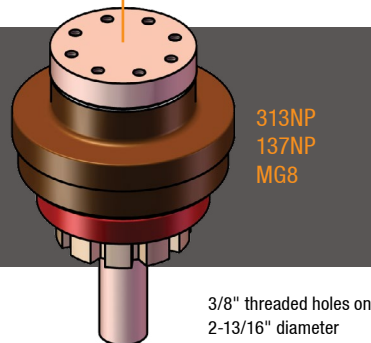
**It only takes a few simple steps to identify and select the items you'll need for the installation of the OLB**

- A. Identify the type of terminal that currently exists on your network protector.
- B. Select the corresponding adapter.
- C. Order the appropriate number of OLBs (one standard design fits all terminal types via the appropriate Richards adapter).
- D. Select the new terminal to be attached to the top of the OLB.

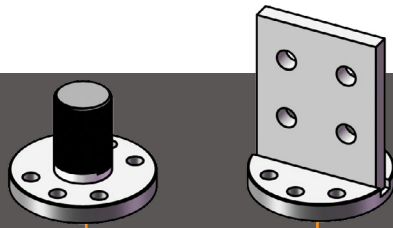
**B**



**A**



D

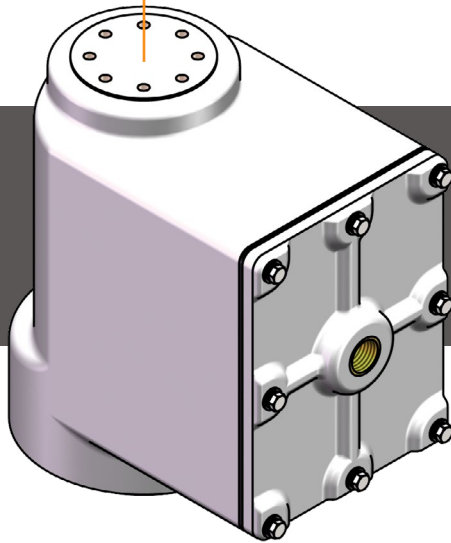


312-1281-00

312-1209-00

For more top terminal options on the small (<2000A) boxes, please see page OF12 or contact Richards.

C

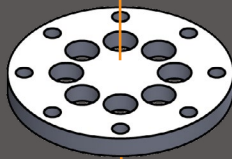


OFBOX1LS  
Submersible

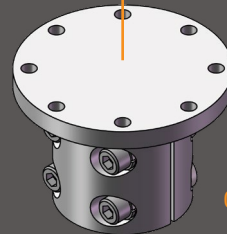
OR

OFBOX1LN  
Non-Submersible

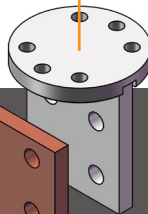
Choose the OFBOX1LS for units that are 2000A and below.



OFB-ADAPT-1



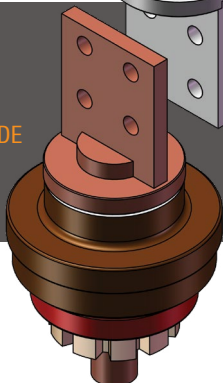
OFB-TERM-1TA



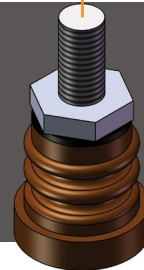
Holes on  
2-13/16" diameter

312-1209-00

SPADE

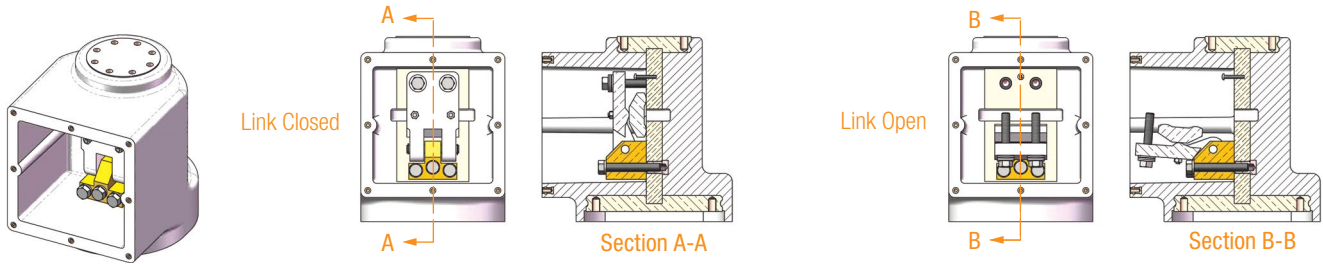


THREADED STUD



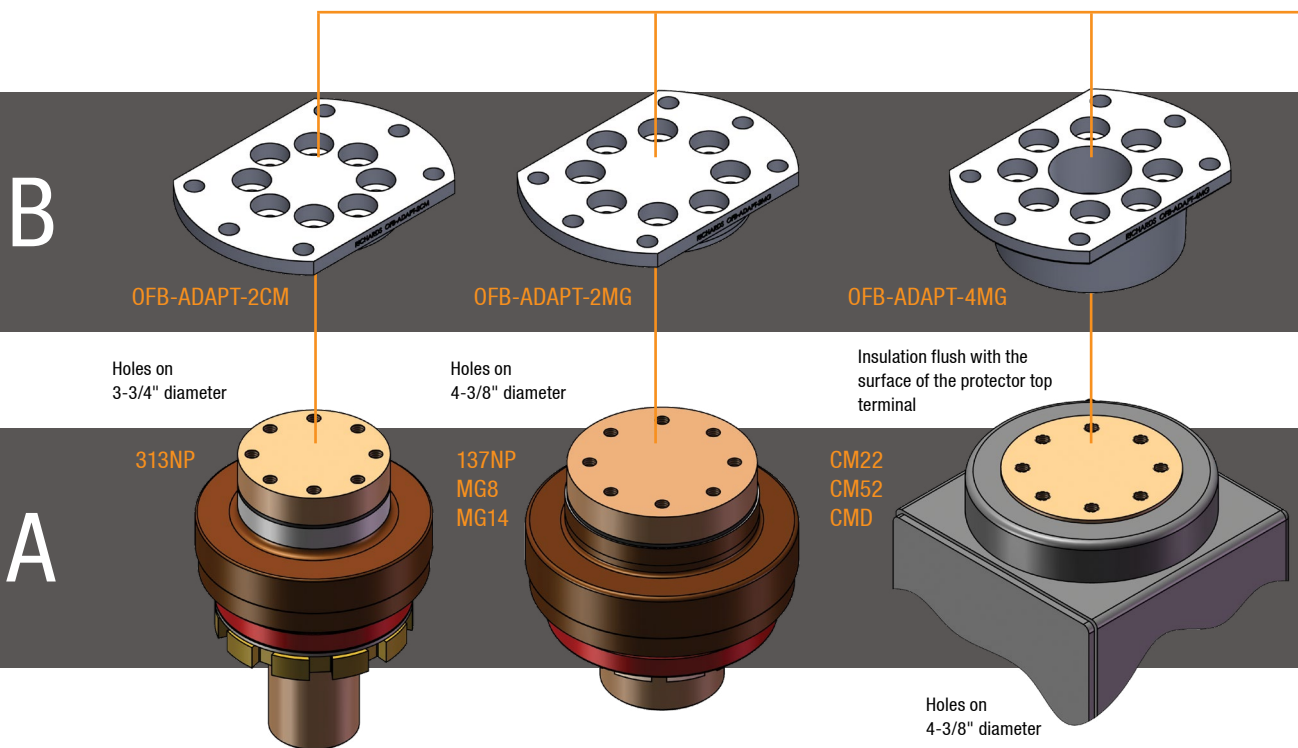
1-1/2" diameter

# Retrofit your large (>2250A) existing Network Protector with one of the Large Richards OLBs



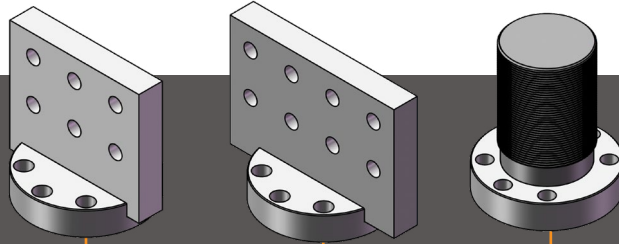
## It only takes a few simple steps to identify and select the items you'll need for the installation of the OLB

- A. Identify the type of terminal that currently exists on your network protector.
- B. Select the corresponding adapter.
- C. Order the appropriate number of OLBs (one standard design fits all terminal types via the appropriate Richards adapter).
- D. Select the new terminal to be attached to the top of the OLB.





D



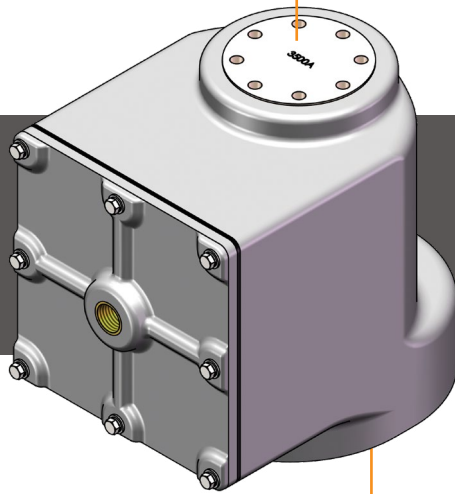
312-1226-00

312-1227-00

312-1322-00

Other terminals available  
See page OF13 for more options  
All require a 3-3/4" mount hole spacing

C



OFBOX3LS  
Submersible (3500A)

OFBOX4LS  
Submersible (4500A)

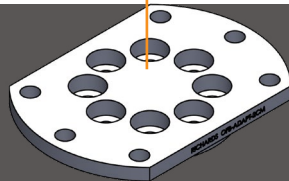
OR

OFBOX3LN  
Non-Submersible

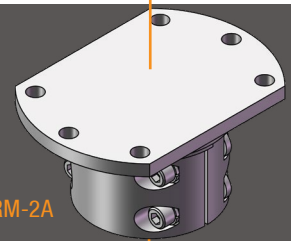
OFBOX4LN  
Non-Submersible

Choose the OFBOX3LS for units that are  
2250A – 3500A

Choose the OFBOX4LS for units that are  
4500A

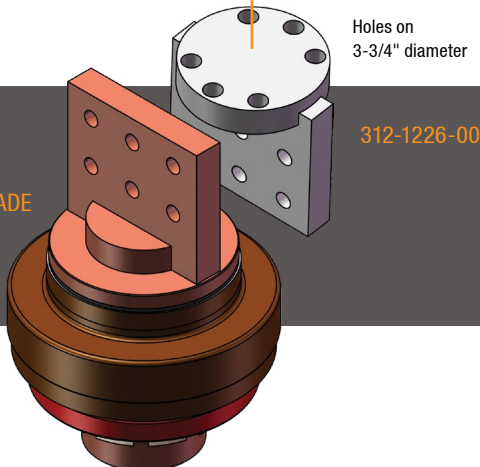


OFB-ADAPT-2CM



OFB-TERM-2A

SPADE

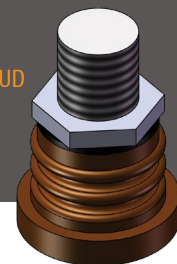


312-1226-00

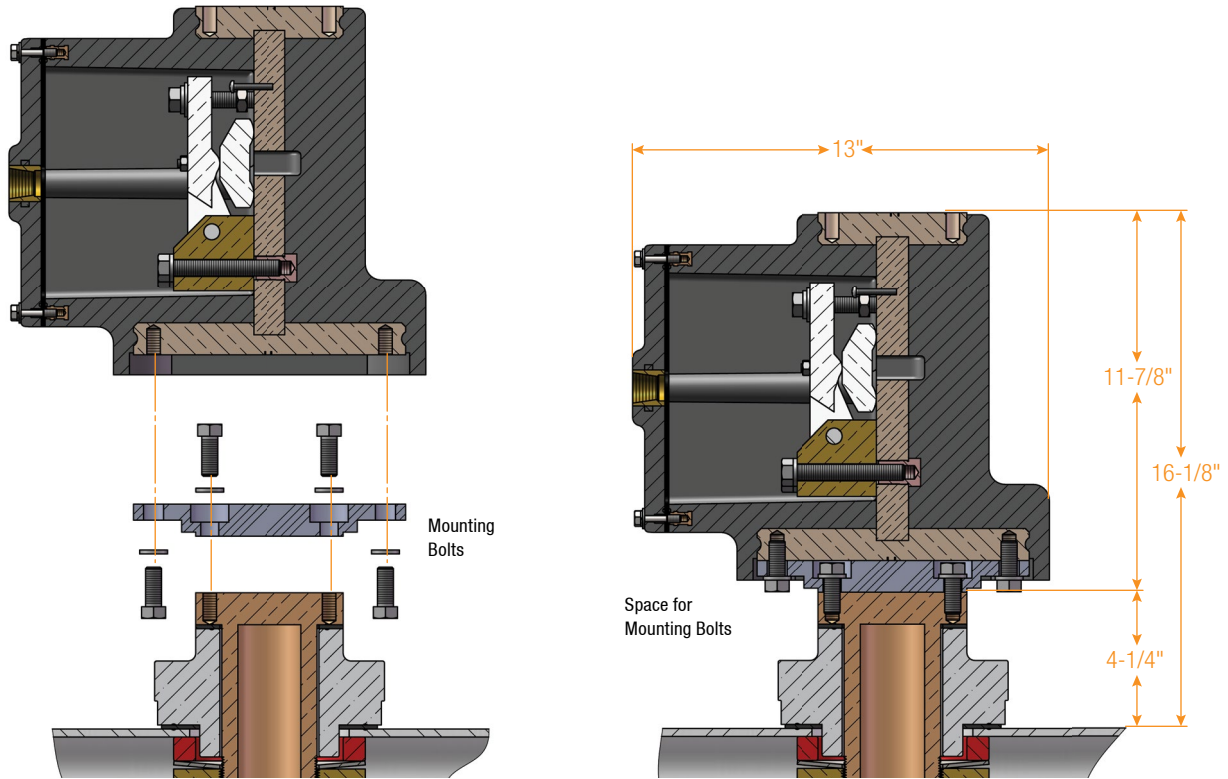
Holes on  
3-3/4" diameter

THREADED STUD

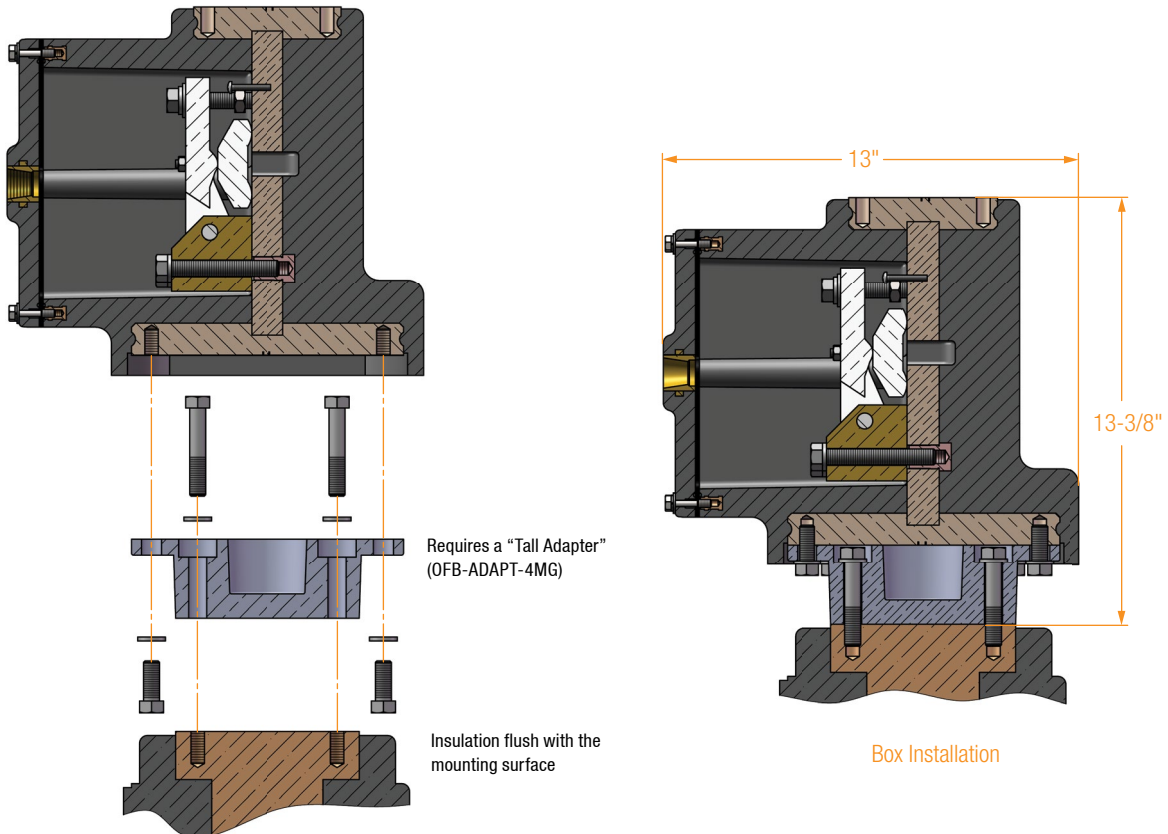
3" diameter



## FLAT ADAPTER INSTALLATION

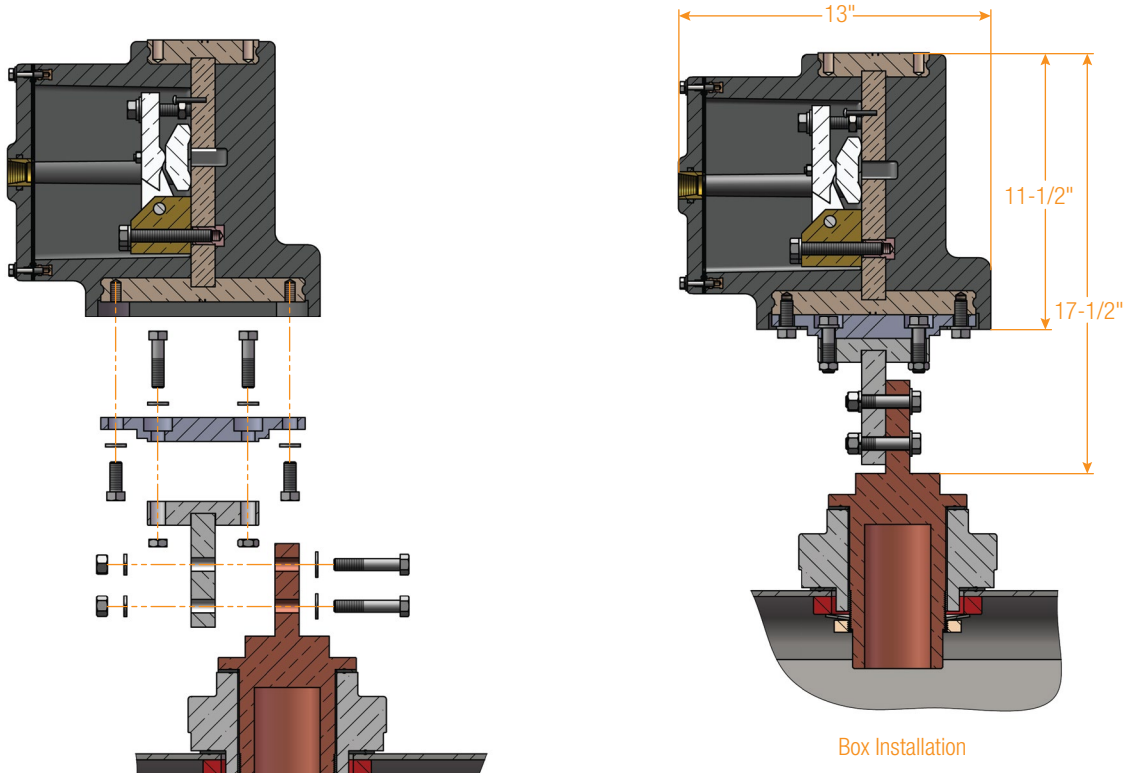


## TALL ADAPTER INSTALLATION

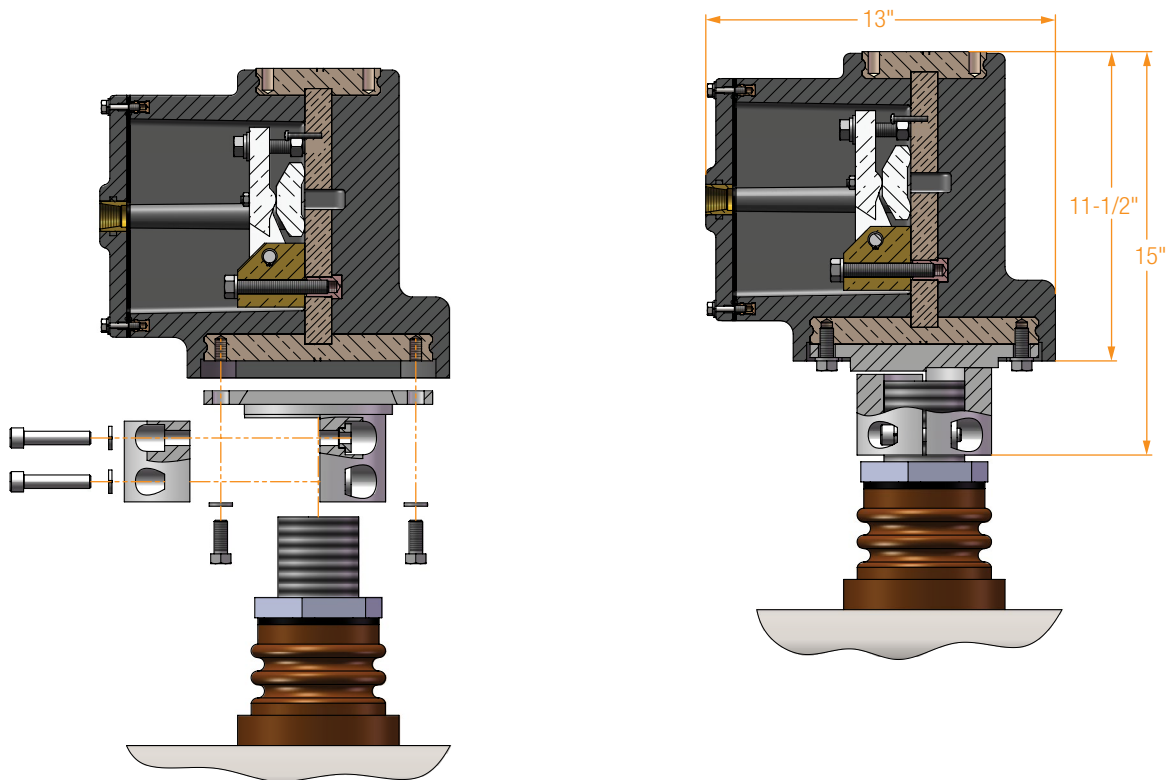


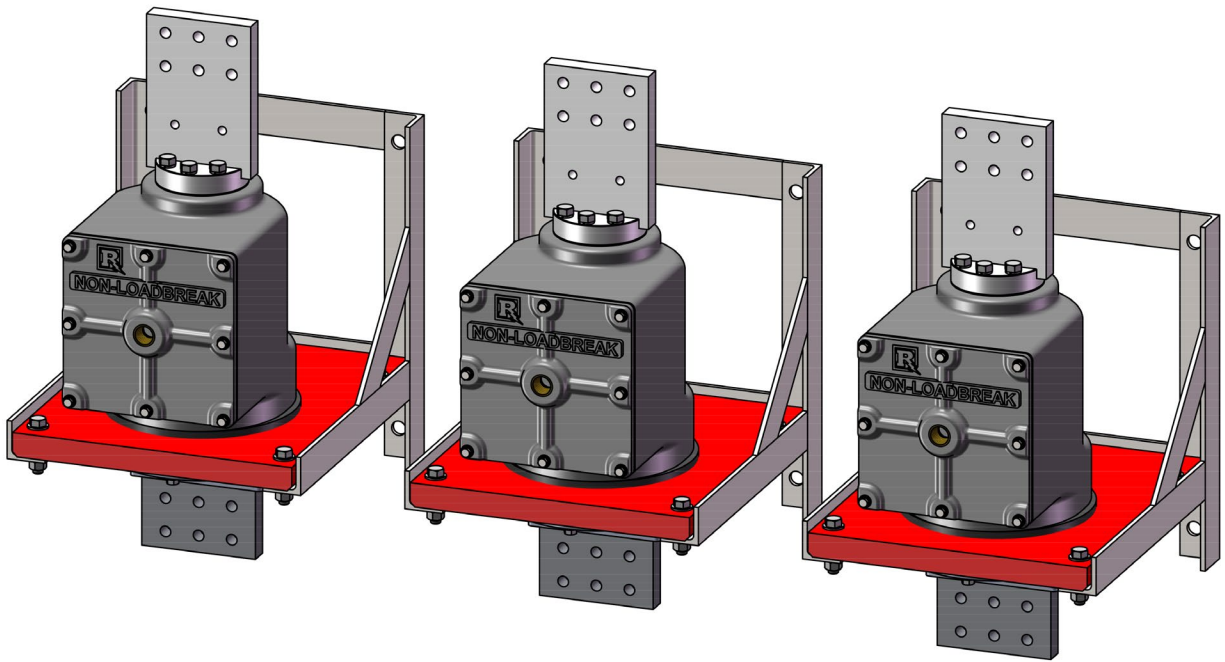


## SPADE ADAPTER INSTALLATION

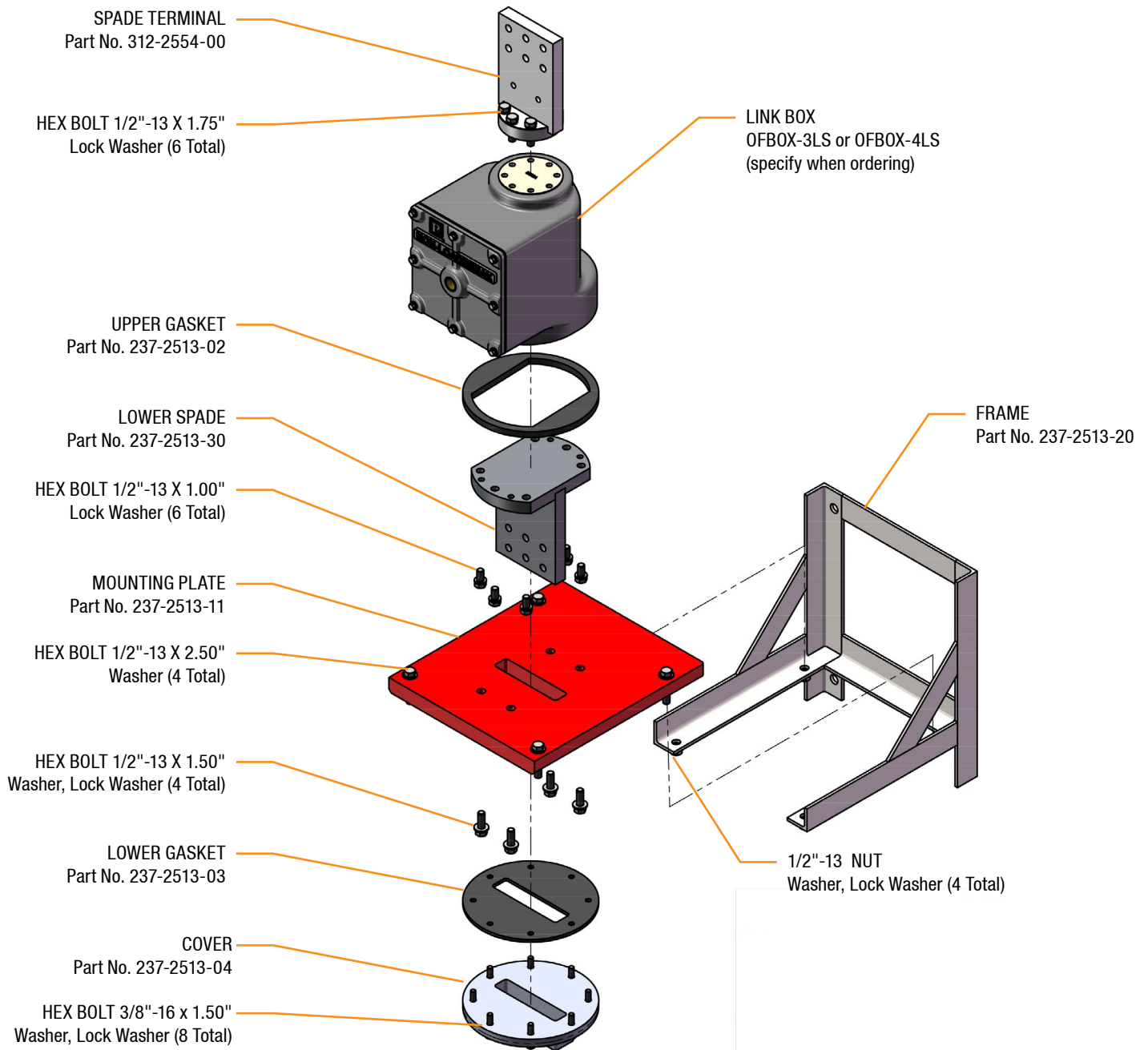


## THREADED STUD ADAPTER INSTALLATION

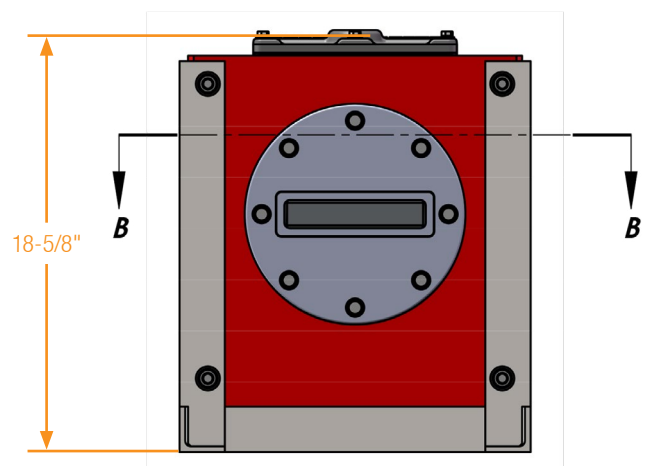
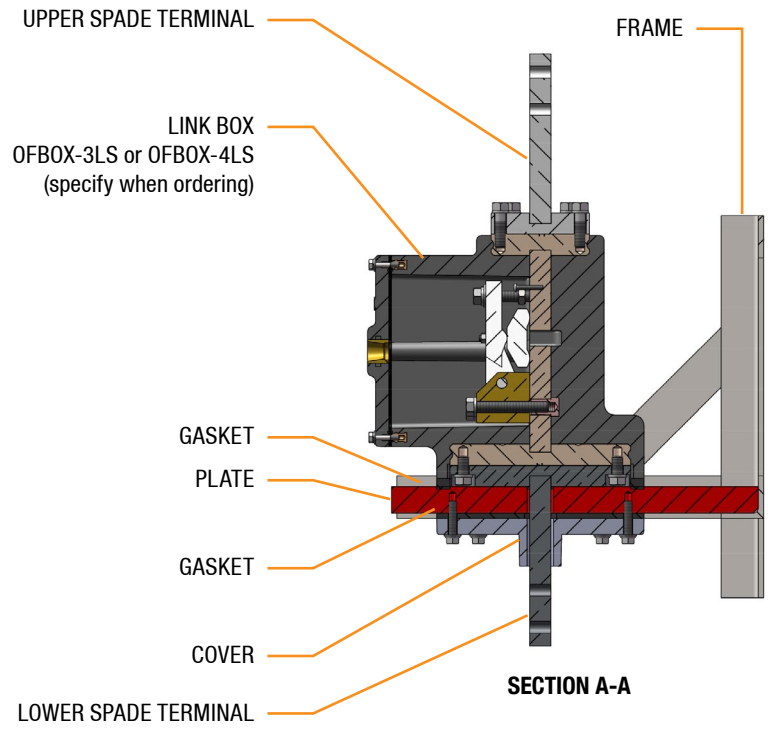
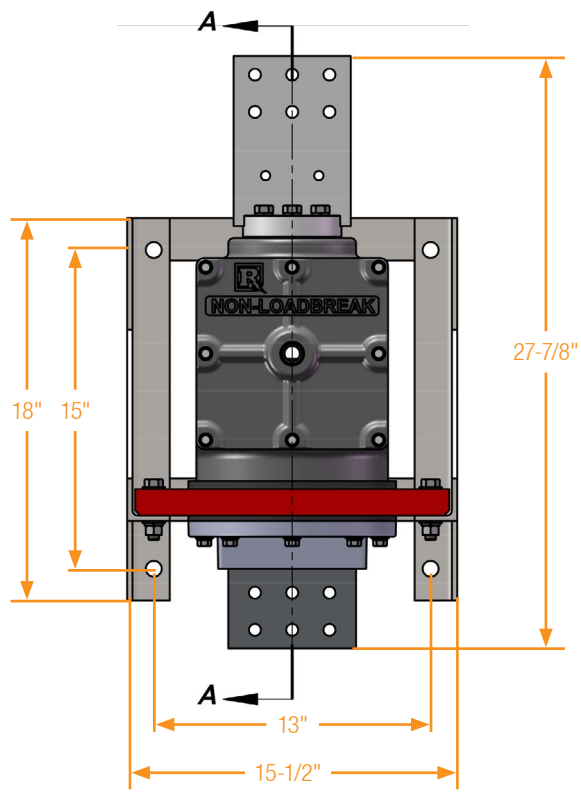




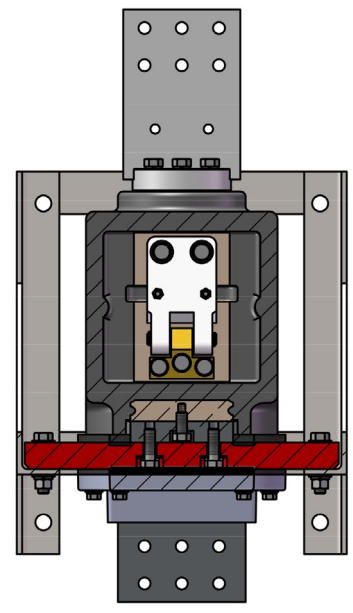
# WALL-MOUNTED ASSEMBLY



**COMPLETE KIT PART NUMBER: 237-2513-00**  
**INCLUDES ALL PARTS SHOWN ABOVE**



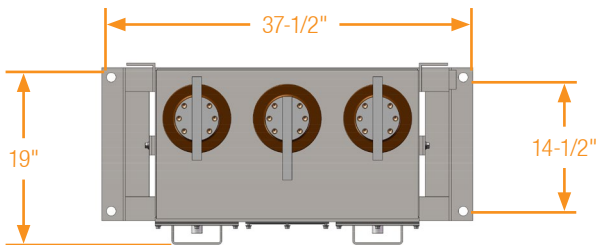
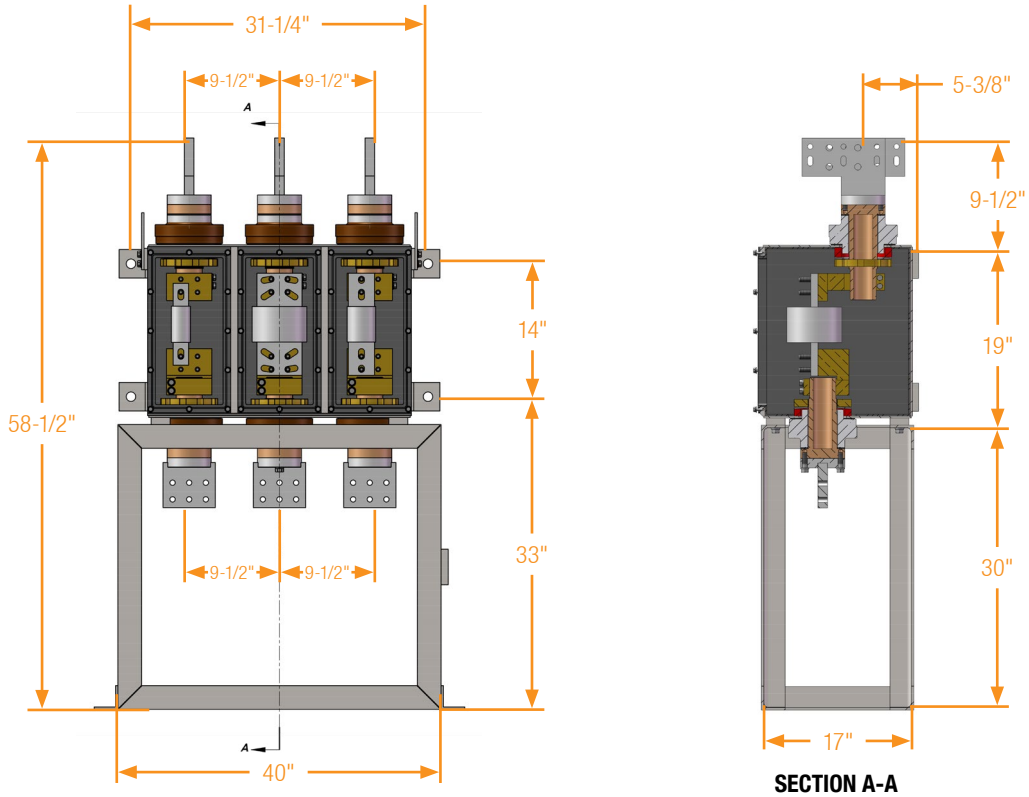
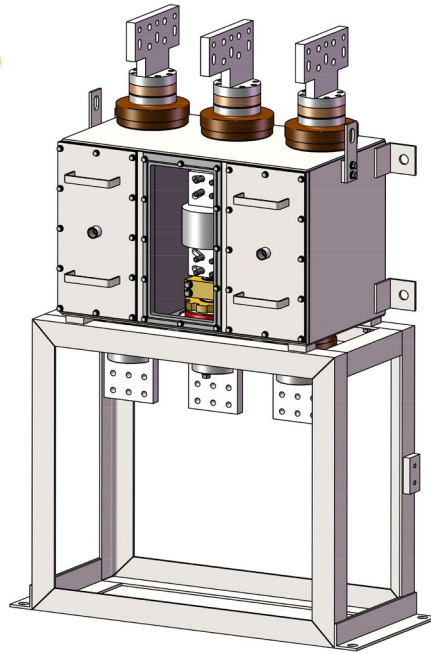
**BOTTOM VIEW**



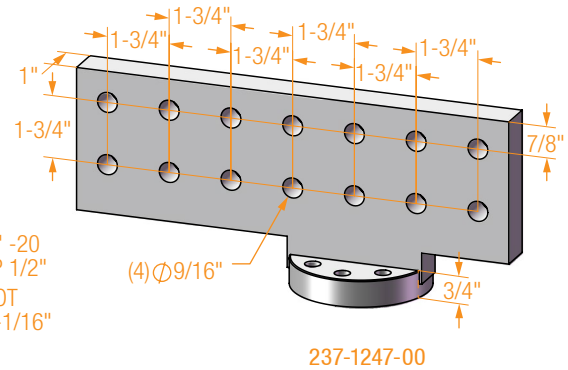
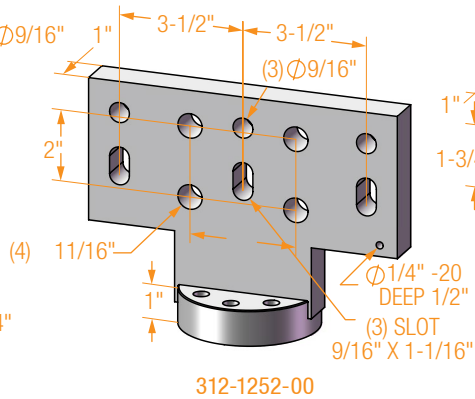
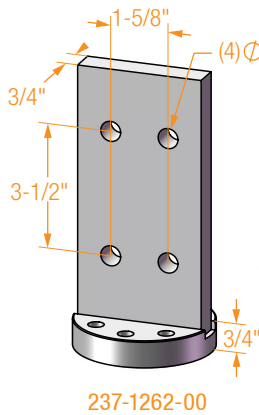
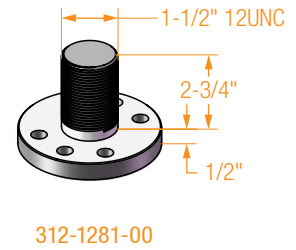
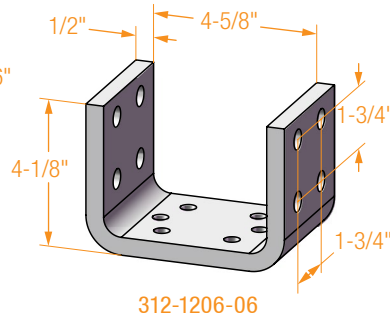
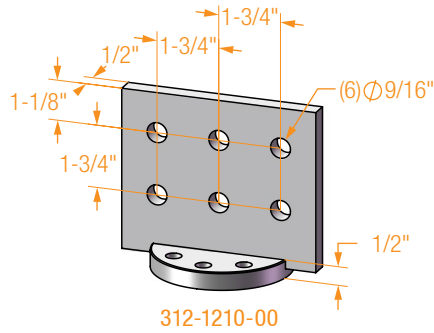
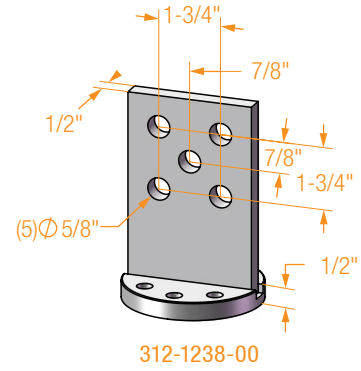
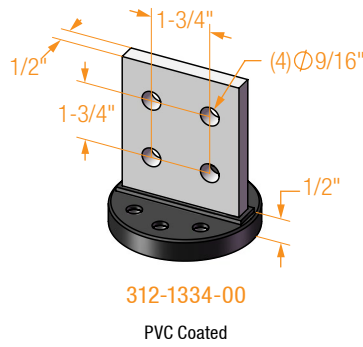
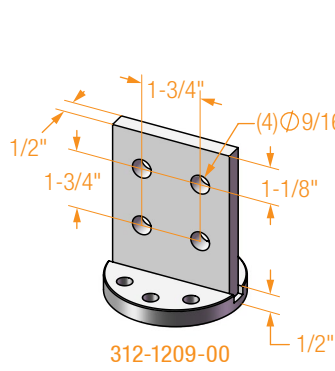
**SECTION B-B**

# FUSE CHAMBER

COMPLETE KIT PART NUMBER: 237-2515-00  
(FUSES NOT INCLUDED)



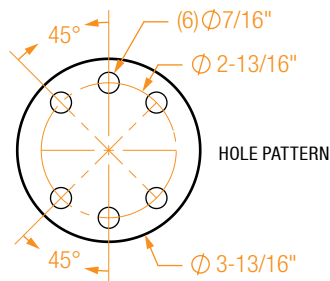
**TOP VIEW**



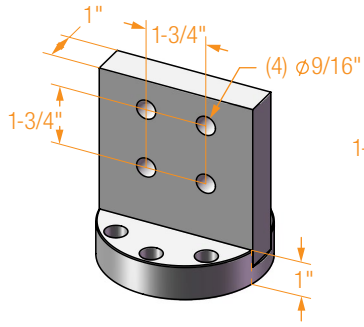
\* requires 1-1/4" long mounting bolts.

\* requires 1-1/2" long mounting bolts.

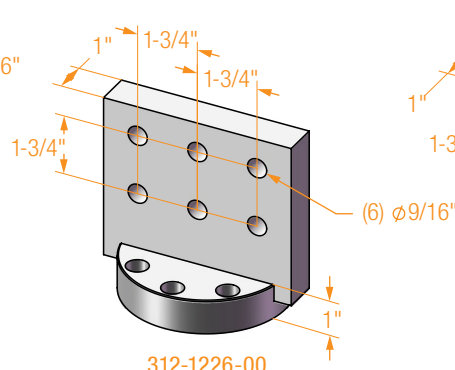
\* requires 1-1/4" long mounting bolts.



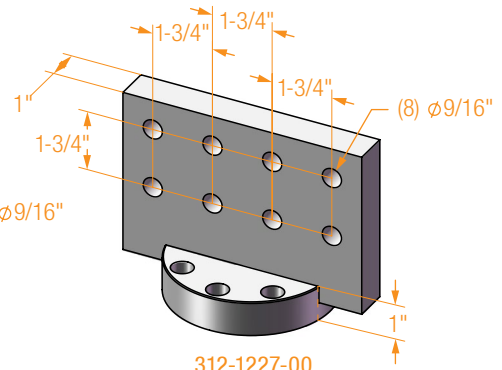




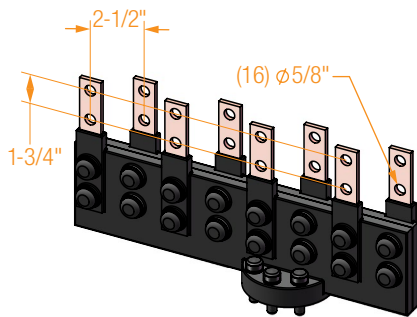
312-1225-00



312-1226-00

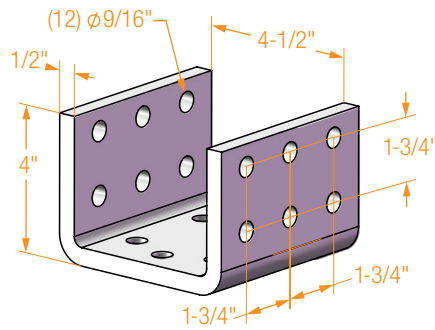


312-1227-00

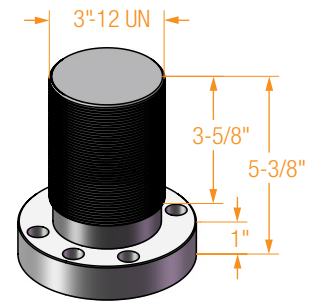


312-1320-00

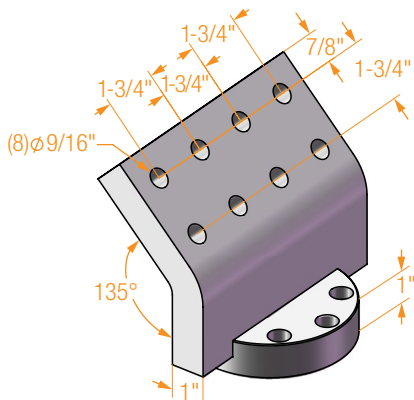
PVC Coated



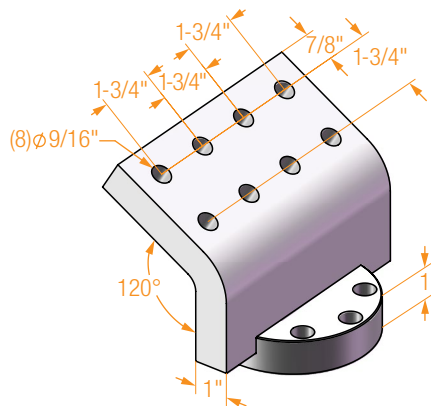
312-1208-01



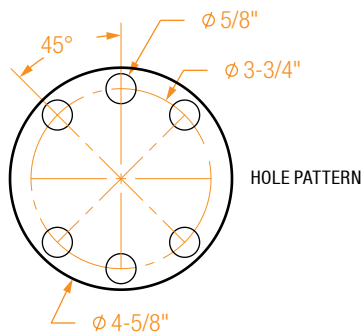
312-1322-00

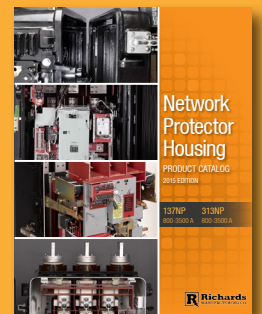
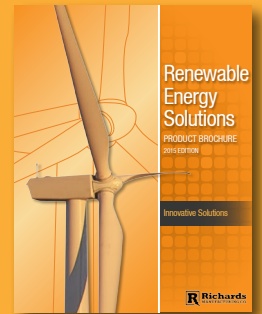
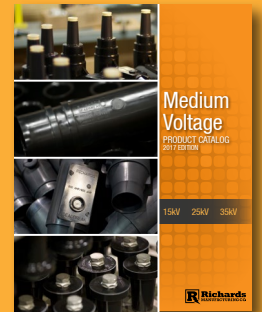


237-1295-00



237-1296-00





OLB0318



517 Lyons Avenue, Irvington, NJ 07111  
973.371.1771 | www.Richards-Mfg.com