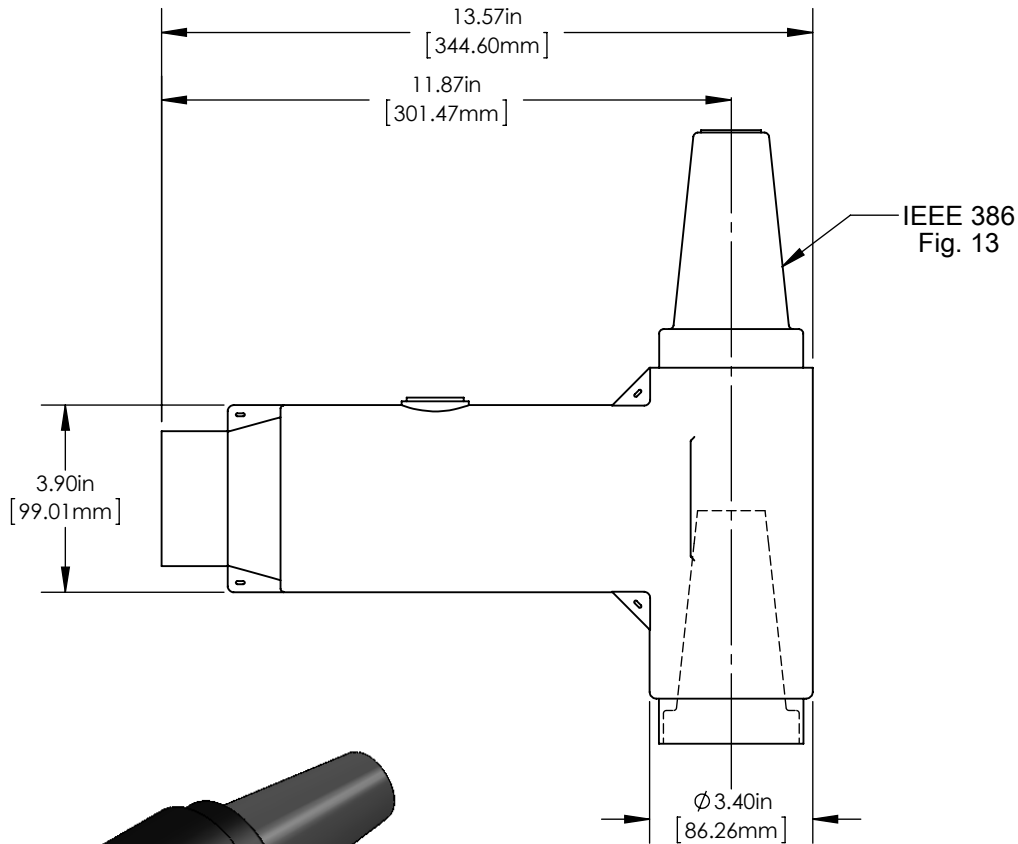


# Product Specifications

## 35 kV 600A R-Stack Elbow



Richards 35 kV 600A R-Stack Elbow (63CBN) is an elbow with a connecting plug molded directly into the elbow body. This design offers a more reliable, easier-to-install option at a competitive cost.

Its smaller stack height (four inches for every two elbows) is invaluable in smaller cabinets and manholes.

### Product Ratings

Operating Voltage	21.1 kV
Impulse Withstand	150 kV BIL
AC Withstand	50 kV
DC Withstand	103 kV
Partial Discharge	26 kV CEV
Momentary	10 kA, 3 sec. 25 kA, 10 cycles
Continuous Current	600 Amp

Richards 35 kV 600A R-Stack Elbow (63CBN) was designed and validated against the following industry standards:

- ANSI/IEEE Std. 386: For Separable Insulated Connector Systems
- ANSI C119.4: For Electric Connectors
- IEEE Std. 592: For Exposed Semiconducting Shields