

8

7

6

5

4

3

2

1

Cold Shrink 600A Deadbreak Elbow w/ Test Point
As Molded

D

D

C

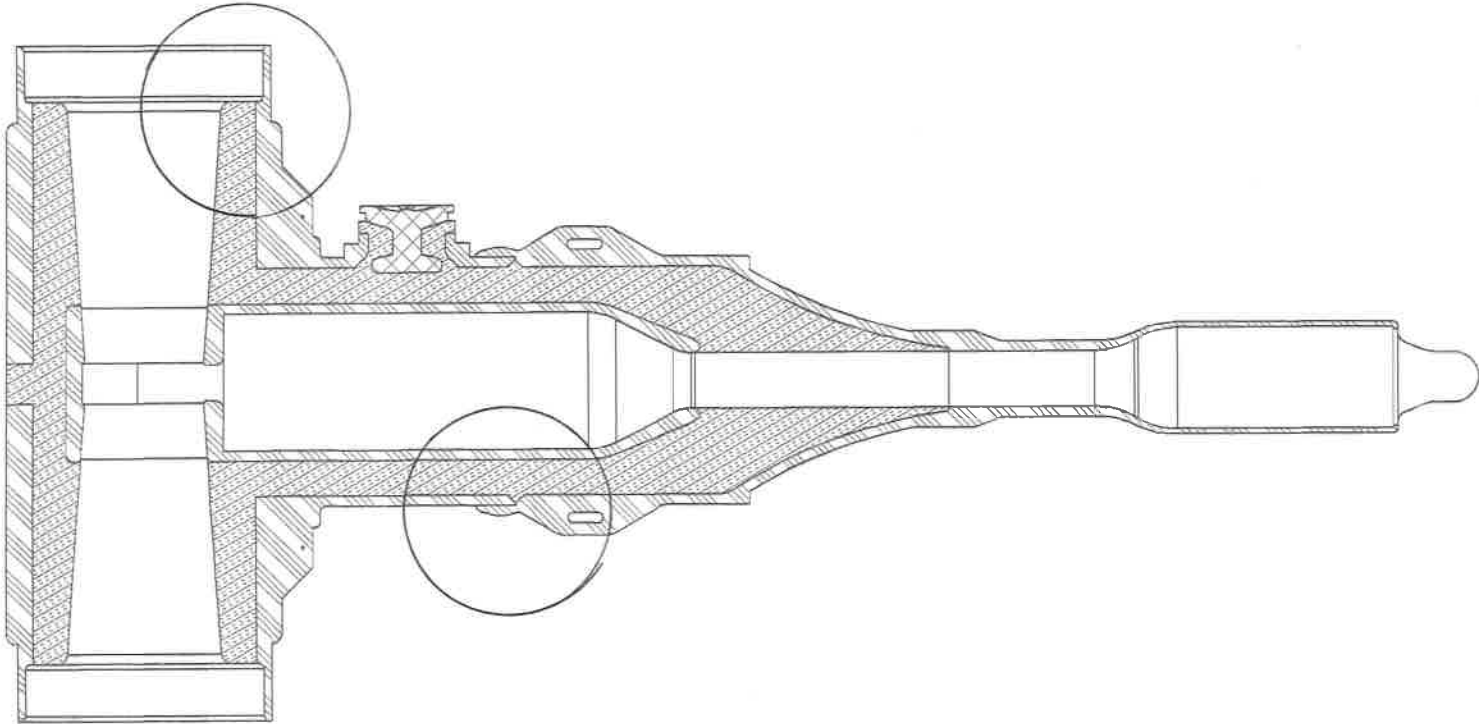
C

B

B

A

A



8

7

6

5

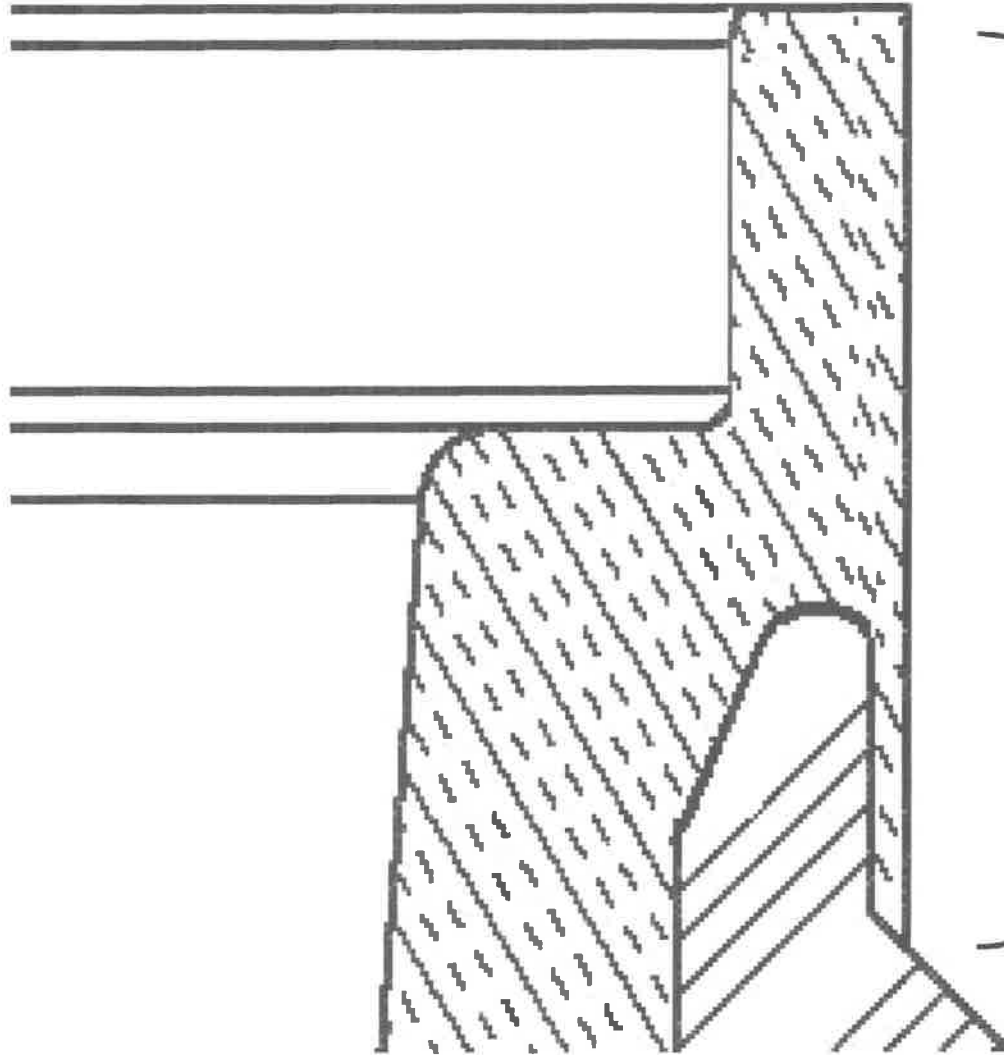
4

3

2

1

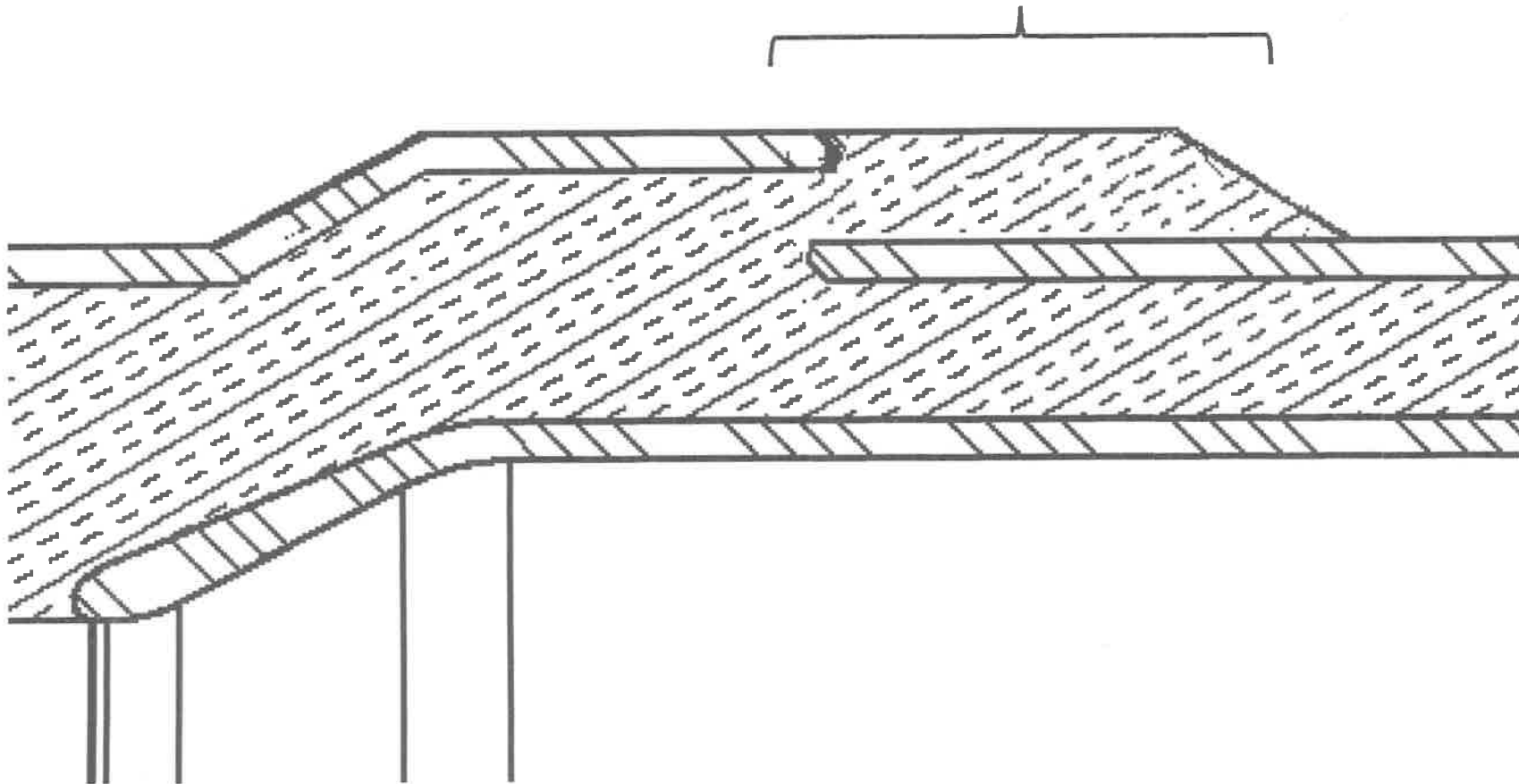
Shield Break Detail of Circle at Bushing Cuff



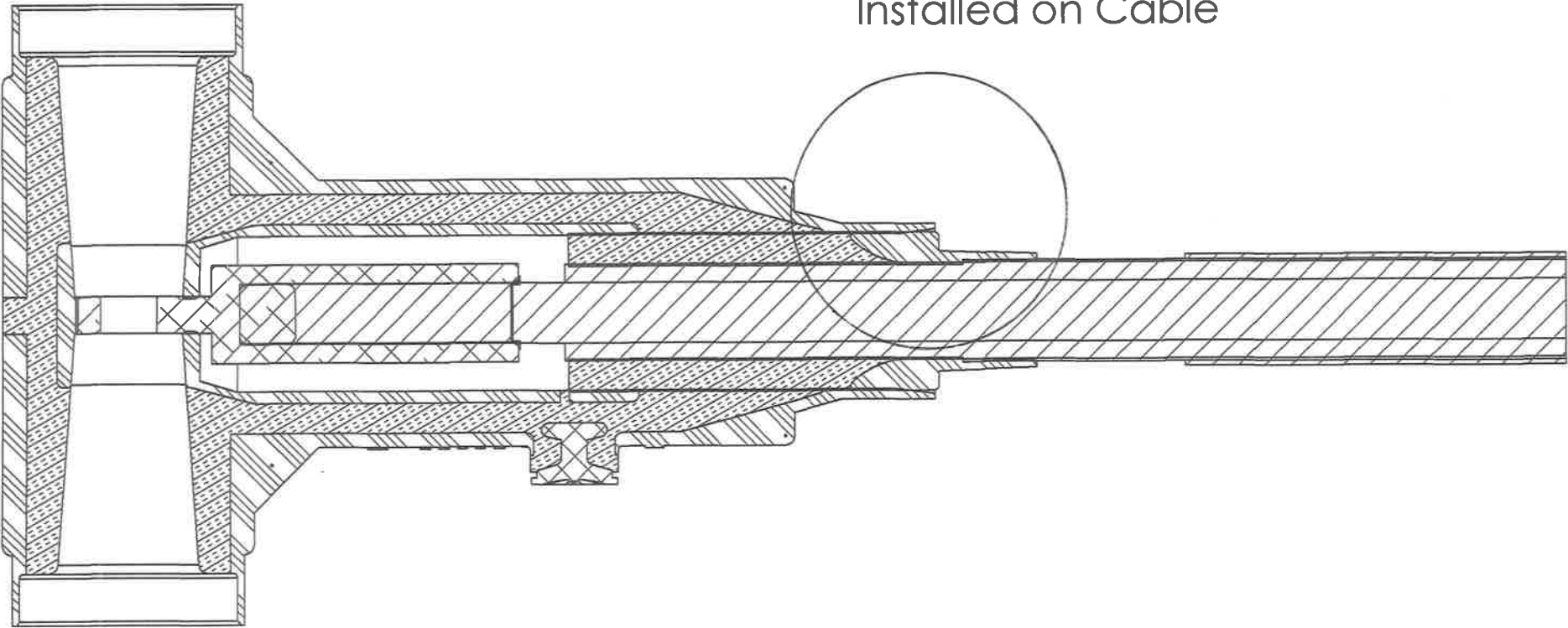
Length of insulation overlap in this region dictated by shield break electrical requirements

Shield Break Detail of Circle at Jacket Overlap

Length of insulation overlap in this region
dictated by shield break electrical
requirements



Prior Art - Standard 600A Deadbreak Elbow
Installed on Cable



Shield Break Detail at Cable Adapter

Length of insulation overlap in this region
dictated by shield break electrical
requirements

