



600A and 900A Disconnectable Bus System with Load Break Tap for testing, grounding, or tap

- Per Fig 21:
- 600A Elbow
 - Insulated Cap
 - Grounding Elbow

- Straight Receptacle for Disconnectable buses Fig. 24*

- 600A/900A Deadbreak Interface Fig. 13, 14, 15, 16*



- Insulated Cap for Disconnectable buses Fig. 24*

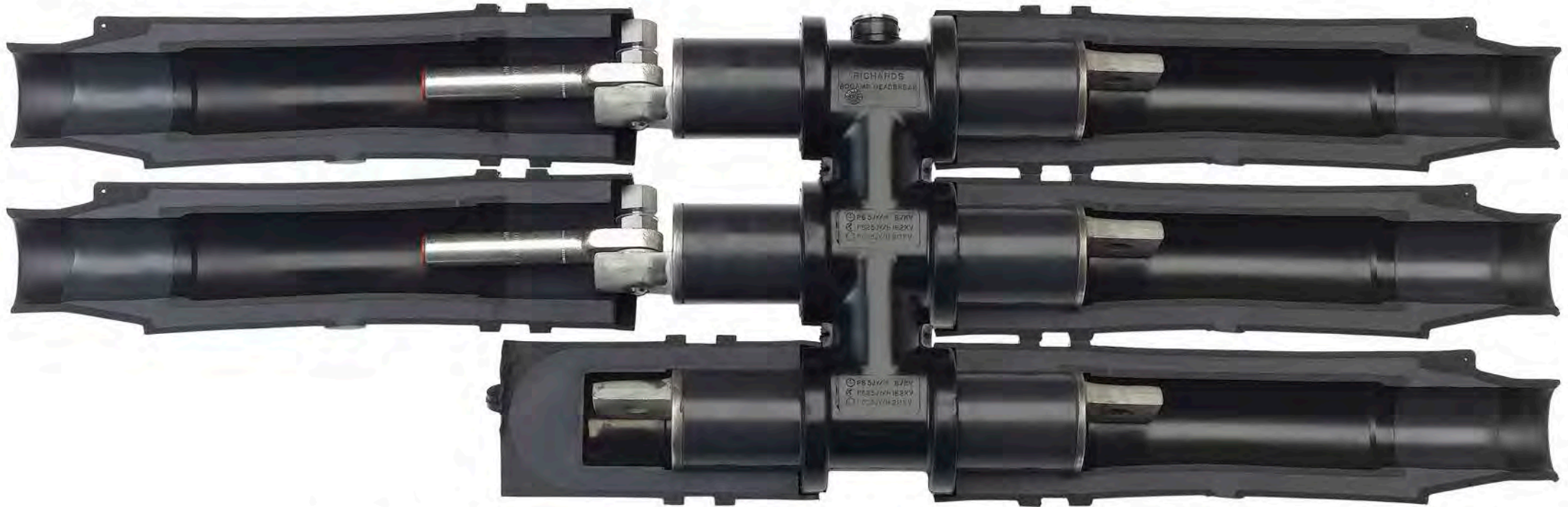
- 600A/900A Disconnectable I, Y, H, U bus Fig. 24*

600A and 900A Disconnectable Bus System with 600A/900A Dead Break tap for testing, grounding or tap



600A and 900A Disconnectable Bus System with 200A Dead Break tap for testing, grounding, or tap

- Straight Receptacle for Disconnectable buses Fig. 24*



- Insulated Cap for Disconnectable buses Fig. 24*

- 600A/900A Disconnectable I, Y, H, U bus Fig. 24*

2 way (I), 3 way (Y), 4 way (H), 5 way, or 6 way Disconnectable Bus System