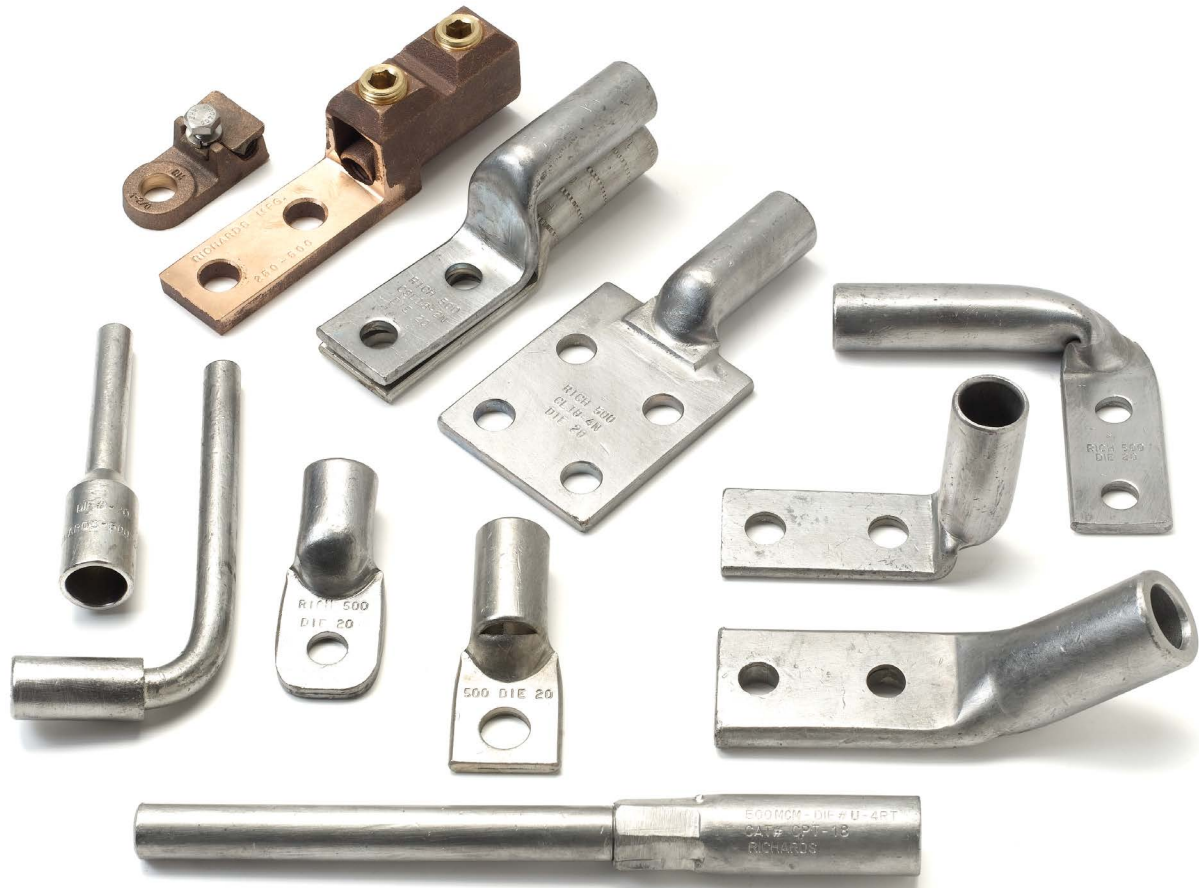



Copper Compression Lugs

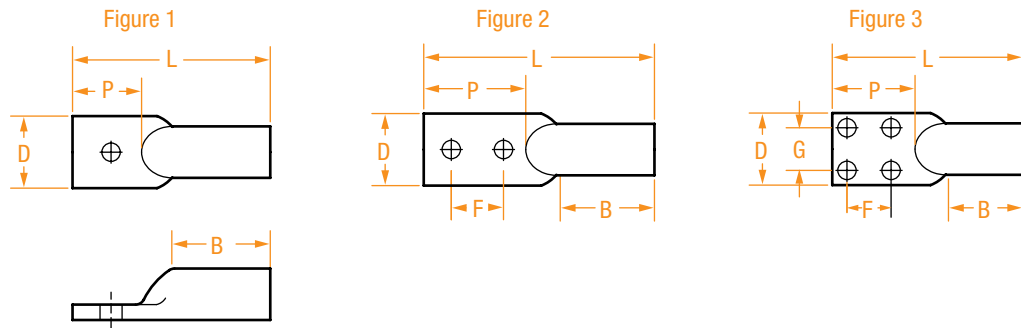


COPPER COMPRESSION LUGS	SERIES	PAGE
Short-Barrel Copper Lugs	SCL Series	17
Short-Barrel Copper Lugs	SCL Series (continued)	18
One-Hole Copper Lugs	CL Series	19
One-Hole Copper Lugs	CL Series (continued)	20
Straight & Stacking Two-Hole Copper NEMA Lugs	CL-2N & CSL-2N Series	21
Straight & Stacking Two-Hole Copper NEMA Lugs	CL-2N & CSL-2N Series (continued)	22
Four-Hole Copper Lugs	CL-4N Series	23
Heavy-Duty Copper Lugs	HDCL Series	24
Tapered Copper Lugs	TCL Series	25
Tapered Copper Lugs	TCL Series (continued)	26
One-Hole Peephole Copper Lugs	CL-P Series	27
One-Hole Peephole Copper Lugs	CL-P Series (continued)	28
Two- & Four-Hole Peephole Copper NEMA Lugs	CL-N-P Series	29
Mechanical Copper Lugs	ML Series	30
Angled Copper Lugs	CL-2N-90 Series	31
Shrouded Copper Lugs	CL-66 Series	32
Copper Pin Terminals	CPT Series	33
Ring Bus Copper Lugs Assembly	MT Series	34

SHORT-BARREL COPPER LUGS

SCL Series

- Made of seamless copper tubing.
- Tin-plated to resist corrosion.
- Marked with conductor sizes and die information.
-  UL listed.



PART NUMBER	FIGURE	WIRE SIZE	BOLT SIZE	INSTALLING DIES	DIMENSIONS IN INCHES				
					L	B	P	D	F & G
SCL3	1	6	8, 9, or 10	J, 7, TE, 24	1-17/32	13/16	17/32	13/32	-
SCL3-1/4	1	6	1/4	J, 7, TE, 24	1-11/16	13/16	11/16	7/16	-
SCL3-5/16	1	6	5/16	J, 7, TE, 24	1-25/32	13/16	23/32	1/2	-
SCL5	1	4	8, 9 or 10	5/16, 8, TP, 29	1-1/2	13/16	1/2	1/2	-
SCL5-1/4	1	4	1/4	5/16, 8, TP, 29	1-3/4	13/16	11/16	1/2	-
SCL5-3/8	1	4	3/8	5/16, 8, TP, 29	1-15/16	13/16	7/8	19/32	-
SCL7-1/4	1	2	1/4	3/8, 10, TL-TN, 33	1-7/8	7/8	7/8	5/8	-
SCL7-5/16	1	2	5/16	3/8, 10, TL-TN, 33	1-7/8	7/8	7/8	5/8	-
SCL7-3/8	1	2	3/8	3/8, 10, TL-TN, 33	1-7/8	7/8	7/8	5/8	-
SCL7-2(3/8)	2	2	3/8	3/8, 10, TL-TN, 33	3	7/8	1-7/8	5/8	1
SCL7-390	1	2	3/8	3/8, 10, TL-TN, 33	1-3/4	7/8	7/8	11/16	-
SCL8-5/16	1	1	5/16	3/8, 11, TB, 37	1-31/32	7/8	25/32	11/16	-
SCL9-5/16	1	1/0	5/16	1/2, 12, TQ, 42	2-1/32	7/8	25/32	3/4	-
SCL9-3/8	1	1/0	3/8	1/2, 12, TQ, 42	2-5/32	7/8	29/32	3/4	-
SCL9-2(5/16)	2	1/0	5/16	1/2, 12, TQ, 42	2-15/16	7/8	1-21/32	3/4	7/8
SCL10-2(1/4)	2	2/0	1/4	9/16, 13, TS, 45	3-1/4	15/16	1-3/4	13/16	7/8
SCL10-2(3/8)	2	2/0	3/8	9/16, 13, TS, 45	3-1/4	15/16	1-3/4	13/16	7/8
SCL10-3/8	1	2/0	3/8	9/16, 13, TS, 45	2-9/32	15/16	29/32	13/16	-
SCL10	1	2/0	1/2	9/16, 13, TS, 45	3	1-1/8	1-3/8	13/16	7/8
SCL10-2N	2	2/0	1/2	9/16, 13, TS, 45	4-15/32	15/16	3	13/16	1-3/4

(continued)

SHORT-BARREL COPPER LUGS


SCL Series (continued)

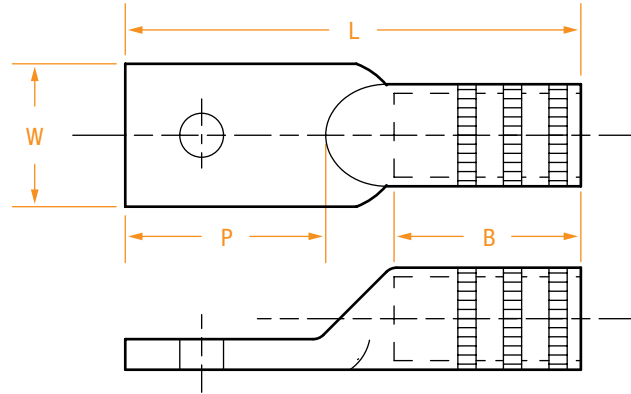
PART NUMBER	FIGURE	WIRE SIZE	BOLT SIZE	INSTALLING DIES	DIMENSIONS IN INCHES				
					L	B	P	D	F & G
SCL11-2(3/8)	2	3/0	3/8	5/8, 14, TU, 50	3-1/4	1-1/4	1-7/8	15/16	7/8
SCL11-3/8	1	3/0	3/8	5/8, 14, TU, 50	2-3/8	1-1/4	29/32	29/32	-
SCL11-2N	2	3/0	1/2	5/8, 14, TU, 50	4-19/32	1-1/4	3	29/32	1-3/4
SCL12-3/8	1	4/0	3/8	5/8, 15, TW-TY, 54	2-1/2	1-1/4	7/8	1	-
SCL12	1	4/0	1/2	5/8, 15, TW-TY, 54	2-1/2	1-1/4	7/8	1	-
SCL12-2N	2	4/0	1/2	5/8, 15, TW-TY, 54	4-3/4	1-1/4	3	1-1/32	1-3/4
SCL13	1	250	1/2	11/16, 16, TR, 60	2 11/16	1-1/4	1-5/32	1-3/32	-
SCL13-2N	2	250	1/2	11/16, 16, TR, 60	4-3/4	1-1/4	3	1-3/32	1-3/4
SCL14	1	300	1/2	781, 17, TV, 66	2-15/16	1-1/4	1-5/32	1-3/16	-
SCL14-2N	2	300	1/2	781, 17, TV, 66	4-13/16	1-1/4	3	1-3/16	1-3/4
SCL15	1	350	1/2	840, 18, TX, 71	3	1-1/8	1-1/2	1-9/32	-
SCL15-2N	2	350	1/2	840, 18, TX, 71	4-29/32	1-1/8	3	1-9/32	1-3/4
SCL16	1	400	5/8	15/16, 19, TX, 76	3-11/32	1-13/32	1-13/32	1-3/16	-
SCL16-2N	2	400	1/2	15/16, 19, TX, 76	5-1/32	1-3/16	3	1-13/16	1-3/4
SCL18	1	500	5/8	1, 20, TH, 87	3-5/8	1-3/8	1-1/2	1-17/32	-
SCL18-2N	2	500	1/2	1, 20, TH, 87	5-5/16	1-3/8	3	1-17/32	1-3/4
SCL20	1	600	5/8	1-1/8, 22, 96	3-13/16	1-3/8	1-3/4	1-11/16	-
SCL20-2N	2	600	1/2	1-1/8, 22, 96	4-1/8	1-3/8	3	1-11/16	1-3/4
SCL23	1	750	5/8	1-5/16, 24, 106	4-11/32	1-5/8	1-15/16	1-29/32	-
SCL23-2N	2	750	1/2	1-5/16, 24, 106	5-3/4	1-5/8	3	1-29/32	1-3/4
SCL28	1	1000	5/8	1-1/2, 27, 125	4-7/8	1-7/8	2-1/8	2-3/16	-
SCL28-2N	2	1000	1/2	1-1/2, 27, 125	6-5/32	1-7/8	3	2-3/16	1-3/4
SCL28-4N	3	1000	3/8	1-1/2, 27, 125	4-15/16	1-7/8	2-3/16	2-3/16	1-1/8
SCL30	1	1500	3/4	31	5-15/32	2	2-1/4	2-11/16	-
SCL30-2N	2	1500	1/2	31	6-17/32	2	3	2-11/16	1-3/4
SCL30-4N	3	1500	1/2	31	5-27/32	2	2-5/8	2-11/16	1-3/8
SCL32	1	2000	3/4	34	5-15/16	2-1/4	2-3/8	3-1/16	-
SCL32-2N	2	2000	1/2	34	7	2-1/4	3	3-1/16	1-3/4
SCL32-4N	3	2000	1/2	34	6-5/16	2-1/4	2-3/4	3-1/16	1-1/2

FOR OTHER SIZES, CONTACT YOUR SALES REPRESENTATIVE OR THE FACTORY.

ONE-HOLE COPPER LUGS

CL Series

- Made of seamless copper tubing.
- Tin-plated to resist corrosion.
- Marked with conductor sizes and die information.
-  UL listed.



PART NUMBER	WIRE SIZE	BOLT SIZE	INSTALLING DIES	DIMENSIONS IN INCHES			
				B	L	P	W
CL2-1/4	8	1/4	1/4, 6, TC, 21	1	1-25/32	19/32	13/32
CL2-5/16	8	5/16	1/4, 6, TC, 21	1	1-15/16	3/4	7/16
CL2-3/8	8	3/8	1/4, 6, TC, 21	1	1-15/16	3/4	15/16
CL3-1/4	6	1/4	J, 7, TE, 24	1-1/8	2-1/8	3/4	1/2
CL3-5/16	6	5/16	J, 7, TE, 24	1-1/8	2-1/8	3/4	1/2
CL3-3/8	6	3/8	J, 7, TE, 24	1-1/8	2-1/8	3/4	11/16
CL5-1/4	4	1/4	5/16, 8, TP, 29	1-3/16	2-1/16	3/4	5/8
CL5-5/16	4	5/16	5/16, 8, TP, 29	1-3/16	2-1/16	3/4	5/8
CL5-3/8	4	3/8	5/16, 8, TP, 29	1-3/16	2-1/16	3/4	5/8
CL7-1/4	2	1/4	3/8, 10, TL-TN, 33	1-1/4	2-1/4	3/4	11/16
CL7-5/16	2	5/16	3/8, 10, TL-TN, 33	1-1/4	2-1/4	3/4	11/16
CL7-3/8	2	3/8	3/8, 10, TL-TN, 33	1-1/4	2-1/4	3/4	11/16
CL7	2	1/2	3/8, 10, TL-TN, 33	1-1/4	2-5/8	1	7/8
CL8-1/4	1	1/4	3/8, 11, TB, 37	1-3/8	2-43/64	57/64	11/16
CL8-5/16	1	5/16	3/8, 11, TB, 37	1-3/8	2-43/64	57/64	11/16
CL8-3/8	1	3/8	3/8, 11, TB, 37	1-3/8	2-43/64	57/64	11/16
CL8	1	1/2	3/8, 11, TB, 37	1-3/8	2-57/64	1-7/64	3/4
CL9-5/16	1/0	5/16	1/2, 12, TQ, 42	1-7/16	2-49/64	57/64	3/4
CL9-3/8	1/0	3/8	1/2, 12, TQ, 42	1-7/16	2-49/64	57/64	3/4
CL9	1/0	1/2	1/2, 12, TQ, 42	1-7/16	2-63/64	1-7/64	3/4
CL10-5/16	2/0	5/16	9/16, 13, TS, 45	1-1/2	2-57/64	57/64	13/16
CL10-3/8	2/0	3/8	9/16, 13, TS, 45	1-1/2	2-57/64	57/64	13/16
CL10	2/0	1/2	9/16, 13, TS, 45	1-1/2	3-7/64	1-7/64	13/16

(continued)

ONE-HOLE COPPER LUGS


CL Series (continued)

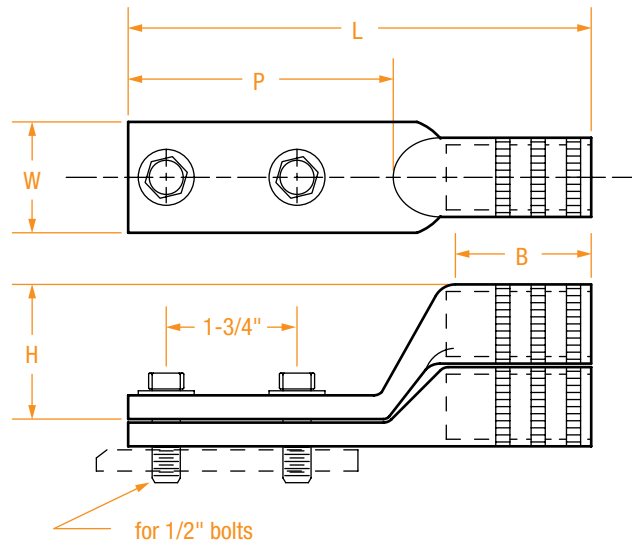
PART NUMBER	WIRE SIZE	BOLT SIZE	INSTALLING DIES	DIMENSIONS IN INCHES			
				B	L	P	W
CL11-5/16	3/0	5/16	5/8, 14, TU, 50	1-1/2	2-59/64	57/64	29/32
CL11-3/8	3/0	3/8	5/8, 14, TU, 50	1-1/2	3-9/64	1-7/64	29/32
CL11	3/0	1/2	5/8, 14, TU, 50	1-1/2	3-9/64	1-7/64	29/32
CL12-5/16	4/0	5/16	5/8-1, 15, TW-TY, 54	1-9/16	3-1/64	57/64	1
CL12-3/8	4/0	3/8	5/8-1, 15, TW-TY, 54	1-9/16	3-15/64	1-7/64	1
CL12	4/0	1/2	5/8-1, 15, TW-TY, 54	1-9/16	3-15/64	1-7/64	1
CL13-5/16	250	5/16	11/16, 16, TR, 60	1-5/8	3-11/64	57/64	1-1/8
CL13-3/8	250	3/8	11/16, 16, TR, 60	1-5/8	3-25/64	1-7/64	1-1/8
CL13	250	1/2	11/16, 16, TR, 60	1-5/8	3-25/64	1-7/64	1-1/8
CL14-3/8	300	3/8	781, 17, TV, 66	2	3-51/64	1-7/64	1-7/32
CL14	300	1/2	781, 17, TV, 66	2	3-51/64	1-7/64	1-7/32
CL15-3/8	350	3/8	840, 18, TX, 71	2	3-55/64	-	1-9/32
CL15	350	1/2	840, 18, TX, 71	2	3-55/64	-	1-9/32
CL16-3/8	400	3/8	15/16, 19, TX, 76	2	3-59/64	-	1-13/32
CL16	400	1/2	15/16, 19, TX, 76	2	4-5/32	1-7/16	1-13/32
CL16-5/8	400	5/8	15/16, 19, TX, 76	2	4-5/32	1-7/16	1-13/32
CL18	500	1/2	1, 20, TH, 87	2-1/2	4-3/8	1-7/16	1-9/16
CL18-5/8	500	5/8	1, 20, TH, 87	2-1/2	4-3/8	1-7/16	1-9/16
CL20	600	1/2	1-1/8, 22, 96, 94H	2-11/16	5-1/8	1-3/4	1-11/16
CL20-5/8	600	5/8	1-1/8, 22, 96, 94H	2-11/16	5-1/8	1-3/4	1-11/16
CL23	750	1/2	1-5/16, 24, 106	2-7/8	5-11/16	1-15/16	1-29/32
CL23-5/8	750	5/8	1-5/16, 24, 106	2-7/8	5-11/16	1-15/16	1-29/32
CL23-3/4	750	3/4	1-5/16, 24, 106	2-7/8	5-11/16	1-15/16	1-29/32
CL28	1000	1/2	1-1/2, 27, 125	3	6-1/4	2-1/8	2-3/16
CL28-5/8	1000	5/8	1-1/2, 27, 125	3	6-1/4	2-1/8	2-3/16
CL28-3/4	1000	3/4	1-1/2, 27, 125	3	6-1/4	2-1/8	2-3/16

FOR OTHER SIZES, CONTACT YOUR SALES REPRESENTATIVE OR THE FACTORY.

STRAIGHT & STACKING TWO-HOLE COPPER NEMA LUGS

CL-2N & CSL-2N Series

- Made of seamless copper tubing.
- Tin-plated to resist corrosion.
- The "CSL" lugs are offset to allow the connection of two lugs to a common surface.
- The "offset" allows clearance between the lug barrels.
-  UL listed.



STRAIGHT PART NUMBER	STACKING PART NUMBER	WIRE SIZE	BOLT SIZE	INSTALLING DIES	DIMENSIONS IN INCHES				
					B	H*	L	P	W
CL3-2N-1/4		6	1/4	J, 7, TE, 24	1	–	4-1/2	3	15/32
CL3-2N-5/16		6	5/16	J, 7, TE, 24	1	–	4-1/2	3	17/32
CL5-2N-1/4		4	1/4	5/16, 8, TP, 29	1	–	4-1/2	3	1/2
CL5-2N-5/16		4	5/16	5/16, 8, TP, 29	1	–	4-1/2	3	1/2
CL5-2N***	CSL5-2N	4	1/2	5/16, 8, TP, 29	1	–	4-1/2	3	1
CL7-2N-1/4		2	1/4	3/8, 10, TL-TN, 33	1-1/4	–	4-9/16	3	3/4
CL7-2N-5/16		2	5/16	3/8, 10, TL-TN, 33	1-1/4	–	4-9/16	3	3/4
CL7-2N	CSL7-2N	2	1/2	3/8, 10, TL-TN, 33	1-1/4	–	4-9/16	3	3/4
CL8-2N-1/4		1	1/4	3/8, 11, TB, 37	1-3/8	–	3-3/8	3	21/32
CL8-2N-5/16		1	5/16	3/8, 11, TB, 37	1-1/2	–	3-3/8	3	21/32
CL9-2N-5/16		1/0	5/16	1/2, 12, TQ, 42	1-1/4	–	4-9/16	3	3/4
CL9-2N-3/8		1/0	3/8	1/2, 12, TQ, 42	1-1/4	–	4-9/16	3	3/4
CL9-2N	CSL9-2N	1/0	1/2	1/2, 12, TQ, 42	1-1/4	–	4-9/16	3	3/4
CL10-2N-3/8		2/0	3/8	9/16, 13, TS, 45	1-1/2	–	5-1/32	3	27/32
CL10-2N	CSL10-2N	2/0	1/2	9/16, 13, TS, 45	1-1/2	1-1/2	5-1/32	3	27/32
CL11-2N-3/8		3/0	3/8	5/8, 14, TU, 50	1-1/2	–	5-1/8	3	29/32
CL11-2N	CSL11-2N	3/0	1/2	5/8, 14, TU, 50	1-1/2	1-5/8	5-1/8	3	29/32
CL12-2N-3/8		4/0	3/8	5/8-1, 15, TW-TY, 54	1-5/8	–	5-3/16	3	1
CL12-2N	CSL12-2N	4/0	1/2	5/8-1, 15, TW-TY, 54	1-5/8	1-11/16	5-3/16	3	1

(continued)

STRAIGHT & STACKING TWO-HOLE COPPER NEMA LUGS

CL-2N & CSL-2N Series (continued)

STRAIGHT PART NUMBER	STACKING PART NUMBER	WIRE SIZE	BOLT SIZE	INSTALLING DIES	DIMENSIONS IN INCHES				
					B	H*	L	P	W
CL13-2N-3/8		250	3/8	11/16, 16, TR, 60	1-3/4	–	5-1/4	3	1-1/8
CL13-2N	CSL13-2N	250	1/2	11/16, 16, TR, 60	1-3/4	1-3/4	5-1/4	3	1-7/32
CL14-2N-3/8		300	3/8	781, 17, TV, 66	2	–	5-3/4	3	1-7/32
CL14-2N	CSL14-2N	300	1/2	781, 17, TV, 66	2	1-13/16	5-3/4	3	1-7/32
CL15-2N-3/8		350	3/8	840, 18, TX, 71	2	–	5-3/4	3	1-5/16
CL15-2N	CSL15-2N	350	1/2	840, 18, TX, 71	2	1-7/8	5-3/4	3	1-5/16
CL16-2N-3/8		400	3/8	15/16, 19, TX, 76	2-1/8	–	6	3-1/16	1-13/32
CL16-2N	CSL16-2N	400	1/2	15/16, 19, TX, 76	2-1/8	1-15/16	6	3-3/32	1-13/32
CL18-2N	CSL18-2N	500	1/2	1, 20, TH, 87	2-1/4	2-1/16	6-1/16	3-1/8	1-9/16
CL20-2N	CSL20-2N	600	1/2	1-1/8, 22, 96	2-5/8	2-3/16	6-23/32	3-1/8	1-11/16
CL23-2N	CSL23-2N	750	1/2	1-5/16, 24, 106	2-7/8	2-5/16	6-3/4	3-1/8	1-3/4
CL28-2N	CSL28-2N	1000	1/2	1-1/2, 27, 125	2-15/16	2-5/8	7-1/4	3-1/4	2-5/32
CL28-2N-1-3/4	CSL28-2N-1-3/4	1000	1/2	1-1/2, 27, 125	2-15/16	2-5/8	7-1/4	3-1/4	1-3/4**
CL29-2N	CSL29-2N	1250	1/2	1-5/8, 29	2-1/2	–	7-1/4	3-1/16	1-11/16
CL30-2N	CSL30-2N	1500	1/2	1-3/4, 31, 150	3-3/16	–	7-1/2	3	2-11/16
CL32-2N	CSL32-2N	2000	1/2	2.00, 34, 175	3-3/16	–	8-1/16	3-3/16	3-1/16


* Only for stacking lugs.

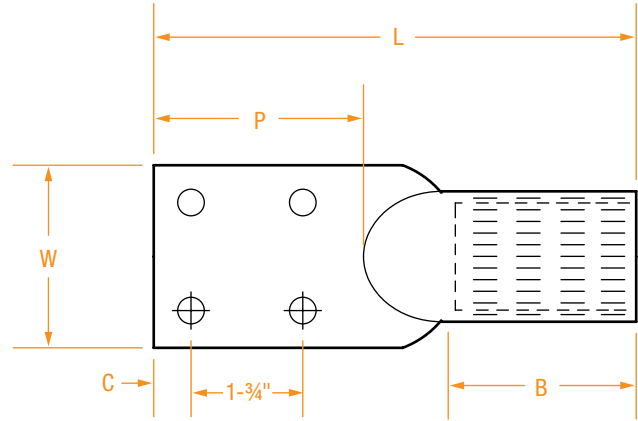
** Trimmed to 1-3/4" max. to fit side by side on NEMA spades.

*** Brazed pad.

FOUR-HOLE COPPER LUGS

CL-4N Series

- Made of seamless copper tubing.
- Tin-plated to resist corrosion.
- Marked with conductor sizes and die information.
- Meets all NEMA standards.
-  UL listed.




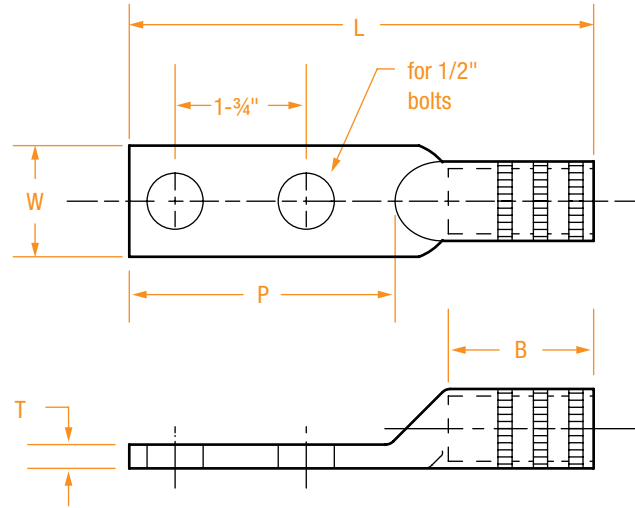
PART NUMBER	WIRE SIZE	BOLT SIZE	INSTALLING DIES	DIMENSIONS IN INCHES				
				B	C	L	P	W
CL18-4N	500	1/2	20, 1, 87	2-1/4	5/8	6-1/4	3-1/8	3
CL23-4N	750	1/2	24, 1-5/16, 106	2-7/8	5/8	7	3-1/8	3
CL28-4N	1000	1/2	1-1/2, 27, 125	3	5/8	7-1/4	3-1/4	3
CL29-4N	1250	1/2	1-5/8, 29	3-1/4	5/8	7-3/4	3	3
CL30-4N	1500	1/2	1-3/4, 31, 150	3-3/16	5/8	7-1/2	3	2-11/16
CL32-4N	2000	1/2	2.00, 34, 175	3-7/16	5/8	8-1/16	3-3/16	3-1/16
CL33-4N	2500	1/2	486, L486RT	3-5/8	5/8	8-3/4	3-1/8	3-3/4
CL371885	2750	1/2	729	3-3/4	5/8	9	3-1/8	3

FOR OTHER SIZES, CONTACT YOUR SALES REPRESENTATIVE OR THE FACTORY.

HEAVY-DUTY COPPER LUGS

HDCL Series

- Designed for heavy-duty applications.
- Features include heavy wall barrel and thicker contact pad.
- Made of seamless copper tubing.
- Tin-plated to resist corrosion.
- Marked with conductor sizes and die information.
-  UL listed.




PART NUMBER*	CONDUCTOR SIZE	INSTALLING DIES	DIMENSIONS IN INCHES				
			B	T	L	P	W
HDCL7-2N	2	TQ, 42, 163, 1/2	1-1/2	0.17	5	3	15/16
HDCL8-2N	1	TS, 45, 241, 1/2	1-1/2	0.18	5-1/4	3	15/16
HDCL9-2N	1/0	TU, 50, 165, 5/8	1-1/2	0.19	5-1/4	3	15/16
HDCL10-2N	2/0	TZ, 166, 5/8	1-1/2	0.26	5-1/2	3	15/16
HDCL11-2N	3/0	62, 167, 737	1-1/2	0.29	5-1/2	3	1
HDCL12-2N	4/0	71, 168, 840	1-5/8	0.30	5-1/2	3	1-1/4
HDCL13-2N	250	80, 169	1-5/8	0.34	5-5/8	3	1-1/4
HDCL14-2N	300	87, 170, 1	2-1/4	0.39	6-9/16	3-1/4	1-1/2
HDCL15-2N	350	94, 299, 1-1/8	2-1/4	0.43	6-9/16	3-1/4	1-7/16
HDCL18-2N	500	112, 210, 1-5/16	3	0.48	7-5/16	3-1/4	1-3/4
HDCL20-2N	600	125, 608, 1-1/2	3	0.51	7-1/2	3-5/8	1-15/16
HDCL23-2N	750	138, 627, 1-5/8	3-3/8	0.64	8-1/4	3-5/8	2-3/16
HDCL28-2N	* 1000	160, 345, 2	4-5/8	0.62	9-5/8	3-5/8	2-5/8

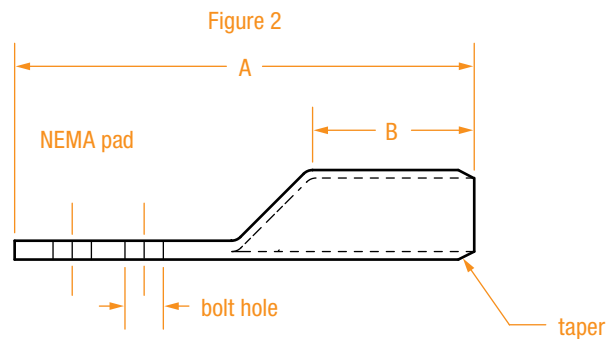
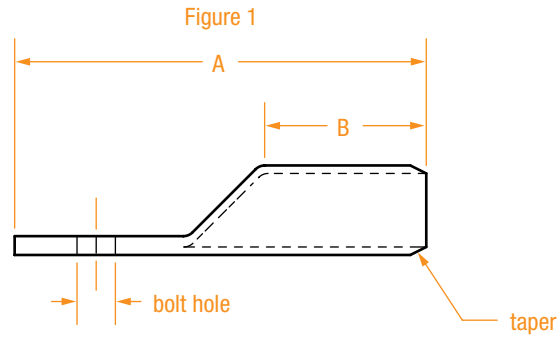
FOR OTHER SIZES, CONTACT YOUR SALES REPRESENTATIVE OR THE FACTORY.

* For heavy-duty one-hole lug, delete the "-2N" from the part number. For use with a different bolt size, add the bolt size to the part number (example: HDCL9-2N-3/8 will have two 7/16" holes for 3/8" bolts). For four-hole lugs, change "-2N" to "-4N".

TAPERED COPPER LUGS

TCL Series

- Made of seamless pure copper tubing.
- Tin-plated to resist corrosion.
- Tapered for high-voltage connections.
- One-hole and two-hole NEMA standard.
-  UL listed.



PART NUMBER*	FIGURE	CONDUCTOR SIZE		INSTALLING DIES	DIMENSIONS IN INCHES				
		CONCENTRIC	COMPACT		L	B	PAD WIDTH	PAD THICKNESS	BOLT HOLE
TCL5	1	#4	#4	5/16, 8, TP, 29	2-3/16	1-1/4	5/8	3/32	7/16
TCL7	1	#2	#2 & #1	3/8, 10, TL-TN, 33	2-5/16	1-3/8	5/8	7/64	7/16
TCL8	1	#1	#1/0	3/8, 11, TB, 37	2-1/2	1-3/8	11/16	7/64	7/16
TCL9	1	#1/0	#2/0	1/2, 12, TQ, 42	2-5/8	1-3/8	13/16	1/8	7/16
TCL9-2N	2	#1/0	#2/0	1/2, 12, TQ, 42	4-7/8	1-3/8	13/16	1/8	9/16
TCL10	1	#2/0	#3/0	9/16, 13, TS, 45	3	1-1/2	7/8	1/8	9/16
TCL10-2N	2	#2/0	#3/0	9/16, 13, TS, 45	5	1-1/2	7/8	1/8	9/16
TCL11	1	#3/0	#4/0	5/8, 14, TU, 50	3-1/8	1-1/2	15/16	1/8	9/16
TCL11-2N	2	#3/0	#4/0	5/8, 14, TU, 50	5-1/8	1-1/2	15/16	1/8	9/16
TCL12	1	#4/0	250MCM	5/8-1, 15, TW-TY	3-5/16	1-5/8	1	9/64	9/16
TCL12-2N	2	#4/0	250MCM	5/8-1, 15, TW-TY	5-1/4	1-5/8	1	9/64	9/16
TCL13	1	250MCM	300MCM	11/16, 16, TR, 60	3-3/8	1-5/8	1-1/8	5/32	9/16
TCL13-2N	2	250MCM	300MCM	11/16, 16, TR, 60	5-5/16	1-5/8	1-1/8	5/32	9/16

(continued)

TAPERED COPPER LUGS

TCL Series (continued)


PART NUMBER*	FIGURE	CONDUCTOR SIZE		INSTALLING DIES	DIMENSIONS IN INCHES				
		CONCENTRIC	COMPACT		L	B	PAD WIDTH	PAD THICKNESS	BOLT HOLE
TCL14	1	300MCM	350MCM	781, 17, TV, 66	3-3/4	2	1-3/16	5/32	9/16
TCL14-2N	2	300MCM	350MCM	781, 17, TV, 66	5-3/4	2	1-3/16	5/32	9/16
TCL15	1	350MCM	400MCM	840, 18, TX, 71	3-13/16	2	1-5/16	15/16	9/16
TCL15-2N	2	350MCM	400MCM	840, 18, TX, 71	5-13/16	2	1-5/16	15/16	9/16
TCL16-2N	2	400MCM	500MCM	15/16, 19, 76	6	2-1/8	1-7/16	3/16	9/16
TCL18-2N	2	500MCM	600MCM	1, 20, 87	6-3/16	2-1/4	1-9/16	15/64	9/16
TCL20-2N	2	600MCM	750MCM	1-1/8, 22, 94H	6-11/16	2-11/16	1-11/16	17/64	9/16
TCL23-2N	2	750MCM	–	1-5/16, 24, 106	7	2-7/8	1-15/16	19/64	9/16
TCL24-2N	2	800MCM	–	1-5/16, 25, 106	7-1/8	2-15/16	2	19/64	9/16
TCL28-2N	2	1000MCM	–	1-1/2, 27, 125	7-1/4	3	2-3/16	21/64	9/16

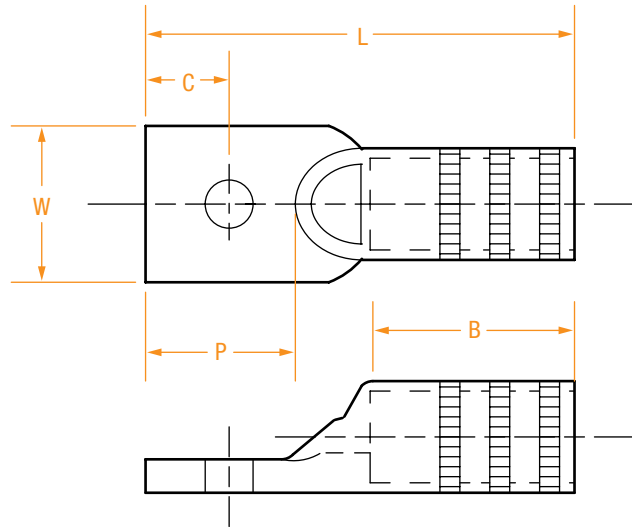
FOR OTHER SIZES, CONTACT YOUR SALES REPRESENTATIVE OR THE FACTORY.

* “-2N” indicates a two-hole NEMA pad.

ONE-HOLE PEEPHOLE COPPER LUGS

CL-P Series

- Opening allows inspection to ensure complete cable insertion.
- Made of seamless copper tubing.
- Tin-plated to resist corrosion.
- Marked with conductor sizes and die information.
-  UL listed.



PART NUMBER	WIRE SIZE	BOLT SIZE	INSTALLING DIES	DIMENSIONS IN INCHES				
				B	C	L	P	W
CL2-1/4-P	8	1/4	1/4, 6, TC, 21	1/2	5/16	1-7/32	19/32	13/32
CL3-1/4-P	6	1/4	J, 7, TE, 24	13/16	3/8	1-3/4	3/4	1/2
CL3-5/16-P	6	5/16	J, 7, TE, 24	13/16	3/8	1-3/4	3/4	1/2
CL3-3/8-P	6	3/8	J, 7, TE, 24	13/16	3/8	1-3/4	3/4	9/16
CL5-1/4-P	4	1/4	5/16, 8, TP, 29	29/32	3/8	1-63/64	57/64	19/32
CL5-5/16-P	4	5/16	5/16, 8, TP, 29	29/32	3/8	1-63/64	57/64	19/32
CL5-3/8-P	4	3/8	5/16, 8, TP, 29	29/32	3/8	1-63/64	57/64	19/32
CL7-1/4-P	2	1/4	3/8, 10, TL-TN, 33	7/8	3/8	2	57/64	5/8
CL7-5/16-P	2	5/16	3/8, 10, TL-TN, 33	7/8	3/8	2	57/64	5/8
CL7-3/8-P	2	3/8	3/8, 10, TL-TN, 33	7/8	3/8	2	57/64	5/8
CL7-1/2-P	2	1/2	3/8, 10, TL-TN, 33	7/8	17/32	2-5/32	1-7/64	3/4
CL8-1/4-P	1	1/4	3/8, 11, TB, 37	7/8	3/8	2-9/64	57/64	11/16
CL8-5/16-P	1	5/16	3/8, 11, TB, 37	7/8	3/8	2-9/64	57/64	11/16
CL8-3/8-P	1	3/8	3/8, 11, TB, 37	7/8	3/8	2-9/64	57/64	11/16
CL8-1/2-P	1	1/2	3/8, 11, TB, 37	7/8	17/32	2-15/64	1-7/64	3/4
CL9-5/16-P	1/0	5/16	1/2, 12, TQ, 42	7/8	3/8	2-9/64	57/64	3/4
CL9-3/8-P	1/0	3/8	1/2, 12, TQ, 42	7/8	3/8	2-9/64	57/64	3/4
CL9-P	1/0	1/2	1/2, 12, TQ, 42	7/8	17/32	2-15/64	1-7/64	3/4

(continued)

ONE-HOLE PEEPHOLE COPPER LUGS


CL-P Series (continued)

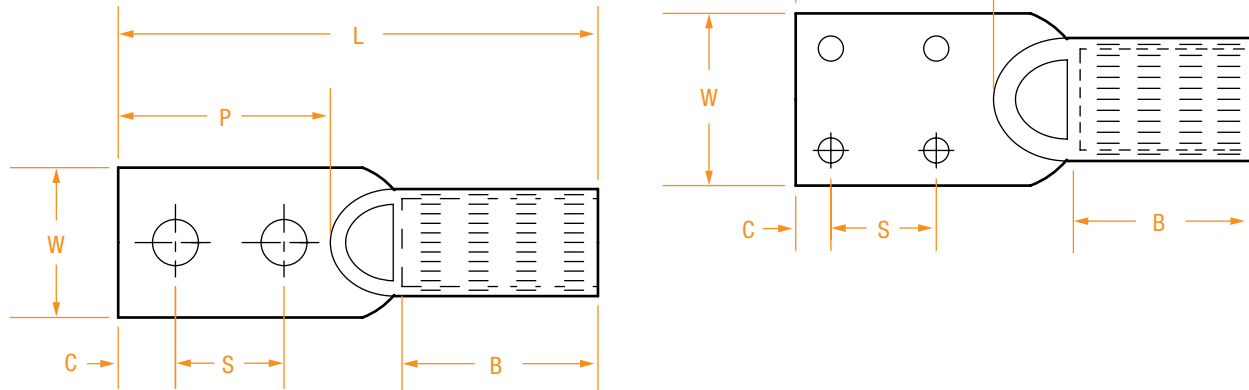
PART NUMBER	WIRE SIZE	BOLT SIZE	INSTALLING DIES	DIMENSIONS IN INCHES				
				B	C	L	P	W
CL10-5/16-P	2/0	5/16	9/16, 13, TS, 45	15/16	3/8	2-5/64	57/64	13/16
CL10-3/8-P	2/0	3/8	9/16, 13, TS, 45	15/16	3/8	2-5/64	57/64	13/16
CL10-P	2/0	1/2	9/16, 13, TS, 45	15/16	17/32	2-9/32	1-7/64	13/16
CL11-5/16-P	3/0	5/16	5/8, 14, TU, 50	1-1/8	3/8	2-17/64	57/64	29/32
CL11-3/8-P	3/0	3/8	5/8, 14, TU, 50	1-1/8	17/32	2-1/2	1-7/64	29/32
CL11-P	3/0	1/2	5/8, 14, TU, 50	1-1/8	17/32	2-1/2	1-7/64	29/32
CL12-5/16-P	4/0	5/16	5/8-1, 15 TW-TY, 54	1-3/16	3/8	2-7/16	57/64	1
CL12-3/8-P	4/0	3/8	5/8-1, 15 TW-TY, 54	1-3/16	17/32	2-9/16	1-7/64	1
CL12-1/2-P	4/0	1/2	5/8-1, 15 TW-TY, 54	1-3/16	17/32	2-9/16	1-7/64	1
CL13-3/8-P	250	3/8	11/16, 16, TR, 60	1-1/4	17/32	2-13/16	1-7/64	1-1/8
CL13-P	250	1/2	11/16, 16, TR, 60	1-1/4	17/32	2-13/16	1-7/64	1-1/8
CL14-P	300	1/2	781, 17, TV, 66	1-1/4	17/32	2-13/16	1-7/64	1-7/32
CL14-5/8-P	300	5/8	781, 17, TV, 66	1-1/4	21/32	3-1/32	1-11/32	1-7/32
CL15-P	350	1/2	840, 18, TX, 71	1-1/4	17/32	2-15/16	1-7/64	1-9/32
CL15-5/8-P	350	5/8	840, 18, TX, 71	1-1/4	21/32	3-3/32	1-11/32	1-9/32
CL16-P	400	1/2	15/16, 19, TX 76	1-1/2	21/32	3-9/32	1-11/32	1-13/32
CL16-5/8-P	400	5/8	15/16, 19, TX 76	1-1/2	21/32	3-9/32	1-11/32	1-13/32
CL18-P	500	1/2	1, 20, TH, 87	1-3/4	21/32	3-17/32	1-11/32	1-17/32
CL18-5/8-P	500	5/8	1, 20, TH, 87	1-3/4	21/32	3-17/32	1-11/32	1-17/32
CL20-P	600	1/2	1-1/8, 22, 96	1-7/16	7/8	3-7/8	1-3/4	1-11/16
CL20-5/8-P	600	5/8	1-1/8, 22, 96	1-7/16	7/8	3-7/8	1-3/4	1-11/16
CL23-P	750	1/2	1-5/16, 24, 106	1-5/8	7/8	4-3/8	1-15/16	1-7/8
CL23-5/8-P	750	5/8	1-5/16, 24, 106	1-5/8	7/8	4-3/8	1-15/16	1-7/8
CL23-3/4-P	750	3/4	1-5/16, 24, 106	1-5/8	31/32	4-3/8	1-15/16	1-7/8
CL28-P	1000	1/2	1-1/2, 27, 125	1-15/16	15/16	4-15/16	2-1/8	2-5/32
CL28-5/8-P	1000	5/8	1-1/2, 27, 125	1-15/16	15/16	4-15/16	2-1/8	2-5/32
CL28-3/4-P	1000	3/4	1-1/2, 27, 125	1-15/16	1-1/16	4-15/16	2-1/8	2-5/32
CL30-3/4-P	1500	3/4	1-3/4, 31, 150	2	1-1/8	5-15/32	2-1/4	2-43/64
CL32-3/4-P	2000	3/4	2.00, 34, 150	2-1/4	1-3/16	5-15/16	2-3/8	3-1/16

FOR OTHER SIZES, CONTACT YOUR SALES REPRESENTATIVE OR THE FACTORY.

TWO- & FOUR-HOLE PEEPHOLE COPPER NEMA LUGS

CL-N-P Series

- Made of seamless copper tubing.
- Tin-plated to resist corrosion.
- Marked with conductor sizes and die information.
-  UL listed.



PART NUMBER*	WIRE SIZE	BOLT SIZE	INSTALLING DIES	DIMENSIONS IN INCHES					
				B	C	L	P	S	W
CL10-2N-P	2/0	1/2	9/16, 13, TS, 45	15/16	5/8	4-15/32	3	1-3/4	13/16
CL11-2N-P	3/0	1/2	5/8, 14, TU, 50	1	5/8	4-5/8	3	1-3/4	29/32
CL12-2N-P	4/0	1/2	5/8-1, 15, TW-TY, 54	1	5/8	4-11/16	3	1-3/4	1
CL13-2N-P	250	1/2	11/16, 16, TR, 60	1-1/16	5/8	4-3/4	3	1-3/4	1-3/32
CL14-2N-P	300	1/2	781, 17, TV, 66	1-1/16	5/8	4-13/16	3	1-3/4	1-3/16
CL15-2N-P	350	1/2	840, 18, TX, 71	1-1/8	5/8	4-15/16	3	1-3/4	1-9/32
CL16-2N-P	400	1/2	15/16, 19, TX, 76	1-3/16	5/8	5-1/8	3	1-3/4	1-3/8
CL18-2N-P	500	1/2	1, 20, TH, 87	1-3/8	5/8	5-5/16	3	1-3/4	1-17/32
CL20-2N-P	600	1/2	1-1/8, 22, 96	1-3/8	5/8	5-1/2	3	1-3/4	1-11/16
CL23-2N-P	750	1/2	1-5/16, 24, 106	1-5/8	5/8	5-3/4	3	1-3/4	1-29/32
CL28-2N-P	1000	1/2	1-1/2, 27, 125	1-7/8	5/8	6-5/32	3	1-3/4	2-11/64
CL30-2N-P	1500	1/2	1-3/4, 31, 150	2	5/8	6-17/32	3	1-3/4	2-43/64
CL32-2N-P	2000	1/2	2.00, 34, 150	2-1/4	5/8	7	3	1-3/4	3-1/16
CL30-4N-P	*1500	1/2	1-3/4, 31, 150	2	5/8	6-17/32	3	1-3/4	3-1/16
CL32-4N-P	*2000	1/2	2.00, 34, 150	2-1/4	5/8	7	3	1-3/4	3-1/16

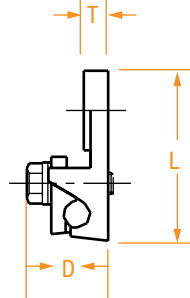
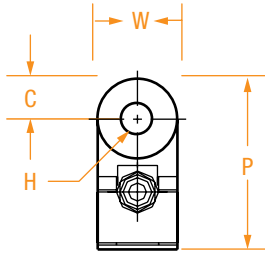
FOR OTHER SIZES, CONTACT YOUR SALES REPRESENTATIVE OR THE FACTORY.

* "-2N" indicates a two-hole NEMA pad. - "4N" indicates a four-hole NEMA pad.

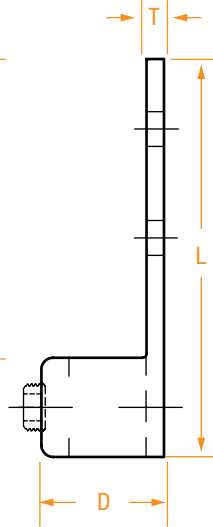
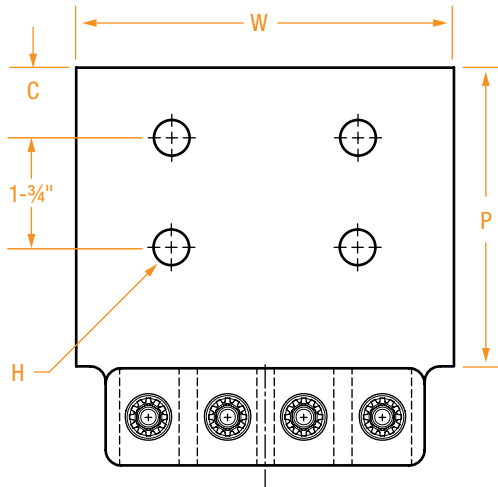
MECHANICAL COPPER LUGS

ML Series

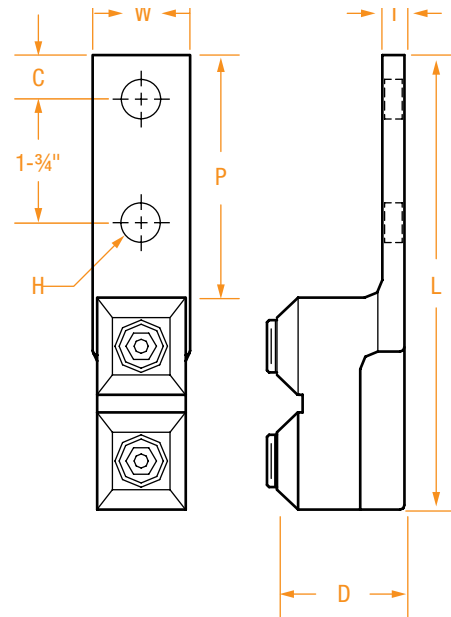
- Made from high-conductivity copper alloy.
- Designed to accept a range of conductor sizes.



ML8-10



B4CC-4N



ML13-18

PART NUMBER	CABLE SIZE	CABLE PORTS	HOLES IN PAD	DIMENSIONS IN INCHES						
				L	W	C	H	D	T	P
ML13-18	250-500	1	2	5	1-1/2	5/8	9/16	1-3/4	3/8	3-1/4
ML8-10	#1-2/0	1	1	2-3/8	1-13/32	9/16	9/16	1-3/32	11/32	1-3/8
B3CC-4N*	250-500	3	4	6	4	7/8	9/16	2 to 2-1/4	1/4	4-3/8
B4CC-4N**	250-500	4	4*	6-3/8	6	1-1/8	9/16	2 to 2-1/4	5/16	4-3/4

* B3CC-4N (not shown in the above photo) has 1-3/4" hole spacing front to back and side to side.

** B4CC-4N has 3" side-to-side hole spacing and 1-3/4" hole spacing front to back as shown in the drawing.

ANGLED COPPER LUGS

CL-2N-90 Series

- Made of seamless copper tubing.
- Lugs available with a "BEND" or a "TWIST."
- Specify the angle in the part number.
- Tin-plated to resist corrosion.
- Marked with conductor sizes and die information.
- Meets all NEMA standards.

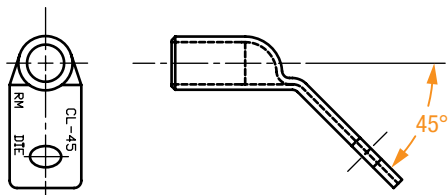


Figure 1
45° Bend
Add "-45" to part #

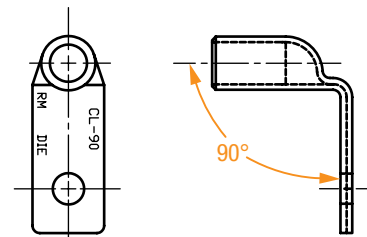


Figure 2
90° Bend
Add "-90" to part #

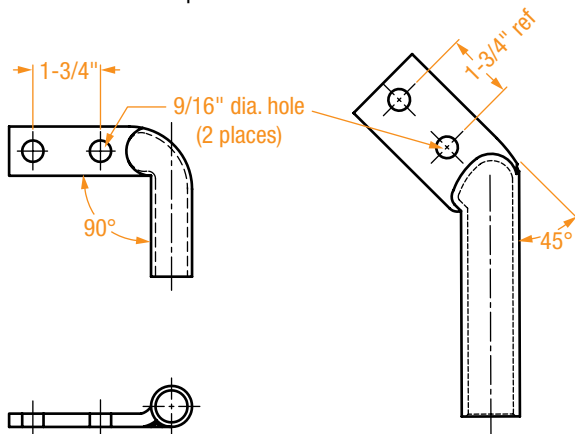


Figure 3
90° Left Twist
Add "-90L" to part #

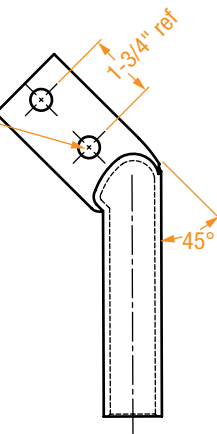


Figure 4
45° Left Twist
Add "-45L" to part #

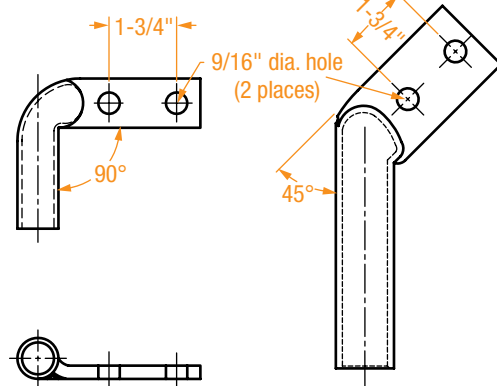


Figure 5
90° Right Twist
Add "-90R" to part #

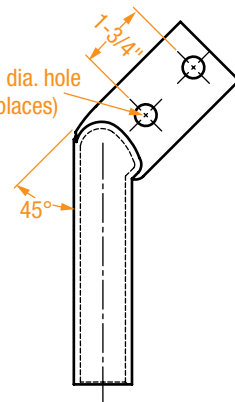


Figure 6
45° Right Twist
Add "-45R" to part #

To determine the correct part number, use the part numbers of the basic copper lug and add the following suffixes.

- "-45" = 45° bend straight up – Figure 1.
- "-90" = 90° bend straight up – Figure 2
- "-90L" = 90° twist to the LEFT – Figure 3
- "-45L" = 45° twist to the LEFT – Figure 4.
- "-90R" = 90° twist to the RIGHT – Figure 5
- "-45R" = 45° twist to the RIGHT – Figure 6.

FOR OTHER ANGLES AND CONFIGURATIONS, PLEASE CONTACT THE FACTORY.

SHROUDED COPPER LUGS

CL-66 Series

- Made of seamless copper tubing.
- Hot tin dipped.
- The shroud prevents water from seeping into the copper conductor strands and minimizes taping.
- Contact the factory for other sizes.

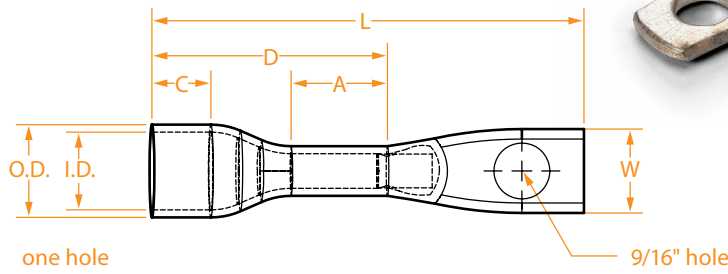


Figure 1

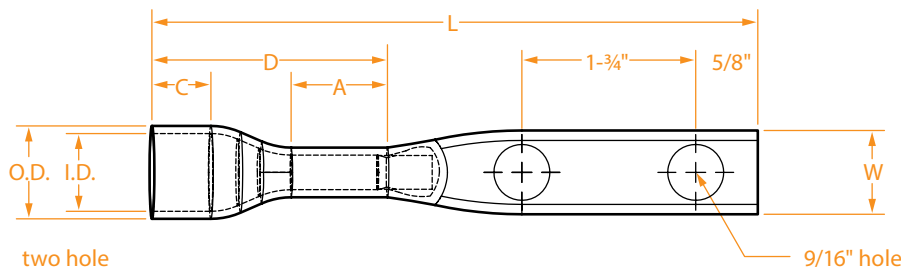


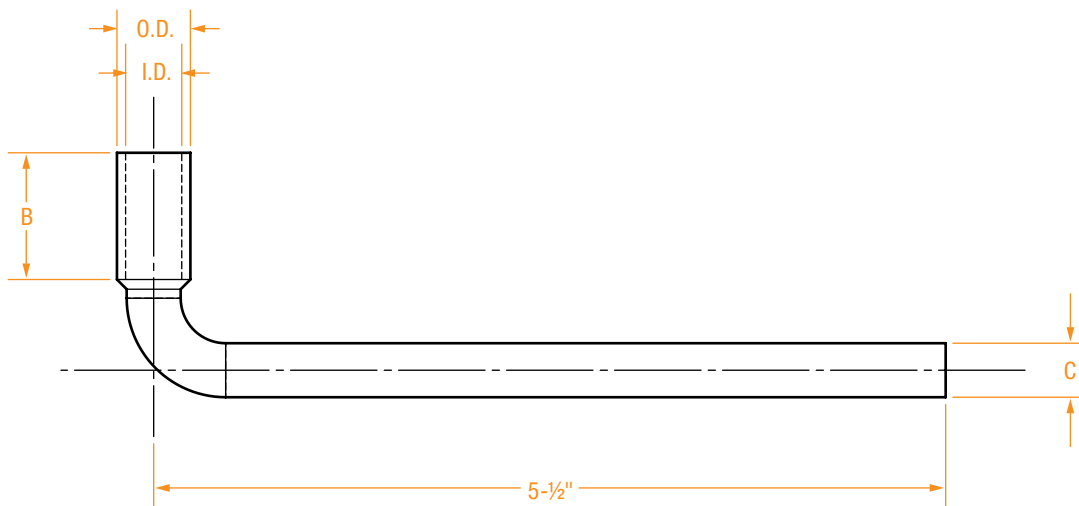
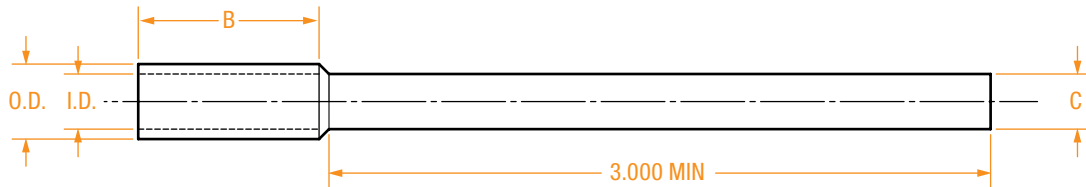
Figure 2

PART NUMBER	FIG	CONDUCTOR	APPROXIMATE DIMENSIONS IN INCHES							DIE INDEX
			O.D.	I.D.	A	C	D	L	W	
CL5-1-66PS	1	#4 STR	0.72	.625	1.25	.625	2.125	3.5	.875	1/2, 12
CL5-2N-066	2	#4 STR	.72	.55	1.625	.625	2.50	6	.875	1/2, 12
CL7-2N-066	2	#2 STR	.95	.80	1.25	.80	2.50	6-1/8	.875	163

COPPER PIN TERMINALS

CPT Series

- The barrel is made of seamless copper tubing.
- The pin is made of solid copper rod.
- Connection brazed watertight.
- Crimp with standard dies.
- Hot tin dipped.
- Contact the factory for other sizes.

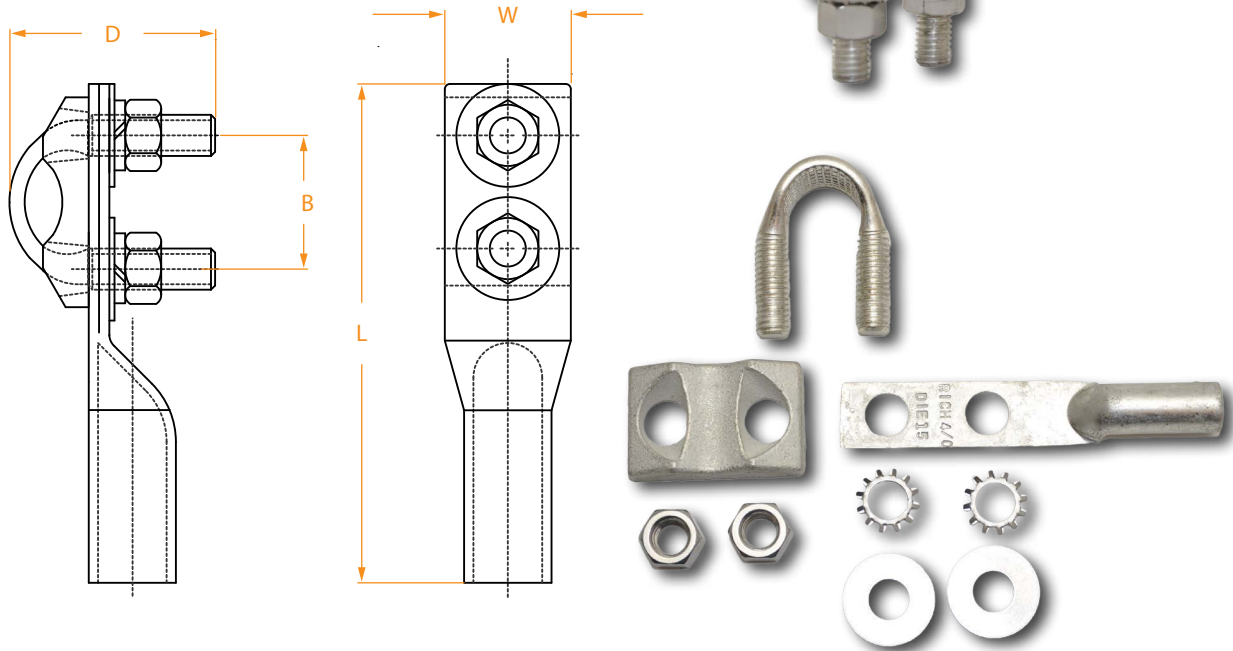


PART NUMBER	FIG	CONDUCTOR	APPROXIMATE DIMENSIONS IN INCHES				DIE INDEX
			I.D.	BARREL O.D.	B (MIN)	PIN O.D.	
CPT5	1	#4 Cu str	.25	.34	.82	0.250	5/16, 8
CPT9	1	1/0 Cu str	.39	.51	.88	0.375	½, 12
CPT10	1	2/0 Cu str	.44	.56	.94	0.375	9/16, 13
CPT12	1	4/0 Cu str	.55	.69	1.00	0.460	5/8-1, 15
CPT15	1	350 Cu str	.70	.88	1.12	0.562	840, 18
CPT18	1	500 Cu str	.83	1.06	1.38	0.562	1, 20
CPT5-90	2	#4 Cu str	.25	.34	.81	0.375	5/16, 8
CPT9-90	2	1/0 Cu str	.39	.51	.88	0.375	½, 12
CPT12-90	2	4/0 Cu str	.55	.69	1.00	0.460	5/8-1, 15
CPT15-90	2	350 Cu str	.70	.88	1.12	0.562	840, 18
CPT18-90	2	500 Cu str	.83	1.06	1.38	0.562	1, 20

RING BUS COPPER LUGS ASSEMBLY

MT Series

- Designed to connect secondary cable to the "ring bus" of a network system
- Ideal for neutral connections in network vaults and manholes
- Lug, U-Bolt and Bronze Saddle are tin-plated
- Hardware includes star and flat washers and nuts to tighten down U-Bolt



PART NUMBER	U BOLT SIZE	LUG SIZE	APPROXIMATE DIMENSIONS IN INCHES			
			D	B	L	W
MT18-12	500 MCM	4/0 AWG	2 3/8	1-3/8	5-1/8	1 17/32
MT18	500 MCM	500 MCM	2-3/8	1-3/8	6-1/16	1 17/32
MT23-18	750 MCM	500 MCM	2-1/2	1-5/8	6-1/16	1 17/32
MT23	750 MCM	750 MCM	2-1/2	1-5/8	7	1-29/32