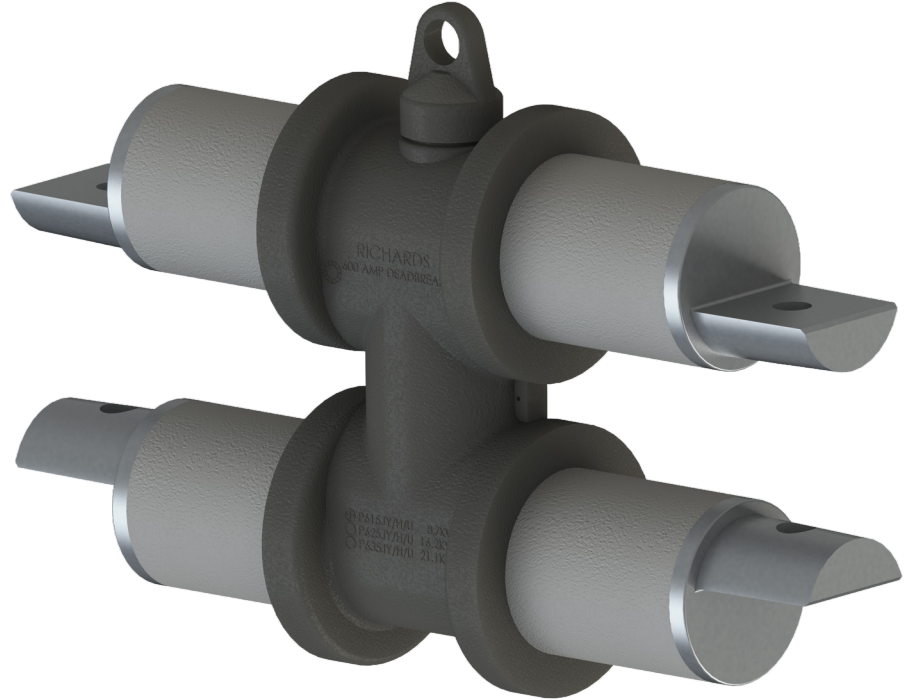


15/25/28kV Disconnectable "H" Bus

Product Data Sheet

The Richards Disconnectable Joint system is a multi-way medium voltage cable splicing system available through 35kV. Commonly found in higher load density underground systems, these Joints can be useful even for lighter loads due to their versatility and simplicity. Other methods involve complicated installations that are extremely difficult in congested underground distribution environments.

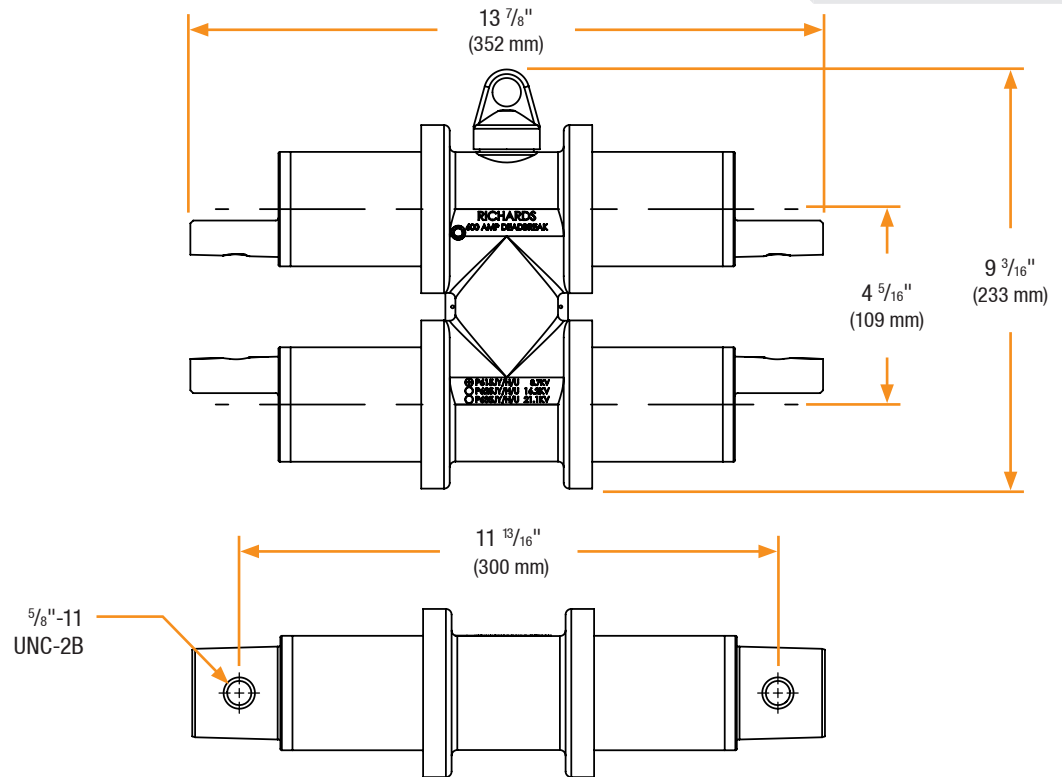
The Disconnectable Joint Bus is composed of a high-conductivity metallic bus contact overmolded with EPDM rubber. The various positions of the Bus allow for interconnection of medium voltage cables in an ultra-low-profile configuration. Accessories are also available for insulating, isolating, spiking and grounding.



Features

- Injection Molded & Peroxide-Cured EPDM Rubber
- Designed, Tested and Molded in the USA
- Fully-Shielded/Deadfront
- Submersible
- Dependable Multi-Way Splice
- Low-profile, space-saving splicing solution
- Modular design

Basic Dimensions

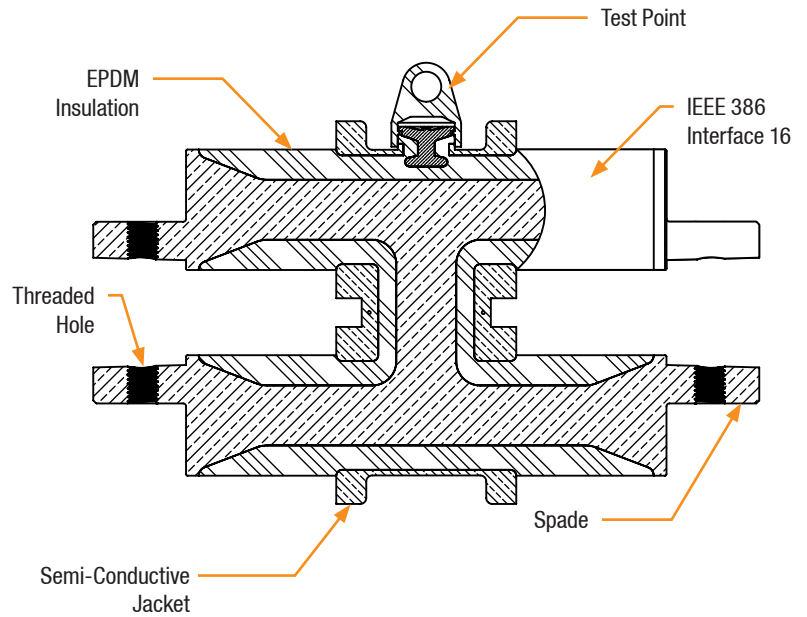


15/25/28kV Disconnectable "H" Bus

Related Products

| | |
|---|--|
| P625JS 15/25/28kV Disconnectable Joint Sleeve | P625JSCS 15/25/28kV JSCS Series Cold Shrink Sleeve |
| 92DSS0 15/25/28/35kV Spiking Stem Assembly | |
| P625JIC 15/25/28kV Joint Insulating Cap | P6JGP 15/25/28kV Joint Grounding Plug |
| P6JPB Barrier Bolt | |
| P6AL-X Aluminum Compression Lug | P9CU-X Copper Compression Lug |
| P6ALR-X Aluminum Range Taking Lug | P7ALCU-X Copper-Top Compression Lug |

Detail View



Production Testing

IEEE requires a Partial Discharge test and choice between AC withstand and Impulse.

Richards runs 3/3 tests on **all** Medium Voltage products governed by IEEE 386. [®]

100% Routine Electrical Test:

- Partial Discharge
- AC Withstand
- Impulse Withstand

Product Ratings

| Voltage Ratings | |
|---|------------------------|
| Maximum Voltage Rating – (phase to ground) | 16.2kV |
| Corona Voltage Level – (partial discharge extinction voltage) | 22kV [®] |
| AC Withstand – (1 minute) | 45kV |
| Impulse-Withstand Voltage – (BIL) | 162kV BIL [®] |

| Continuous Current Ratings | |
|----------------------------|------|
| Aluminum | 600A |
| Copper | 900A |

| Short-Time Current Ratings | |
|----------------------------|---------------------------------------|
| Aluminum | 40kA, 10c. and 10kA, 3s. [®] |
| Copper | 40kA, 10c. and 10kA, 3s. |

The 15/25/28kV Disconnectable "H" Bus is qualified to the following industry standards:

- IEEE Std 386: For Separable Insulated Connector Systems
- ANSI C119.4: For Electric Connectors
- IEEE Std 592: For Exposed Semiconducting Shields
- IEEE Std 404: For Cable Joints

[®] Exceeds IEEE 386 requirement