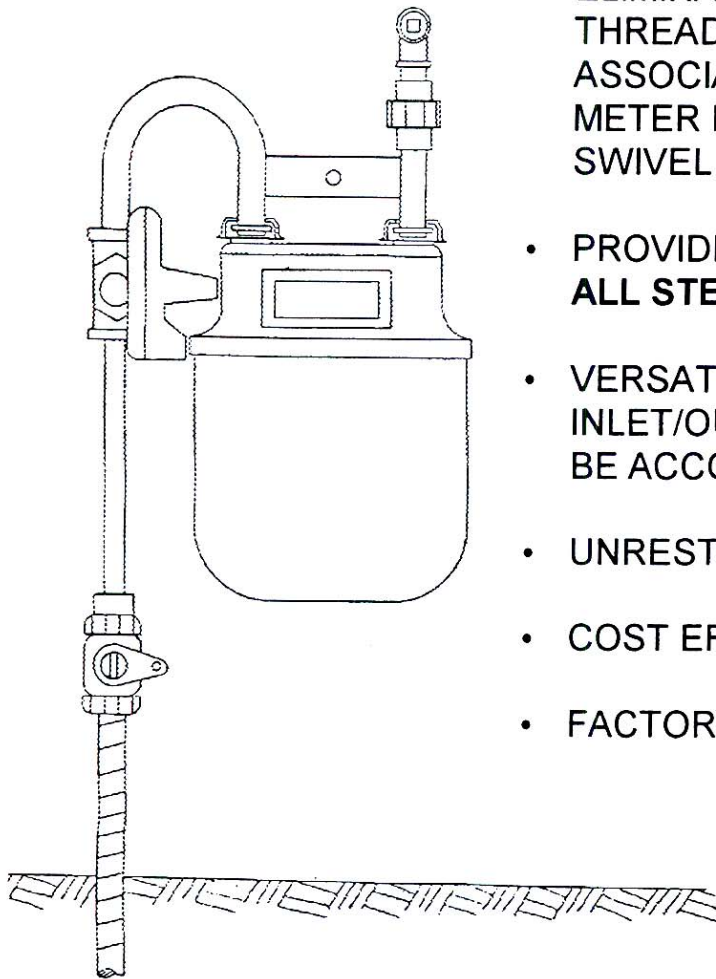




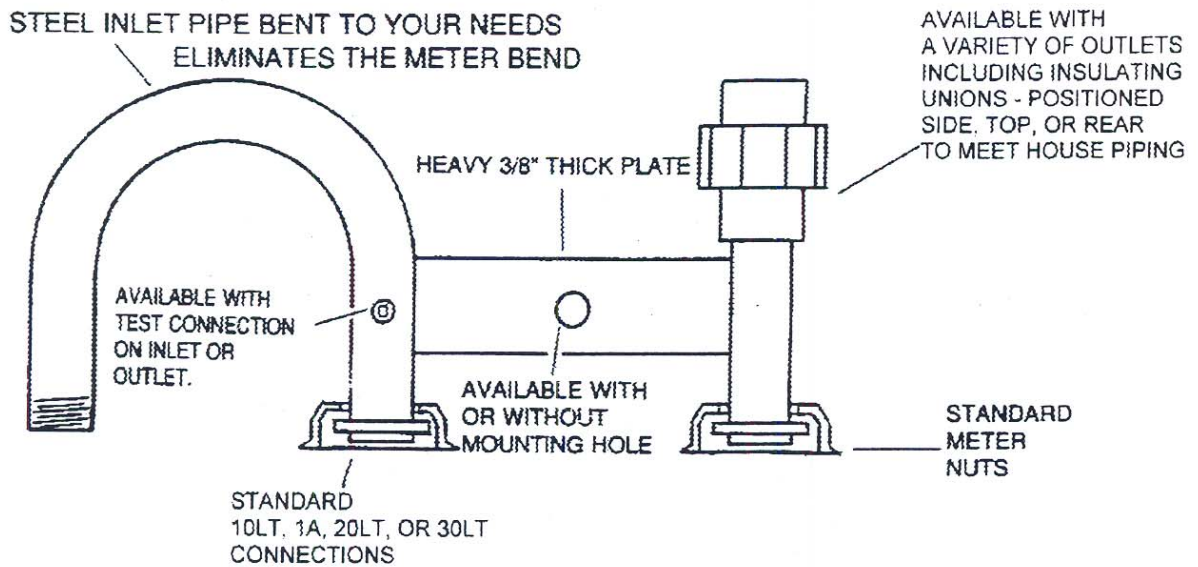
# DIRECT PIPE STEEL METER INSTALLATIONS



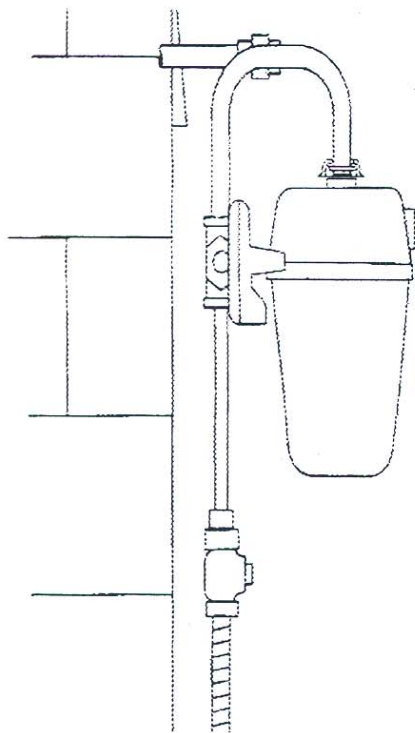
- ELIMINATES VIRTUALLY ALL OF THE THREADED CONNECTIONS ASSOCIATED WITH A STANDARD METER BEND, METER BAR, AND SWIVEL INSTALLATION
- PROVIDES A STRONG, LIGHTWEIGHT, **ALL STEEL**, METER HOOK UP.
- VERSATILE - VIRTUALLY ANY INLET/OUTLET CONFIGURATION CAN BE ACCOMMODATED.
- UNRESTRICTED FLOW TO THE METER
- COST EFFECTIVE
- FACTORY COATED



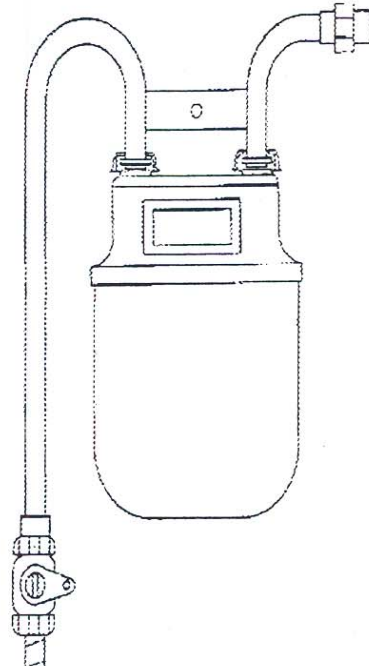
Richards Manufacturing Company Sales Inc.



COMPLETE METER INSTALLATION  
REAR IN - REAR OUT  
WITH REGULATOR



COMPLETE METER INSTALLATION  
SIDE INLET - SIDE OUTLET  
LOW PRESSURE



STAND ALONE  
INLET LOOP



Richards Manufacturing Co. Sales Inc. 517 Lyons Ave, Irvington, NJ 07111