



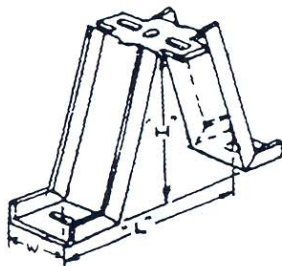
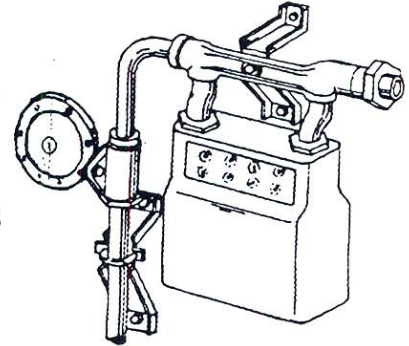
Richards Manufacturing Company Sales Inc.

# METER SET SUPPORT BRACKETS

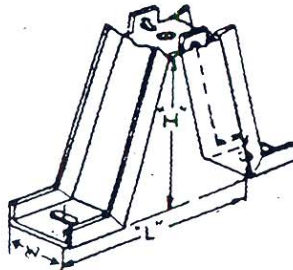
## KEEP YOUR METER INSTALLATIONS LOOKING GOOD AND PERFORMING PROPERLY

### RICHARDS METER BRACKETS

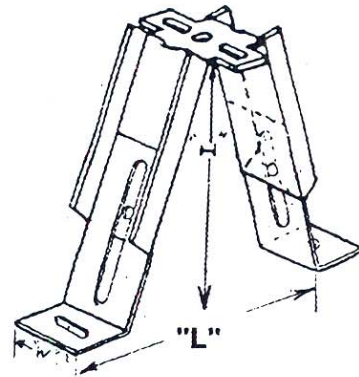
- ✓ PREVENT PROBLEMS DUE TO GROUND SETTLEMENT
- ✓ SUPPORT METERS AND ASSOCIATED PIPING
- ✓ PREVENT POSSIBLE LEAKS AND COSTLY CALL BACKS



STYLE A



STYLE B



STYLE C - Adjustable

Meter brackets can be packaged with a "U" bolt for mounting on service risers and with hardware for meter bar attachment. Brackets can also be provided with various hardware for wall mounting. Please specify hardware required when ordering. Brackets are factory painted or may be provided galvanized or zinc electroplated.

STYLE	DESCRIPTION	PART #	H	L	W
A	FLAT TABS, RISER OR BAR MOUNT	BR-F	5 3/4"	7 1/2"	2 1/4"
B	TABS UP, BAR MOUNT	BR-U	5 3/4"	7 1/2"	2 1/4"
C	ADJUSTABLE	BR-A	7 1/2" -14"	9" - 14"	2 1/4"

Richards Manufacturing Co. Sales Inc. 517 Lyons Ave, Irvington, NJ 07111